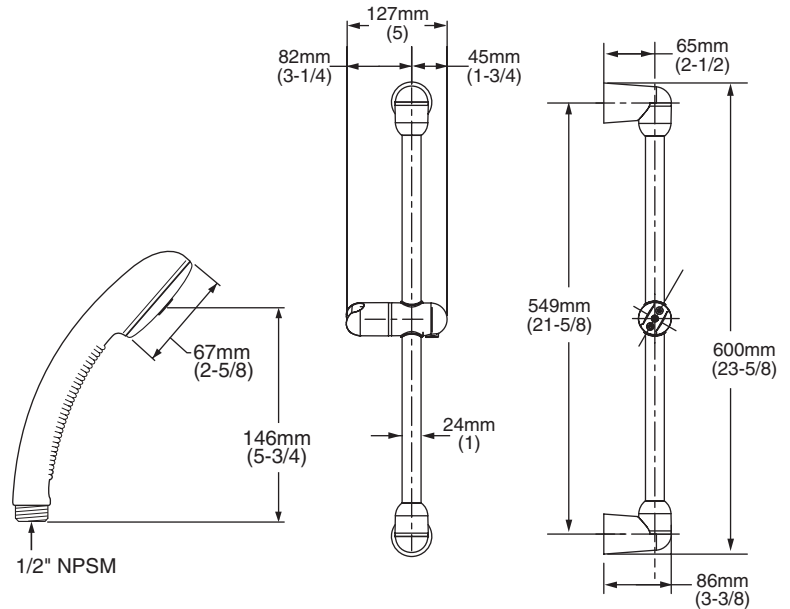
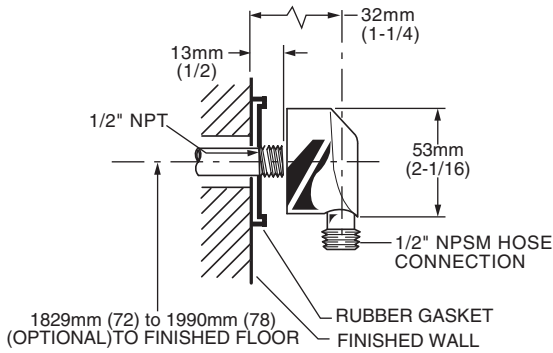


**MODEL NUMBER:**

☐ **1662.602 Shower System Kit**

Includes:

- |                      |          |
|----------------------|----------|
| • Fixed Handshower   | 1660.505 |
| • Hose               | 8888.035 |
| • Wall Supply        | 8888.037 |
| • Standard Slide Bar | 1660.225 |



**GENERAL DESCRIPTION:**

Complete personal shower system includes: a wall supply with 1/2" NPT female inlet, 1/2" NPSM male outlet; a 59" (1500mm) shower hose; a "Fixed" personal shower; and a 25" Slide Bar. Fixed handshower with 2.5 gpm/9.5L/min. flow restrictor. Slide bar features an adjustable shower holder which can be set at any height or position along the bar and angle up to 45°.

**PRODUCT FEATURES:**

**PERSONAL SHOWER:**

**Lightweight, Ergonomic Design:** For a sure grip even with wet, soapy hands.

**SLIDE BAR:**

**Simple Height Adjustment:** Allows positioning of the personal shower anywhere along the bar.

**SUGGESTED SPECIFICATION:**

Shower system shall feature a wall supply with 1/2" NPT female inlets, 1/2" NPSM male outlet, 59" hose, personal shower and a 25" Standard Slide Bar. Fitting shall be American Standard Model # 1662.602.\_\_\_\_.

---

**CODES AND STANDARDS**

Install as required to comply with local code requirements.

**ASME A112.18.1**

Product Number	Description	Finish
		Polished Chrome
1662.602*	Shower System Kit. Contains "Fixed" handshower, hose, wall supply and slide bar.	002

\*NOTE: Mounting brackets are available for corner installations (repair part# 030787-YYY0A).