

NEWBERN™ VANITY TOP

- 7820.400** Faucet holes on 4" centers
- 7820.800** Faucet holes on 8" centers

- Seamless one piece design made from Fine Fire Clay
- Interior Oval bowl design
- Includes 1" backsplash
- Fits most standard 30" vanities
- Pre-drilled for 4" and 8" faucet holes
- Includes safety overflow design



Nominal Dimensions:

31-1/8" x 22" (791 x 581 mm)

Bowl sizes:

16" (406mm) wide

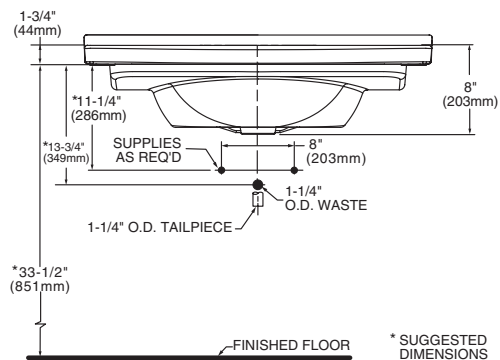
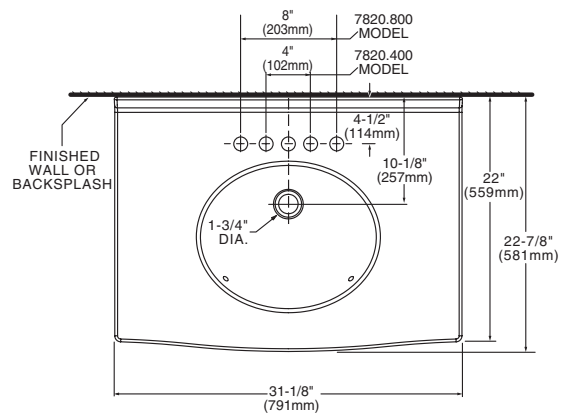
13" (330mm) front to back

6-1/2" (165mm) deep

Compliance Certifications -

Meets or Exceeds the Following Specifications:

- ASME A112.19.9M



To Be Specified

- Faucet:
- Faucet Finish:
- Supplies:
- Trap:

* See faucet section for additional models available

NOTES:

*DIMENSIONS SHOWN FOR LOCATION OF SUPPLIES AND *P* TRAP ARE SUGGESTED.

FITTINGS NOT INCLUDED WITH FIXTURE AND MUST BE ORDERED SEPARATELY.

FOR COUNTERTOP CUTOUT AND INSTALLATION INSTRUCTIONS USE TEMPLATE SUPPLIED WITH SINK.

IMPORTANT: Dimensions of fixtures are nominal and may vary within the range of tolerances established by ANSI Standard A112.19.2.

These measurements are subject to change or cancellation. No responsibility is assumed for use of superseded or voided pages.