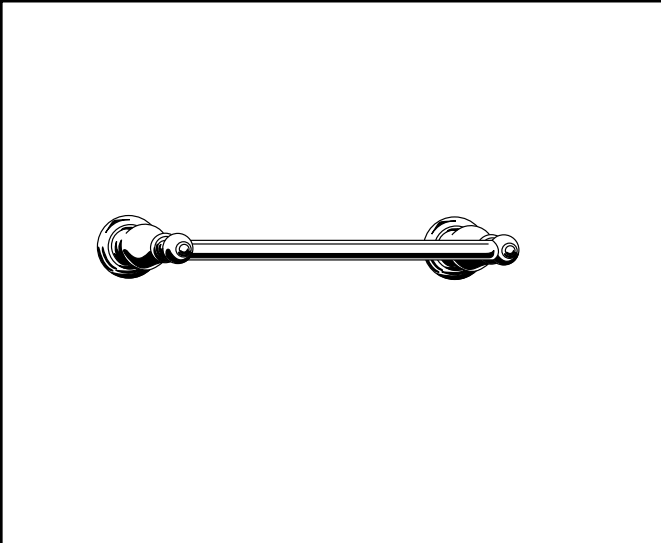


American Standard

Prairie
Field™
BATH ACCESSORIES
TOWEL BAR



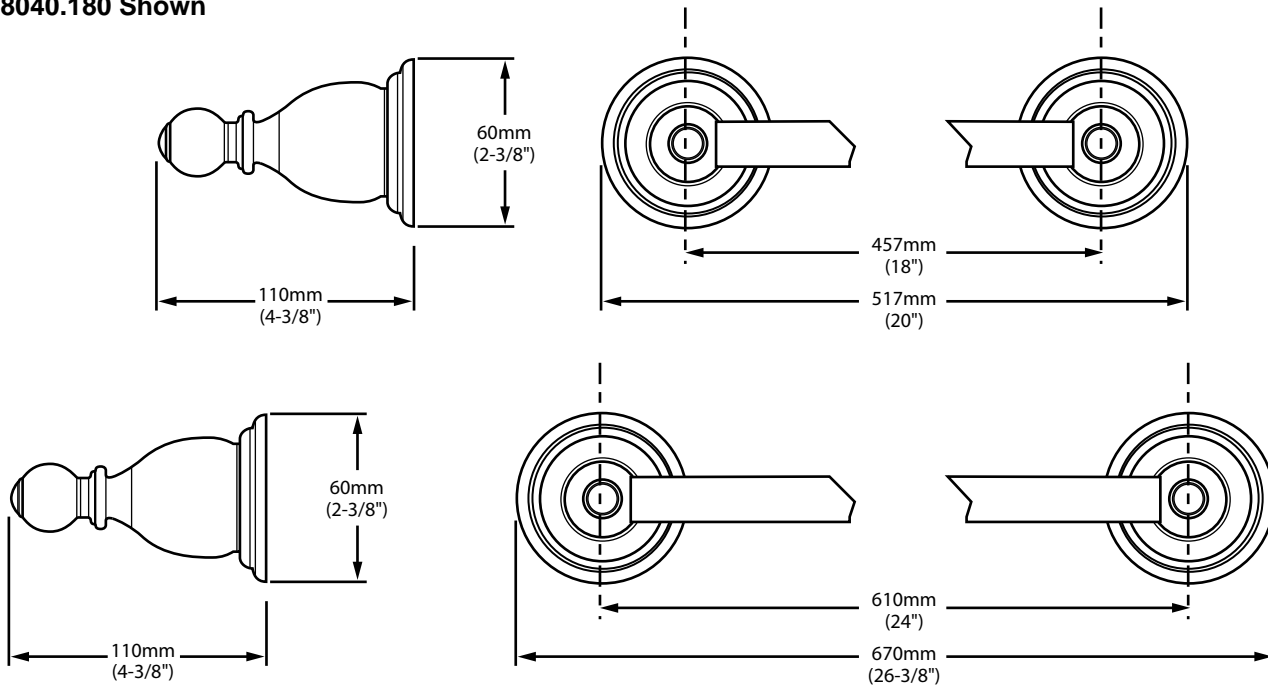
MODEL NUMBER:

- 8040.180 18" Towel Bar
- 8040.240 24" Towel Bar

Available Finishes

.228	Polished Chrome w/extra PVD Polished Brass accents
.234	PVD Satin w/extra Polished Chrome accents
.246	PVD Satin w/extra PVD Polished Brass accents
.099	PVD Polished Brass

8040.180 Shown



PRODUCT FEATURES:

Heavy duty construction: Highest quality materials for durability & long life.

Concealed Mounting: No exposed set screws.

Materials of Construction: Towel bar tube - 1.0 mm thick brass. Body and escutcheon - zinc.

Easy to Install

Choice of Finishes: To match Chrome, PVD Brass and PVD Satin finishes. PVD finish on all Polished Brass and Satin components will never tarnish.

SUGGESTED SPECIFICATION:

18" and 24" Towel Bar shall feature heavy - duty construction with tarnish - free PVD finish on all Polished Brass and Satin components. Shall feature concealed mounting with no exposed set screws. 18" and 24" Towel Bar tube shall be 1.0 mm thick brass tube. Towel Bar shall be American Standard Model # 8040.____.____.