

American Standard

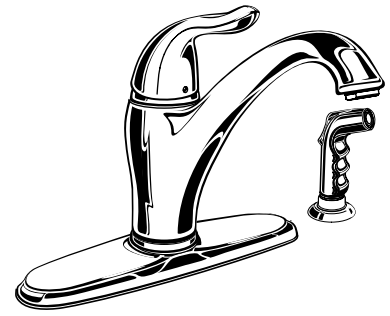
Installation Instructions

LAKELAND

SINGLE CONTROL KITCHEN FAUCET WITH CAST SPOUT

4114.001

4114.003



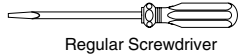
Certified to comply with ANSI A112.18.1M

M968469

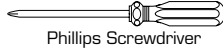
Thank you for selecting American-Standard...the benchmark of fine quality for over 100 years.

To ensure that your installation proceeds smoothly—please read these instructions carefully before you begin.

TOOLS REQUIRED



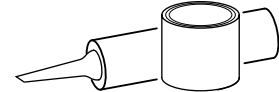
Regular Screwdriver



Phillips Screwdriver



Adjustable Wrench

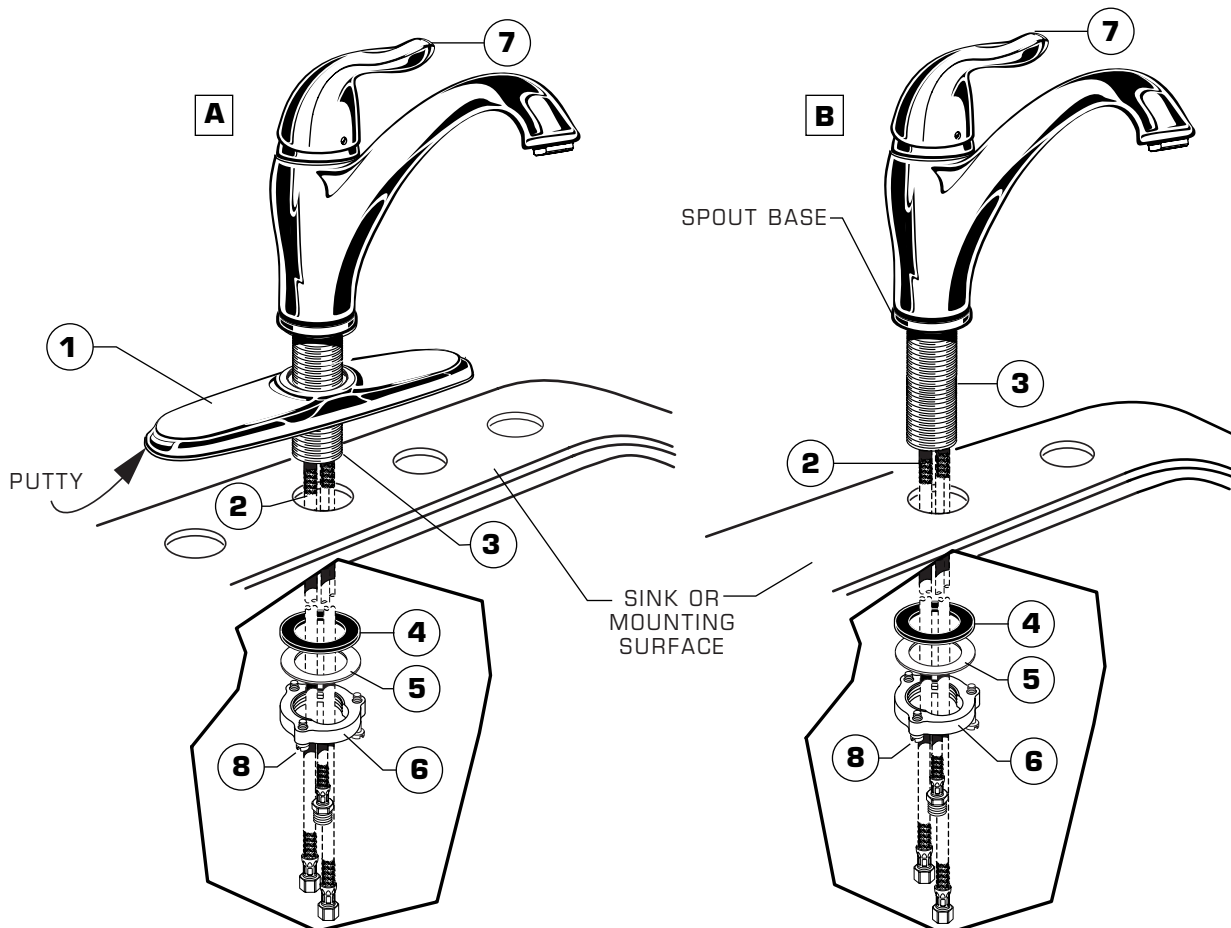


Plumbers' Putty or Caulking

1 INSTALL FAUCET WITH OR WITHOUT DECK ESCUTCHEON

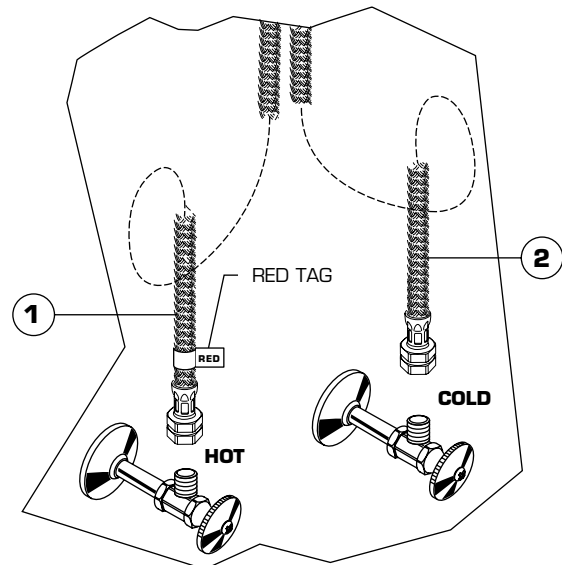
CAUTION Turn off hot and cold water supplies before beginning.

- **(A) Installation with ESCUTCHEON (1).** Apply a bead of putty to bottom edge of ESCUTCHEON with PUTTY PLATE (1). Insert supply HOSES (2) and SHANK (3) through hole of ESCUTCHEON with PUTTY PLATE (1) and mounting surface. Follow mounting instructions below to secure faucet to mounting surface.
- **(B) Installation less ESCUTCHEON (1).** Discard ESCUTCHEON with PUTTY PLATE (1). Insert supply HOSES (2) and SHANK (3) through mounting hole and seat SPOUT BASE onto sink or mounting surface. Do not use putty.
- Assemble RUBBER WASHER (4), BRASS WASHER (5), and threaded LOCKNUT (6) onto SHANK (3) from underside of sink or mounting surface. Hand tighten LOCKNUT (6) and check that rotation of HANDLE (7) from HOT to COLD is centered.
- Use a screwdriver to tighten SCREWS (8) on LOCKNUT (6). Work your way around LOCKNUT (6), tightening the screws slightly each time until all are snug to ensure even pressure.



2 MAKE WATER SUPPLY CONNECTIONS

- Turn off hot and cold water supplies before beginning.
- Connect FLEXIBLE SUPPLIES (1, 2) directly to wall supplies. Connection on fitting supplies are 3/8" compression. Connect left supply to Hot (Marked with a Red Tag) and right supply to Cold wall supply. Use adjustable wrench to tighten connections. Do not over tighten.
- Faucet supplies are 21" long from faucet base.
- **Note: If additional supply length is required, installer must purchase additional parts separately.**
- **Important: If SUPPLY HOSES (1, 2) are too long, loop as illustrated to avoid kinking.**

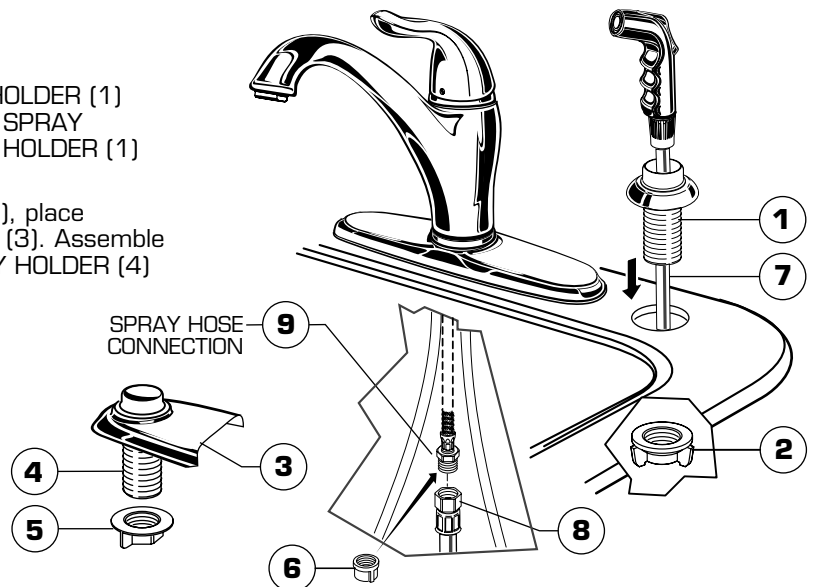


3 INSTALL SPRAY HOLDER

- On model with separate spray, place the SPRAY HOLDER (1) into the appropriate mounting hole. Assemble the SPRAY HOLDER WING NUT (2) onto the shank of SPRAY HOLDER (1) from below and hand tighten. **Do not use putty.**
- On model with spray through the ESCUTCHEON (3), place SPRAY HOLDER (4) into the hole of ESCUTCHEON (3). Assemble SPRAY HOLDER NUT (5) onto the shank of SPRAY HOLDER (4) from below and hand tighten. **Do not use putty.**
- For installation less spray, cap off SPRAY HOSE CONNECTION (9) with PIPE CAP (6).

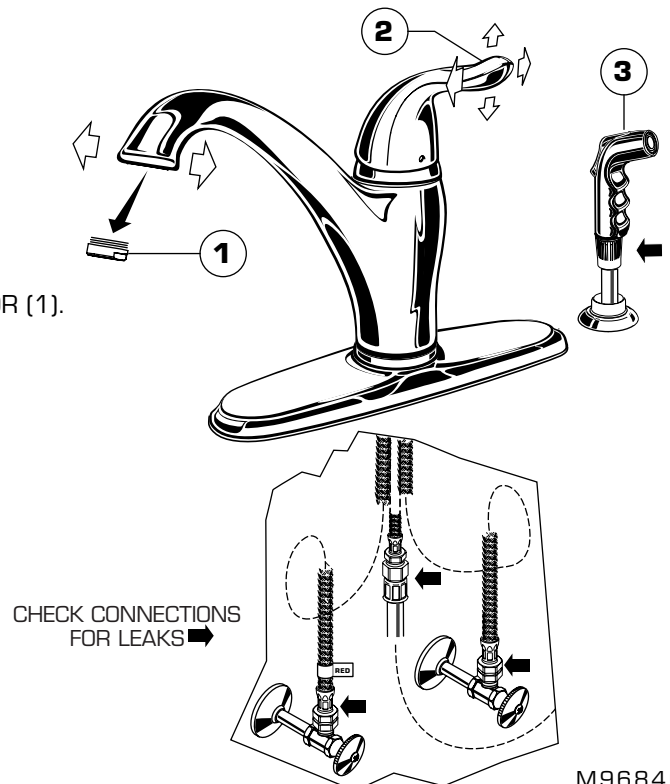
CONNECT HOSE SPRAY

- Feed SPRAY HOSE (7) through SPRAY HOLDER (1) and attach COUPLING NUT (8) of HOSE (7) to SPRAY HOSE CONNECTION (9) on valve body. Tighten COUPLING NUT (8) firmly.



4 TEST INSTALLED FAUCET

- Move HANDLE down into "off" position and remove AERATOR (1).
- Turn on water supplies and check connections for leaks. ➡
- Operate HANDLE (2) up and down, left and right to flush water lines thoroughly.
- For faucet with spray, direct SPRAY HEAD (3) into sink and activate SPRAY (3). Check hose connections for leaks. ➡
- Move HANDLE (2) down to "off" position and replace AERATOR (1).



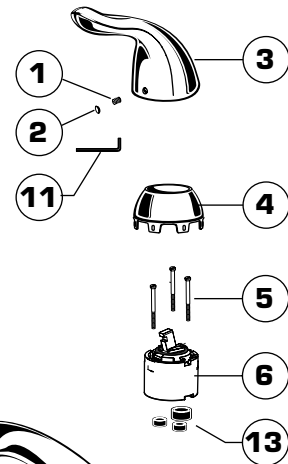
5

SERVICE

Reduced flow. If the flow gradually reduces over a number of months, the AERATOR (12) may have collected debris. To clean, remove AERATOR (12) and rinse with water and remove any debris. Turn on faucet to wash any debris out of the faucet. Thread AERATOR (12) back into spout. Operate faucet.

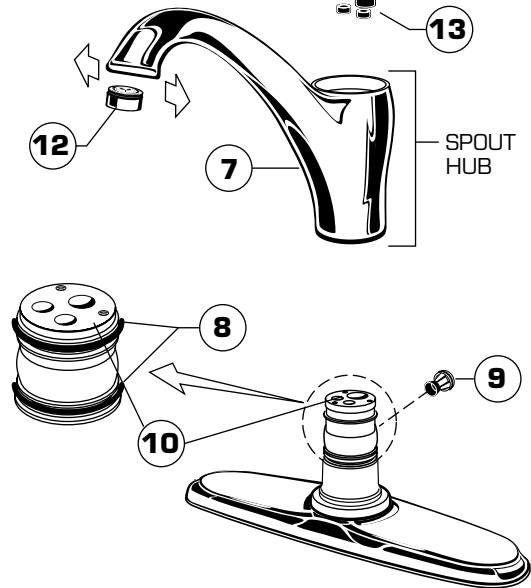
■ **Spout leakage.** If fitting leaks above or below SPOUT HUB remove SPOUT as follows and check SPOUT O-RINGS. First turn off water supply.

- Remove HANDLE BUTTON (2) and loosen SET SCREW (1) with 2.5mm HEX WRENCH (11) supplied. Pull HANDLE (3) off valve stem.
- Pull off CAP (4). Loosen CARTRIDGE SCREWS (5) and remove CARTRIDGE (6).
- Remove SPOUT (7) by pulling up gently while moving SPOUT (7) side to side.
- Check both SPOUT O-RINGS (8) for damage. Replace if necessary.
- On models with SPRAYS, DIVERTER (9) can be cleaned by pulling DIVERTER (9) out of the MANIFOLD (10). Rinse clean the DIVERTER (9) and MANIFOLD (10). Push DIVERTER (9) back into MANIFOLD (10).
- Reverse procedure to reinstall SPOUT, CARTRIDGE and HANDLE.



■ **Clogged CARTRIDGE outlets or inlets may cause reduced flow.** To clean, first turn off water supply then:

- Remove PLUG BUTTON (2), loosen HANDLE SCREW (1) and remove HANDLE (3).
- Remove ESCUTCHEON CAP (4). unscrew the three CARTRIDGE SCREWS (5). Clean MANIFOLD (10), CARTRIDGE (6) ports and SEALS (13).
- Clean inlets of CARTRIDGE (6) and MANIFOLD (10).
- Reassemble CARTRIDGE (6), alternately tightening SCREWS (5). Replace CAP (4) and HANDLE (3). Check flow.



6

CARE INSTRUCTIONS

■ To keep your new faucet looking new, please follow these simple care instructions:

DO: ■ Simply rinse the faucet clean with clear water.
■ Dry the faucet with a soft cotton cloth.

DO NOT:

■ Do not use any abrasive cleaners, cloths, or paper towels.
■ Do not use any cleaning agents containing acids, polish abrasives, or harsh cleaners or soaps.

■ Regular and routine cleaning will reduce the need for heavy cleaning and polishing. If heavy cleaning is required, the following procedures are recommended:

■ Remove as much surface dirt and film using clear water and soft cotton cloth (as described).

■ Use any of the following to remove tough surface film and build-up:

- Mild liquid detergents
- Clear ammonia free liquid glass cleaners
- Non-acidic, non-abrasive gentle liquid or fully dissolved powder cleansers mixed according to manufacturers directions.
- Non-abrasive liquid polishers

■ Once clean, rinse faucet again with clear water to thoroughly remove cleaner or polish and blot dry with a cotton cloth.

Failure to follow these care instructions may damage the faucet's finish.

American Standard

**LAKELAND
SINGLE CONTROL KITCHEN
FAUCET WITH CAST SPOUT**

MODEL NUMBERS

**4114.001
4114.003**

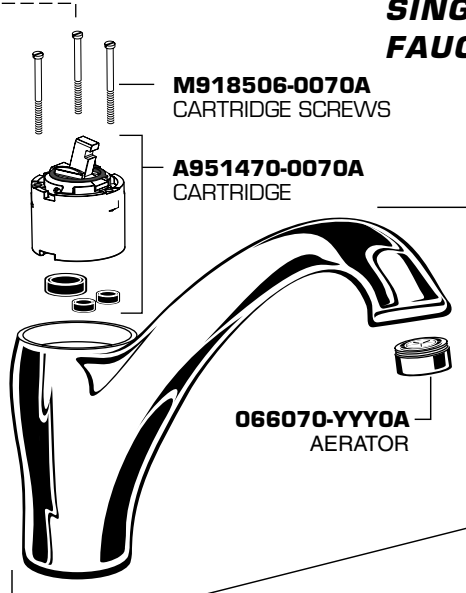


M962294-0070A
BUTTON AND
SCREW KIT



M962338-YYY0A
HANDLE KIT

A907086-YYY0A
ESCUTCHEON CAP

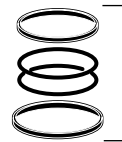


M918506-0070A
CARTRIDGE SCREWS

A951470-0070A
CARTRIDGE

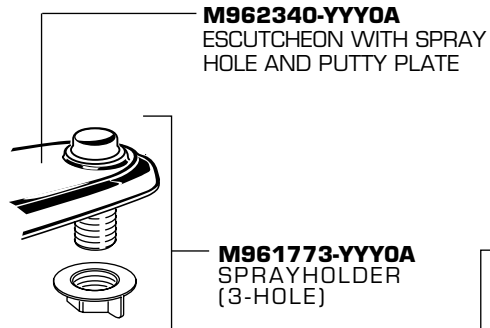
066070-YYY0A
AERATOR

M962296-YYY0A
SPOUT KIT



M962297-0070A
SPOUT SEAL KIT

042850-0070A
DIVERTER



M962340-YYY0A
ESCUTCHEON WITH SPRAY
HOLE AND PUTTY PLATE

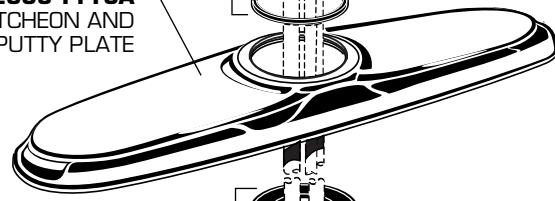
M961773-YYY0A
SPRAY HOLDER
(3-HOLE)

M907552-YYY0A
ESCUTCHEON

M962298-0070A
SPACER AND SEAL

M962339-YYY0A
ESCUTCHEON AND
PUTTY PLATE

M953667-YYY0A
HANDSPRAY & HOSE



M962146-0070A
MOUNTING KIT

M953040-YYY0A
SPRAY HOLDER

Replace the "YYY" with appropriate finish code

CHROME	002
SATIN	295

060341-0070A
PIPE CAP



HOT LINE FOR HELP
For toll-free information and answers to your questions, call:
1-800-442-1902
Weekdays 8:00 a.m. to 8:00 p.m. EST
IN CANADA 1-800-387-0369 (TORONTO 1-905-306-1093)
Weekdays 8:00 a.m. to 7:00 p.m. EST

Product names listed herein are trademarks of American Standard Inc.
© American Standard Inc. 2004

M968469