

American Standard

Prairie Field™

Installation Instructions

8040.050 8040.061

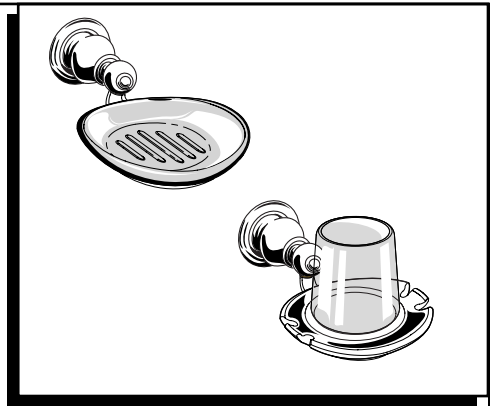
SOAP DISH TUMBLER/TOOTHBRUSH HOLDER

Thank you for selecting American-Standard...the benchmark of fine quality for over 100 years.

To ensure that your installation proceeds smoothly—please read these instructions carefully before you begin.

Certified to comply with ANSI A112.18.1

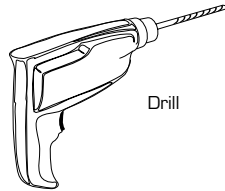
M968299A



Recommended Tools



Tape Measure



Drill



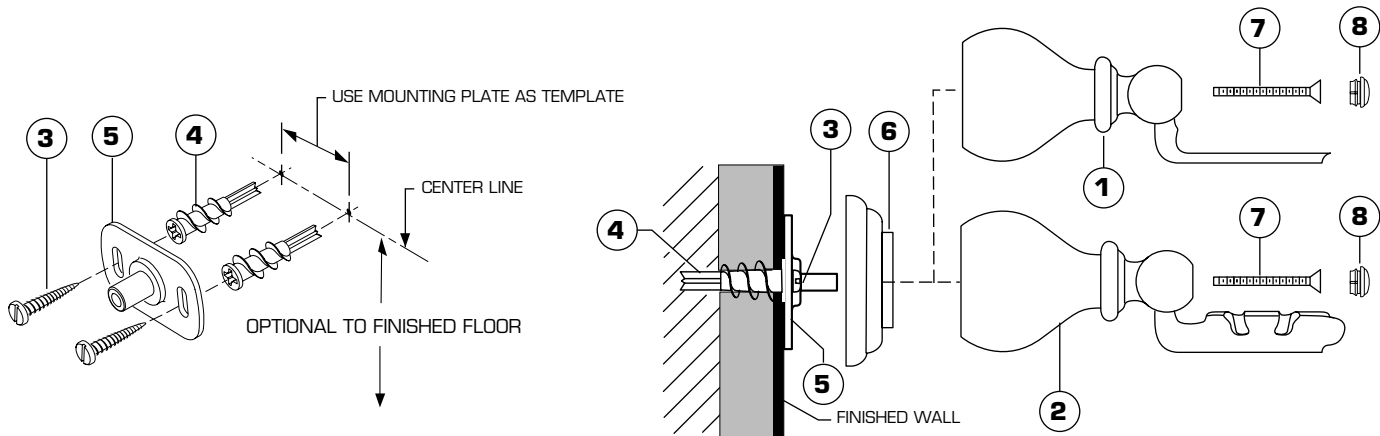
Regular Screwdriver



#2 Phillips Screwdriver

1 SOAP DISH and TUMBLER/TOOTHBRUSH HOLDER INSTALLATION

- The SOAP DISH (1) and TUMBLER/TOOTHBRUSH HOLDER (2) work best if secured to a wall stud or cross brace within the wall, using the SCREWS (3) supplied.
- Determine desired height and location (optional) and mark a center line. Using the MOUNTING PLATE (5) as a template mark the two spots for the mounting holes. If MOUNTING PLATE (5) is secured to a stud or cross brace drill small pilot holes for SCREWS (3).
- **For installations on drywall**, use ANCHORS (4) and SCREWS (3) for securing MOUNTING PLATE (5) to wall. Place #2 Phillips screwdriver or cordless screwdriver into recess of anchor. Press into drywall while turning the anchor clockwise until it is seated flush with the wall. Place MOUNTING PLATE (5) over ANCHOR (4) and insert SCREWS (3) with #2 Phillips screwdriver. See illustration below. Secure MOUNTING PLATE (5) to wall with SCREWS (3).
- **For installations on tiled walls**, pre drill a 1/4" hole through the tile only. **Do not drill into the drywall.** Use ANCHORS (4) and SCREWS (3) for securing MOUNTING PLATE (5) to tiled wall. Place #2 Phillips screwdriver or cordless screwdriver into recess of anchor. Press into drywall while turning the anchor clockwise until it is seated flush with the tiled wall. Place MOUNTING PLATE (5) over ANCHORS (4) and insert SCREWS (3) with #2 Phillips screwdriver. See illustration below. Secure MOUNTING PLATE (5) to wall with SCREWS (3).
- Install the WALL ESCUTCHEON (6) onto MOUNTING PLATE (5). Place the BODIES (1,2) on the WALL ESCUTCHEON (6). Align and secure with ATTACHMENT SCREW (7). Push in INDEX BUTTON (8) into BODIES (1, 2). Place SOAP DISH and TUMBLER into their HOLDER to complete installation.



2 CARE INSTRUCTIONS:

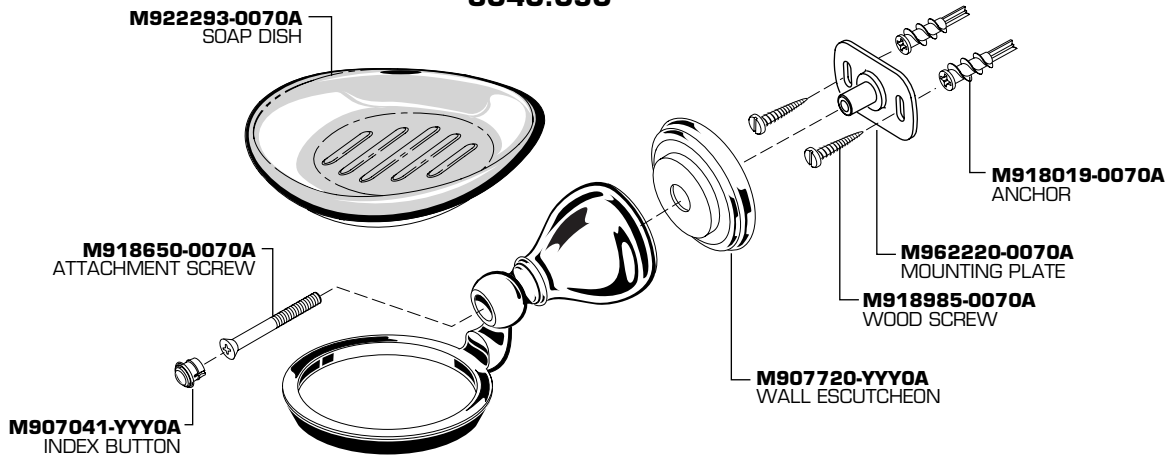
- **DO: SIMPLY RINSE THE PRODUCT CLEAN WITH CLEAR WATER. DRY WITH A SOFT COTTON FLANNEL CLOTH.**
- **DO NOT: DO NOT CLEAN THE PRODUCT WITH SOAPS, ACID, POLISH, ABRASIVES, HARSH CLEANERS, OR A CLOTH WITH A COARSE SURFACE.**

SOAP DISH TUMBLER/TOOTHBRUSH HOLDER

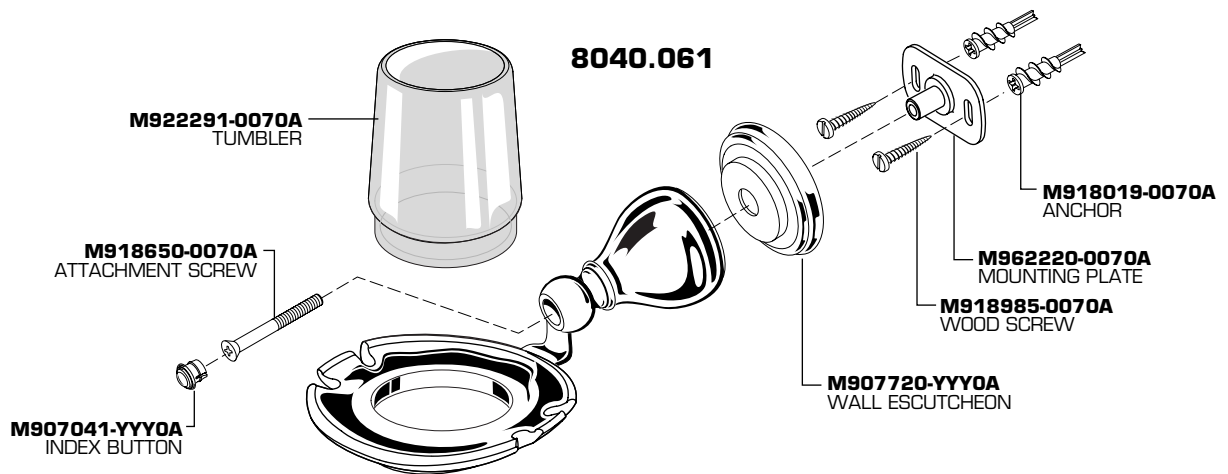
MODEL NUMBERS

8040.050
8040.061

8040.050



8040.061



Replace the "YYY" with appropriate finish code

CHROME	002
POLISHED BRASS	099
SATIN	234
SATIN	246



HOT LINE FOR HELP

For toll-free information and answers to your questions, call:
1-800 442-1902
Weekdays 8:00 a.m. to 8:00 p.m. EST

IN CANADA 1-800-387-0369 (TORONTO 1-905-306-1093)
Weekdays 8:00 a.m. to 7:00 p.m. EST

Product names listed herein are trademarks of American Standard Inc.
© American Standard Inc. 2003