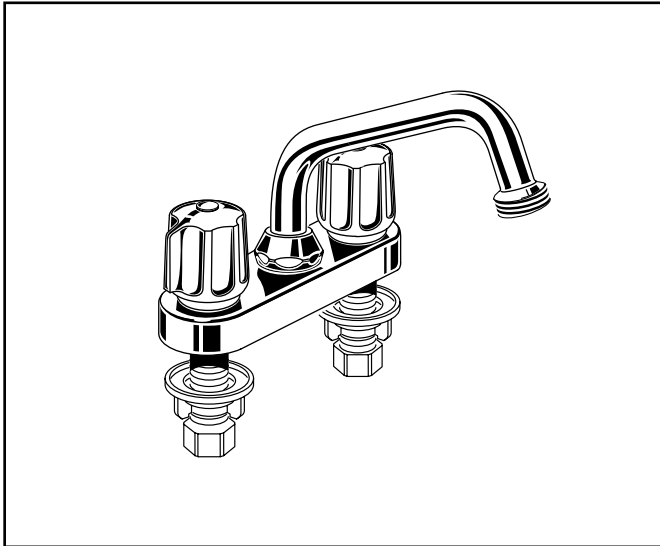


American Standard



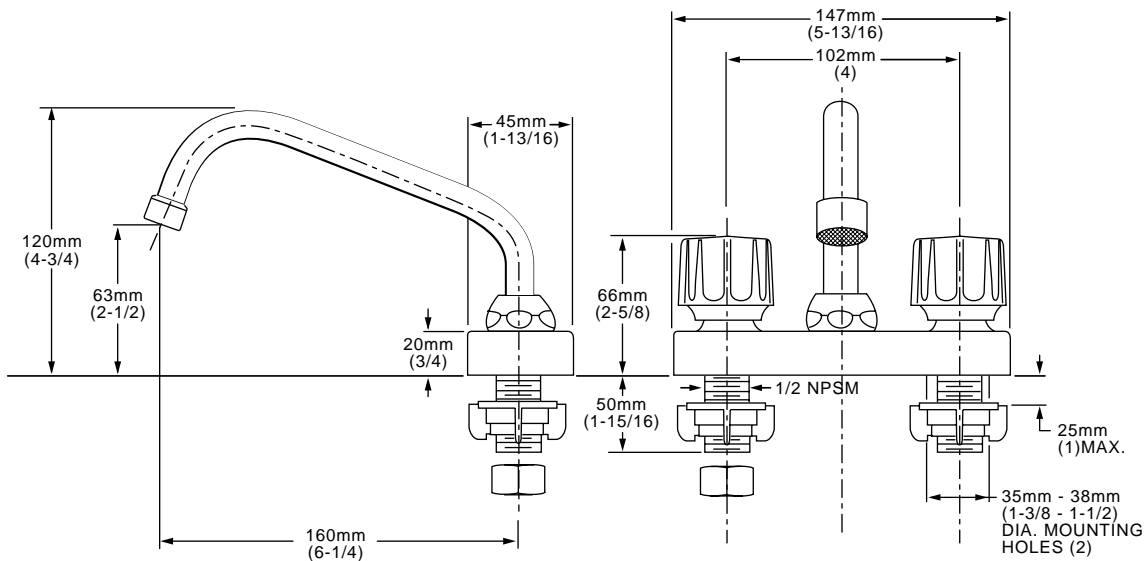
7573.140 Shown.

LAUNDRY

TWO-HANDLE LAUNDRY FAUCET WITH BRASS SWING SPOUT

MODEL NUMBER:

- 7573.140 Laundry Faucet**
Hose end. Metal Knob handles.
- 7573.240 Laundry Faucet**
Aerator. Metal Knob handles.



GENERAL DESCRIPTION:

4" centerset laundry faucet with compression valving. Cast brass construction. 1/2" male threaded inlet shanks with brass coupling nuts. Brass swing spout. Brass handles with red and blue color indicators. Available with hose end or aerator with 2.2gpm/8.3L/min. maximum flow rate.

PRODUCT FEATURES:

Solid Brass Construction: Excellent in high use applications. Ideal for prolonged contact with water.

Compact Design: For tight areas.

Brass Swivel Spout: Durable and functional. Simplifies laundry tasks.

Choice of Spout End: Hose end or aerator.

SUGGESTED SPECIFICATION:

Two handle 4" centerset laundry faucet shall feature cast brass construction. Valve shall be a compression type. Swing spout shall be brass. Fitting shall be American Standard Model # 7573._____.



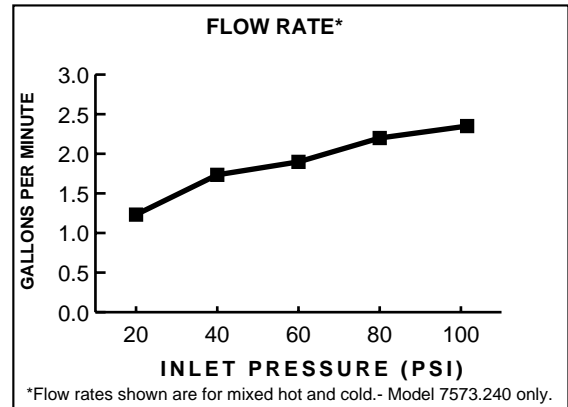
LAUNDRY

TWO-HANDLE LAUNDRY FAUCET WITH BRASS SWING SPOUT

CODES AND STANDARDS

These products meet or exceed the following codes and standards:

ASME A112.18.1



Product Number	Description	Finish
		Polished Chrome
7573.140	Laundry faucet. Hose end. Brass knob handles.	002
7573.240	Laundry faucet. Aerator. Brass knob handles.	