

Owner's Manual PIVOT SHOWER DOORS

Showerte

American Standard
Style That Works Better

Thank you for selecting our product...the benchmark of fine quality for over 100 years. To ensure that your installation proceeds smoothly--please read these instructions carefully before you begin.

Record Model Number _____

710007-100

BEFORE YOU BEGIN...

Local building codes vary by location. Observe all local plumbing and building codes.

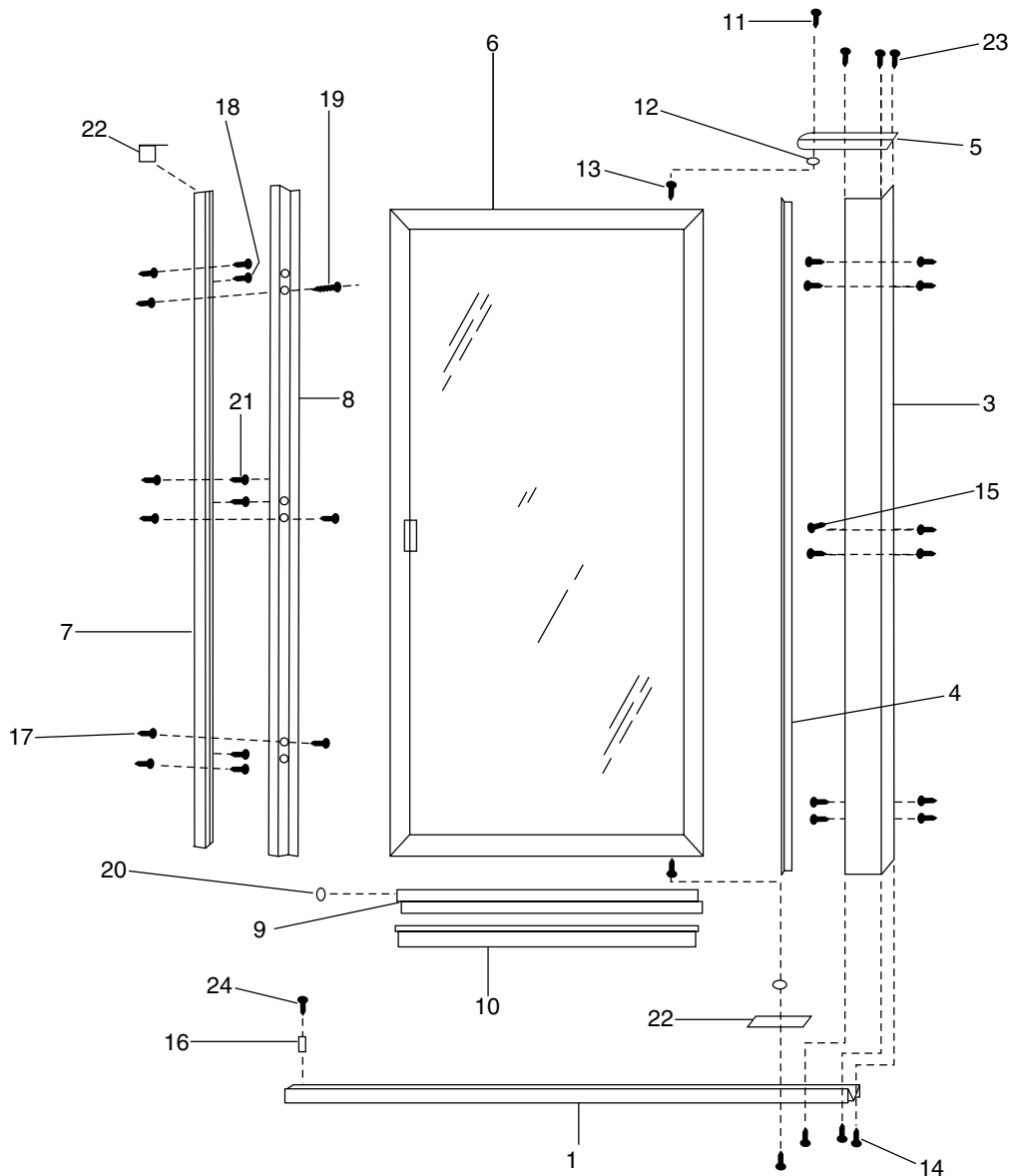
Unpack your new shower doors and inspect them carefully for damage. Verify that the doors are the correct size for your installation.

TOOLS & MATERIALS REQUIRED...

• Tape Measure • Electric Drill • Level • Phillips and Flat Screwdrivers • Drill Bits 1/8" & 3/16" • Hacksaw • Silicone Caulk

IMPORTANT: Record the Model No. (see carton) of your shower or tub enclosure for future reference. Model No. _____

READ THE INSTRUCTIONS CAREFULLY: Familiarize yourself with all the parts as shown in the exploded view. The exploded view will also provide a helpful reference when relating the location of the various parts and how they are mounted.

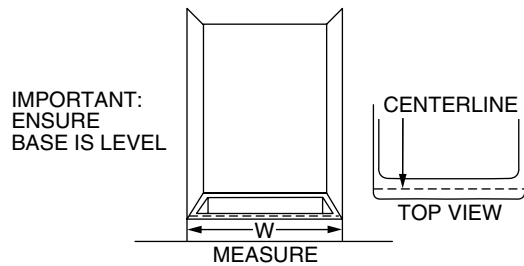


1 INSTALLATION PROCEDURES:

Determine side at which the door will pivot (left or right). The pivot side should be opposite the showerhead.

Measure width of the opening at the centerline of bottom.

NOTE: This door swings out only. Verify door will clear any obstructions before installing.



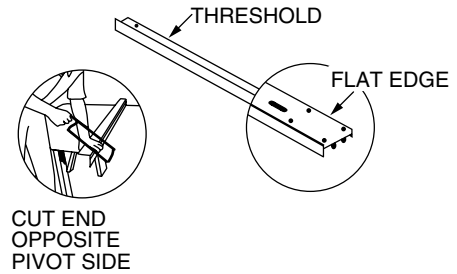
Record Measurement: W = _____ inches

2

Flat edge of threshold should face inside of shower.

Identify end of threshold which will be pivot side.

Mark the **OPPOSITE** end for drilling. Cut threshold to size W measured in step 1.

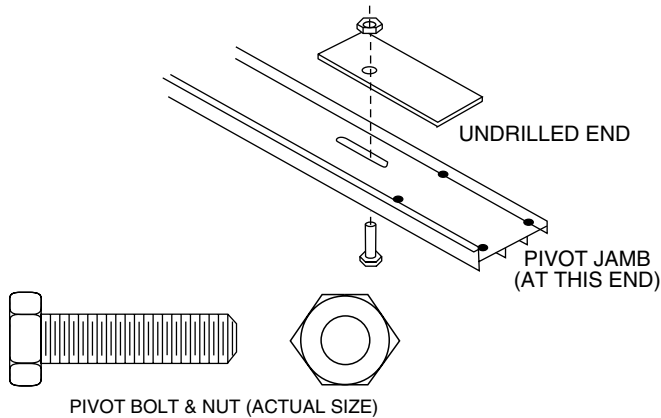


For best results use a 32-tooth hacksaw blade and a miter box.

3

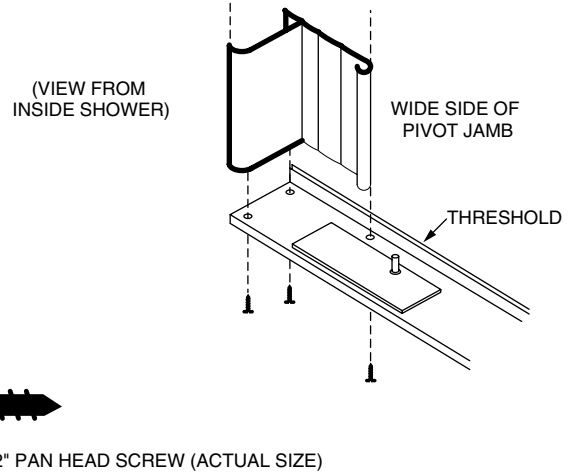
Position pivot plate on threshold with undrilled end of plate toward pivot jamb.

Bolt pivot plate in place using pivot bolt and 1/4" nut.



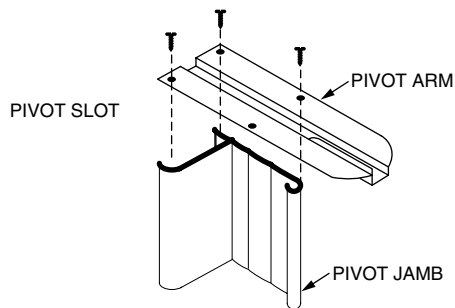
4

Mount threshold to pivot jamb using three #8 x 1/2" pan head screws. The wide side of the pivot jamb fits inside front lip of the threshold.



5

Attach top pivot arm to top of the pivot jamb using three #8 x 5/8" Phillips head screws. (Ensure pivot jamb fits in slot in pivot arm).

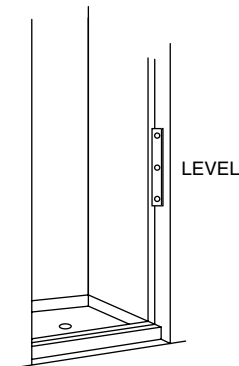


6

Position assembled pivot jamb to wall with threshold centered on the shower base.

Mark holes in jamb for drilling.

Use a level to ensure jamb is plumb.

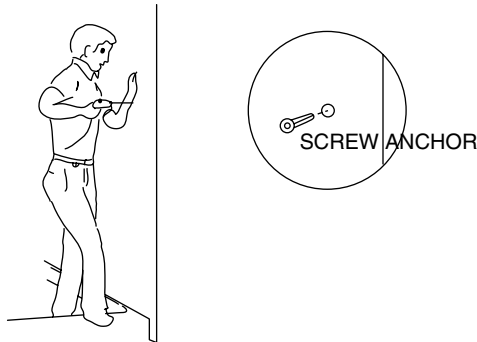


7

Remove pivot jamb with threshold. Drill six holes using a 3/16" drill bit. (Use a masonry bit for ceramic tile.)

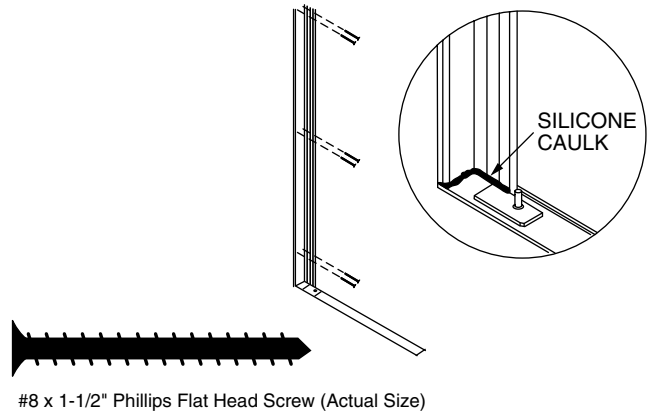
Insert one screw anchor in each hole.

NOTE: When drilling into fiberglass or plastic walls, use a 1/8" drill bit and do not use screw anchors.

**8**

Apply 1/4" bead of silicone caulk where bottom of pivot jamb and threshold meet (see inset detail).

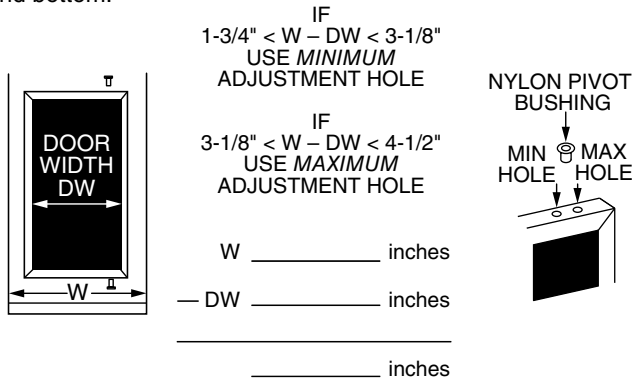
Mount assembled pivot jamb to wall using six #8 x 1-1/2" flat head screws.



#8 x 1-1/2" Phillips Flat Head Screw (Actual Size)

9

Subtract door panel width DW from length W in step 1. If difference is from 1-3/4" to 3-1/8" use the minimum hole. If difference is from 3-1/8" to 4-1/2" use maximum hole. Insert one nylon pivot bushing in each of selected holes top and bottom.

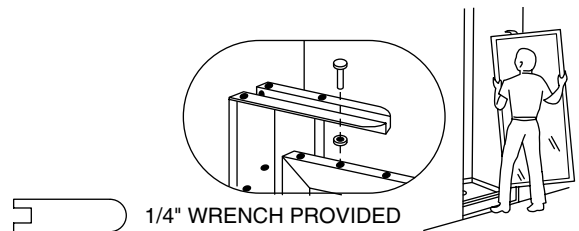
**10**

Install door by mating bottom pivot bolt with nylon pivot bushing.

Align door with top pivot arm and insert pivot bolt through arm into 1/4" nut, and then into corresponding nylon pivot bushing.

Adjust door by sliding it in pivot slot top and bottom to allow 1-3/8" to 1-7/8" of space between wall and magnet side of door when in closed position.

Tighten nut against pivot arm for proper tension using 1/4" wrench.



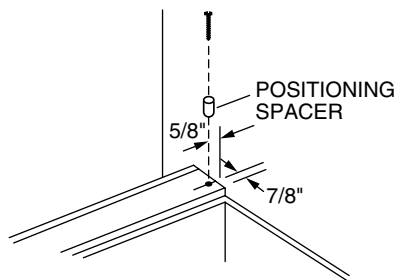
1/4" WRENCH PROVIDED

11

On side opposite pivot jamb, drill a 1/8" hole in threshold located 5/8" from wall and 7/8" from flat edge of threshold.

Fasten positioning spacer to threshold using one #8 x 1" pan head screw.

For doors with narrow strikes (e.g. Model #804NS) positioning spacer is not necessary. Instead mark a line 7/8" in from flat edge and parallel to it. Center adjustment rail over this line when installing in step #12.



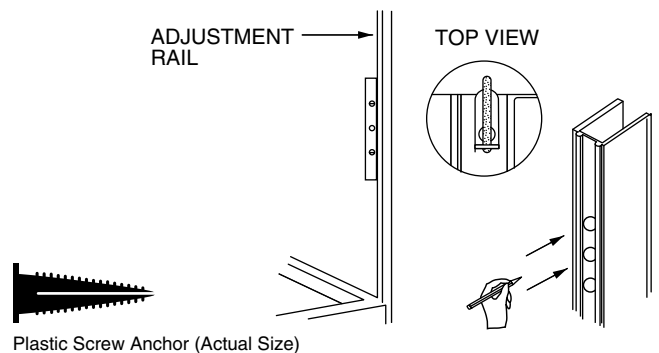
#8 x 1" Pan Head Screw (Actual Size)

12

Temporarily secure threshold with masking tape at strike side. Ensure an even distance between edge of threshold and front of the base.

Locate adjustment rail over positioning spacer and against wall (you may reverse rail to mark holes). Use a level to plumb adjustment rail.

Mark hole location of the large holes only. Remove rail. Drill six 3/16" diameter holes then insert wall anchors.



Plastic Screw Anchor (Actual Size)

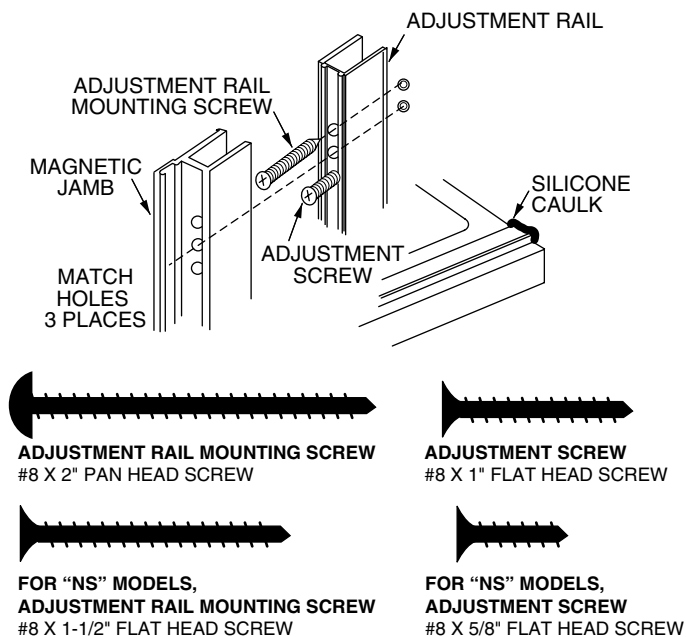
13

Remove debris and clean threshold & base.

Caulk end of threshold at wall per detail.

Match holes in magnetic jamb with holes in adjustment rail to determine which mounting hole is for adjustment rail only.

Remove magnetic jambs and mount adjustment rail to wall using three #8 x 2" pan head screws. To adjust magnetic jamb for out of plumb wall conditions, insert adjustment screws (three #8 x 1" pan head screws) as shown.

**14**

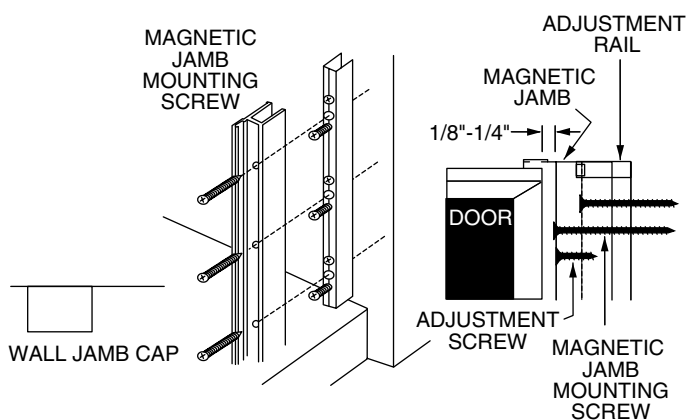
Place magnetic jamb over adjustment rail with magnetic strip facing to outside of shower.

Close door and adjust magnetic jamb to allow 1/8" to 1/4" clearance between magnetic jamb and door panel.

NOTE: If magnets repel each other, remove and reverse.

To adjust magnetic jamb for clearance or plumb, remove magnetic jamb and reposition adjustment screws. Once magnetic jamb is in desired position, secure with mounting screws. The door may also be adjusted by loosening the 1/4" nut, aligning strike side of door and re-tightening door.

Install wall jamb cap by snapping in place at top of adjustment rail. Trim with knife. For narrow strike models, cut cap at mark with a utility knife.

**15**

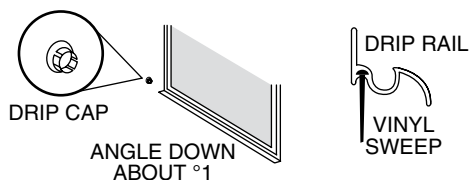
Clean bottom rail.

Cut vinyl sweep the same length as drip rail. Insert sweep into groove in drip rail.

Position drip rail on inside of doorframe 1/8" up from bottom edge and set 1/2" from each outside edge. The drip rail must be adjusted so that it angles down towards pivot side and does not hit threshold or doorjamb when door is closed.

Mark the proper location and then remove backing from tape and press drip rail in place. Apply a small dab of silicone into the strike end of the drip rail before inserting plastic plug.

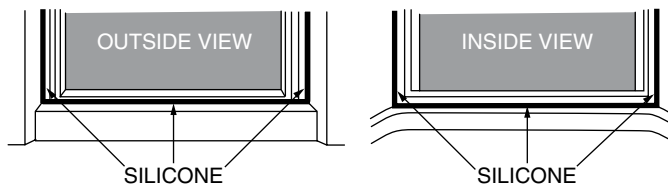
Note: Allow 24 hours for adhesive to cure before using shower.

**16**

Caulk where wall jamb meets wall for entire height of unit on both inside and outside of shower.

Caulk where threshold meets base on outside of unit only.

Allow 24 hours for silicone to cure before using shower.



HOW TO CARE FOR YOUR ENCLOSURE Do not use scouring powder, pads or sharp instruments on metal or glass panels. Occasionally wipe with mild detergent diluted in water to keep the panels and metal parts looking new. Use squeegees following each shower to eliminate water spots on the inside of the glass panels.

HOW TO ORDER REPLACEMENT PARTS

Provide the following information to your Dealer.

1. Part Name
2. Part Number
3. Part Description (Length, Size, Color, etc.)
4. Model Number

Key No.	Part Name	Part No.	NS Model Only	Qty
1	THRESHOLD	EX130	EX130	1
2	PIVOT PLATE	EX131	EX131	1
3	PIVOT JAMB	EX132	EX132	1
4	VINYL STRIP	PVS1	PVS1	1
5	PIVOT ARM	EX133	EX133	1
6	DOOR PANEL	MODEL #	MODEL #	1
7	ADJUSTMENT RAIL	EX122	EX120	1
8	MAGNETIC JAMB	EX123M	EX121M	1
9	DRIP RAIL	2482T	2482T	1
10	VINYL SWEEP	PVS2	PVS2	1
11	PIVOT BOLT	1/4-20 BOLT	1/4-20 BOLT	2
12	1/4" NUT	1/4-20 NUT	1/4-20 NUT	2

Key No.	Part Name	Part No.	NS Model Only	Qty
13	NYLON PIVOT BUSHING	B530	B530	2
14	#8 x 1/2" PAN HEAD SCREW	812-P	812-P	3
15	#8 x 1-1/2" FLAT HEAD SCREW	8112-F	8112-F	6
16	POSITIONING SPACER	FW269	FW269	1
17	SCREW ANCHOR	PSA1	PSA2	12
18	#8 x 1" FLAT HEAD SCREW	81-F	858-F	3
19	#8 x 2-1/2" FLAT HEAD SCREW	8212-F	82-F	3
20	PLASTIC PLUG	DCP1	DCP2	1
21	#8 x 2" PAN HEAD SCREW	82-P	8112-F	3
22	WALL JAMB CAP	WJC	WJC	1
23	#8 x 5/8" FLAT HEAD SCREW	858-F	858-F	3
24	#8 x 1" PAN HEAD SCREW	81-P	81-P	1

Showerite

American Standard

Style That Works Better

AS AMERICA, INC. LIMITED LIFETIME WARRANTY FOR SHOWER DOORS

AS America, Inc. ("American Standard") warrants to the **original consumer purchaser** that it will, at its sole option, repair or replace this product or any part of this product, if it confirms that the product is defective in materials or workmanship under normal use and maintenance for the lifetime of this product.

This warranty does not apply to commercial installations. Commercial installations shall have a limited warranty of 3 year(s).

This limited warranty DOES NOT COVER the following:

1. Defects or damage arising from shipping, installation, alterations, accidents, abuse, misuse, lack of proper maintenance and use of other than genuine American Standard replacement parts, in all cases whether caused by a plumbing contractor, service company, the owner or any other person.
2. Deterioration through normal wear and tear.
3. **HARD WATER DAMAGE, OR DAMAGES RESULTING FROM ABUSE OR MISUSE OR FROM FAILURE TO INSTALL OR MAINTAIN THIS PLUMBING PRODUCT IN ACCORDANCE WITH THE WRITTEN INSTRUCTIONS FURNISHED BY AS AMERICA, INC.**
4. **USE OF CLEANING PRODUCTS CONTAINING CALCIUM HYPO CHLORITE (CHLORINE), SCOURING POWDERS OR PADS SHALL NOT BE COVERED.**
5. **THE USE OF SCENTED CANDLES IN CLOSE PROXIMITY WITH THIS PRODUCT CAN RESULT IN PERMANENT STAINING OF THE FINISH.**
6. Expense of normal maintenance.
7. All costs of removal, transportation, labor, reinstallation or other costs including postage and/or shipping costs to obtain warranty service shall be paid by the consumer.
8. **ANY LIABILITY FOR CONSEQUENTIAL OR INCIDENTAL DAMAGES, ALL OF WHICH ARE HEREBY EXPRESSLY DISCLAIMED. ANY IMPLIED WARRANTIES, INCLUDING THOSE OF MERCHANTABILITY OR FITNESS FOR PURPOSE INTENDED ARE SPECIFICALLY EXCLUDED.** (Some jurisdictions do not allow limitations on how long an implied warranty lasts, or the exclusion or limitation of incidental or consequential damages, so these limitations and exclusions may not apply to you.)
9. Responsibility for compliance with local code requirements ARE EXCLUDED FROM THIS WARRANTY. (Since local code requirements vary greatly distributors, dealers, installation contractors and users of plumbing products should determine whether there are any code restrictions on the installation or use of a specific product.)

This limited warranty gives you specific legal rights. You may have other statutory rights that vary from state to state or from province to province, in which case this limited warranty does not affect such statutory rights.

For service under this warranty, it is suggested that a claim be made through the contractor or dealer from or through whom the product was purchased, or that a service request (including a description of the product model and of the defect) be sent to the following with proof of purchase or original receipt:

AS America, Inc.
P.O. Box 659
West Caldwell, NJ 07007

Attention: Customer Care Center Customer Care by telephone: 1-800-442-1902

Showerite

American Standard

Style That Works Better

GARANTÍA LIMITADA DE POR VIDA DE AS AMERICA, INC. PARA PUERTAS DE DUCHA

AS America, Inc. ("American Standard") le garantiza al **comprador original** que reparará o reemplazará, si lo estima conveniente, este producto o cualquiera de sus piezas, si confirma que el producto tiene defectos de materiales o de mano de obra según el uso y mantenimiento normales, durante toda la vida de este producto.

Esta garantía no se aplica a instalaciones comerciales. Las instalaciones comerciales tendrán una garantía limitada de 3 años.

Esta garantía limitada NO CUBRE lo siguiente:

1. Defectos o daños que surjan del envío, la instalación, alteraciones, accidentes, abuso, uso indebido, falta de mantenimiento correcto y uso de piezas que no sean repuestos originales de American Standard en todos los casos, ya sea causados por un contratista de plomería, una empresa de servicios, el propietario o cualquier otra persona.
2. Deterioro por desgaste y uso normal.
3. **DAÑOS POR AGUAS DURAS O DAÑOS RESULTANTES DE ABUSO O USO INDEBIDO O POR NO HABER INSTALADO O REALIZADO EL MANTENIMIENTO DE ESTE PRODUCTO DE PLOMERÍA DE ACUERDO CON LAS INSTRUCCIONES ESCRITAS PROPORCIONADAS POR AS AMERICA, INC.**
4. **EL USO DE PRODUCTOS DE LIMPIEZA CON HIPOCLORITO DE CALCIO (CLORO), POLVOS O ESPONJAS DE LIMPIEZA ABRASIVOS NO ESTARÁ CUBIERTO.**
5. **EL USO DE VELAS AROMÁTICAS DEMASIADO CERCA DE ESTE PRODUCTO PUEDE PRODUCIR MANCHAS PERMANENTES EN EL ACABADO.**
6. Gastos de mantenimiento normal.
7. Todos los costos de remoción, transporte, mano de obra, reinstalación u otros costos, incluso gastos de franqueo y/o envío para obtener servicio de garantía serán pagados por el consumidor.
8. **CUALQUIER RESPONSABILIDAD CIVIL POR DAÑOS INDIRECTOS O INCIDENTALES, TODOS LOS CUALES QUEDAN EXPRESAMENTE EXCLUIDOS POR EL PRESENTE DOCUMENTO. CUALQUIER GARANTÍA IMPLÍCITA, INCLUSO LAS GARANTÍAS DE COMERCIABILIDAD O IDONEIDAD PARA UN PROPÓSITO PREVISTO, QUEDA ESPECÍFICAMENTE EXCLUIDA.** (Algunas jurisdicciones no permiten limitaciones con respecto a la vigencia de una garantía implícita o la exclusión o limitación de daños incidentales o indirectos, de modo que estas limitaciones y exclusiones pueden no corresponderle.)
9. La responsabilidad por el cumplimiento de requisitos de códigos locales QUEDA EXCLUIDA DE ESTA GARANTÍA. (Como los requisitos de códigos locales varían ampliamente, los distribuidores, concesionarios, contratistas instaladores y usuarios de productos de plomería deben determinar si existe alguna restricción en los códigos con respecto a la instalación o al uso de un producto específico.)

Esta garantía limitada le otorga derechos legales específicos. Los derechos estatales que usted pueda tener y que varían de un estado a otro o de una provincia a otra, no quedan afectados por esta garantía limitada.

Para obtener servicio bajo esta garantía, se sugiere que se reclame por medio del contratista o el concesionario a quien o mediante quien se adquirió el producto, o que se envíe una solicitud de servicio (incluyendo una descripción del modelo del producto y del defecto) a los siguientes junto con un comprobante de compra o el recibo original:

AS America, Inc.
P.O. Box 659
West Caldwell, NJ 07007
Atención: Servicio al cliente

Servicio al Cliente por teléfono: 1-800-442-1902