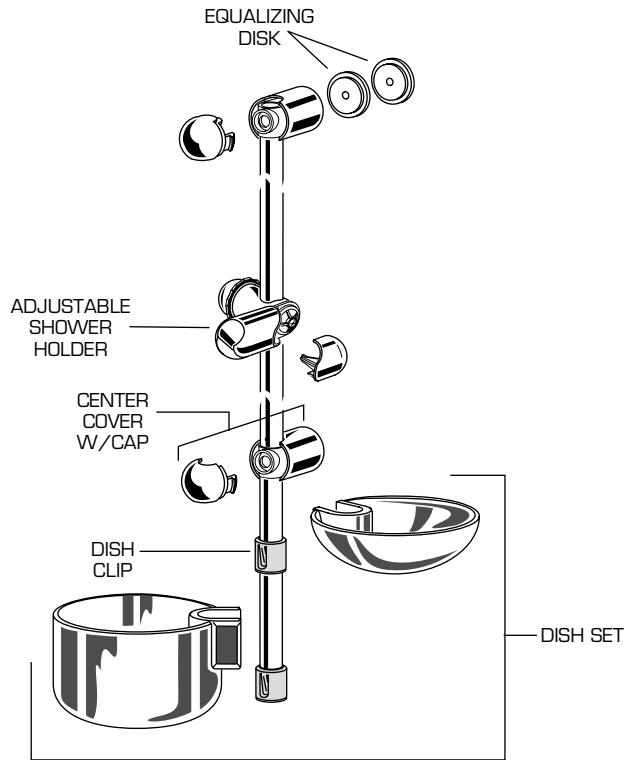


# American Standard

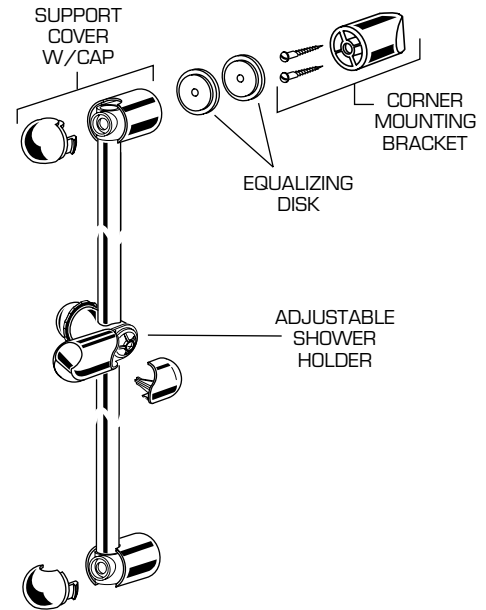
## AMARILIS PERSONAL SHOWER SYSTEMS

### MODEL NUMBERS

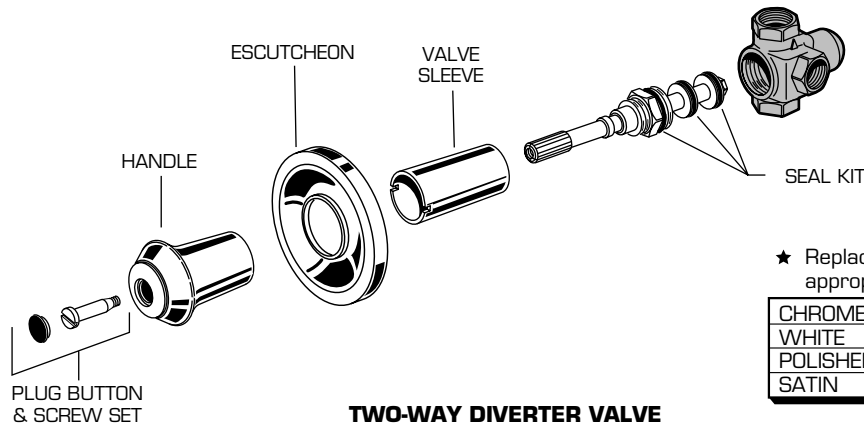
**1660.225 SERIES  
1660.232 SERIES  
1660.236 SERIES  
1660.420 SERIES**



**DELUXE SLIDE BAR**



**SLIDE BAR**



**TWO-WAY DIVERTER VALVE**

★ Replace the "YYY" with appropriate finish code

CHROME	002
WHITE	020
POLISHED BRASS	099
SATIN	295

REPAIR PARTS	DESCRIPTION	PART NUMBER ★	PKG QTY
Slide Bars	Corner Mounting Bracket	030787-YYYOA	1 Pair
	Adjustable Shower Holder	030788-YYYOA	1
	Support Cover w/Cap	030789-YYYOA	1 Set
	Center Cover w/Cap	030794-YYYOA	1 Set
	Dish Set	030795-007OA	1 Set
	Dish Clip	A911229-007OA	1
	Equalizing Disk	030796-YYYOA	2
Two-Way Diverter Valve	Plug Button & Screw	030776-007OA	1 Set
	Seal Kit	030777-007OA	1
	Handle	030778-YYYOA	1
	Escutcheon	030779-YYYOA	1
	Valve Sleeve	A911195-YYYOA	1