

American Standard

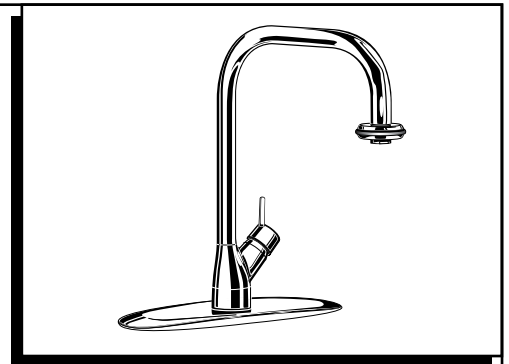
Culinaire™

**SINGLE CONTROL KITCHEN  
FAUCET WITH PULL DOWN SPRAY**

Thank you for selecting American-Standard...the benchmark of fine quality for over 100 years.

To ensure that your installation proceeds smoothly—please read these instructions carefully before you begin.

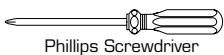
**Installation  
Instructions  
4147.300**



Certified to comply with ANSI A112.18.1M

M968210A

**TOOLS REQUIRED**



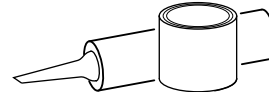
Phillips Screwdriver



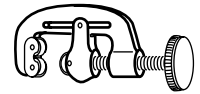
Channel Locks



Adjustable Wrench



Plumbers' Putty or Caulking



Tubing Cutter

**CARE INSTRUCTIONS:**

**DO: SIMPLY RINSE THE PRODUCT CLEAN WITH CLEAR WATER. DRY WITH A SOFT COTTON FLANNEL CLOTH.**

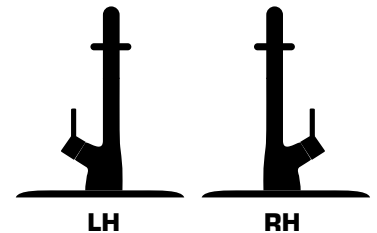
**DO NOT: CLEAN THE PRODUCT WITH SOAPS, ACID, POLISH, ABRASIVES, HARSH CLEANERS, OR A CLOTH WITH A COARSE SURFACE AS THESE PRODUCTS MAY DAMAGE THE FINISH.**

**1 INSTALL FITTING WITH OR WITHOUT  
DECK ESCUTCHEON**

**CAUTION**

Turn off hot and cold water supplies before beginning.

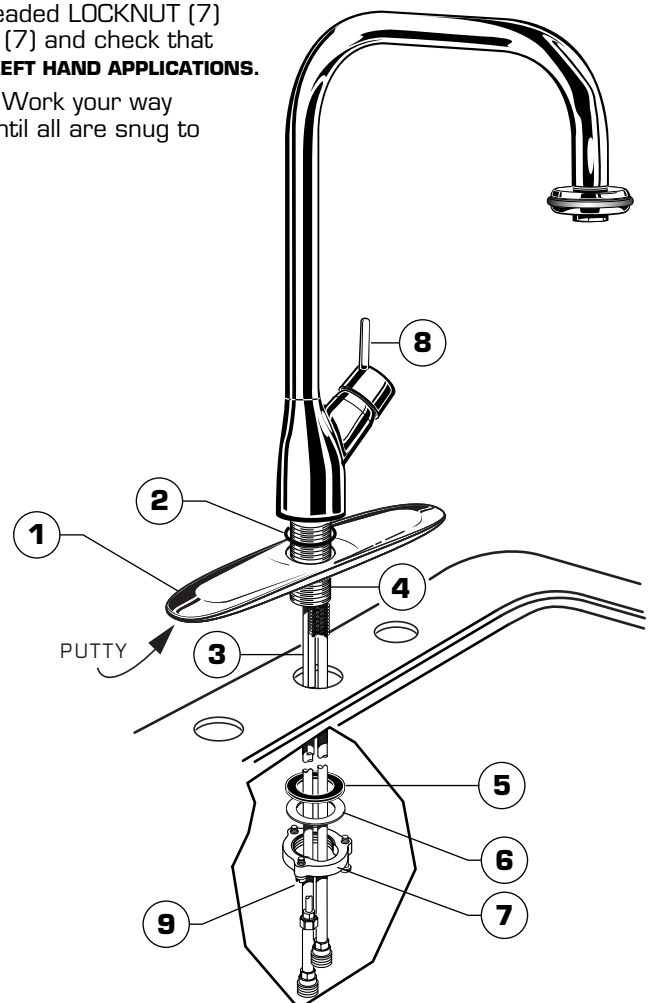
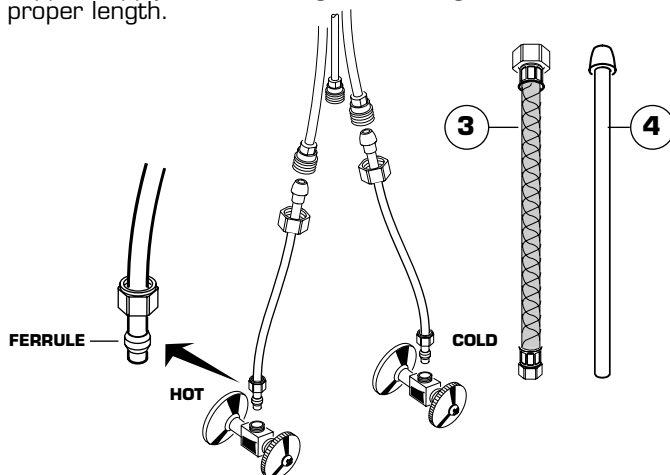
- Apply a bead of putty to bottom edge of ESCUTCHEON (1). **Note:** Installation of ESCUTCHEON (1) is optional.
- Make certain the large SEAL (2) is properly seated in recess of faucet body.
- Insert supply TUBES (3) and SHANK (4) through center hole of ESCUTCHEON (1) (if used) and sink.
- Assemble RUBBER WASHER (5), BRASS WASHER (6), and threaded LOCKNUT (7) onto SHANK (4) from underside of sink. Hand tighten LOCKNUT (7) and check that faucet is centered. **NOTE: FAUCET CAN BE INSTALLED FOR RIGHT OR LEFT HAND APPLICATIONS.**
- Use a screwdriver to tighten the SCREWS (9) on LOCKNUT (7). Work your way around LOCKNUT (7), tightening the screws slightly each time until all are snug to ensure even pressure.



**2 MAKE WATER SUPPLY CONNECTIONS**

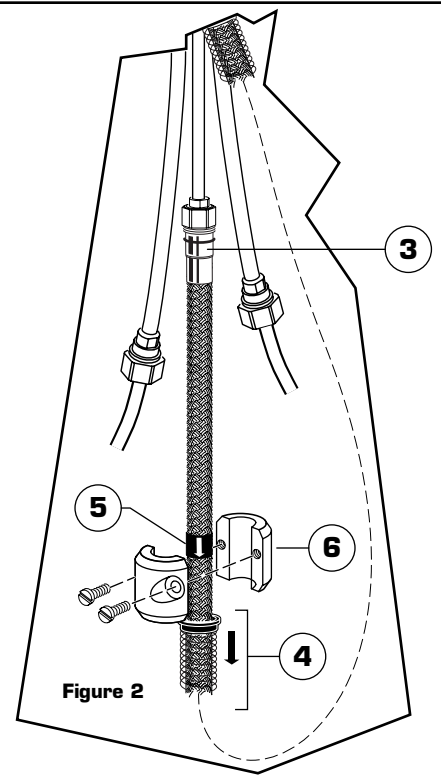
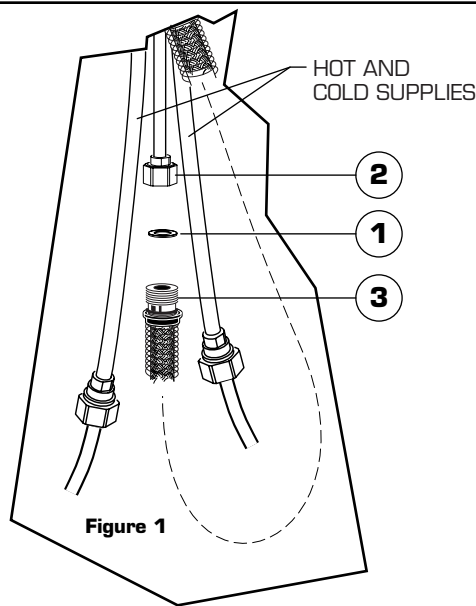
**NOTE: FLEXIBLE SUPPLIES HAVE TO BE PURCHASED SEPARATELY**

- Carefully bend COPPER SUPPLIES to meet water supply lines using the palms of the hands to avoid kinking.
- Connect HOT water supply line to left tube, and COLD water supply line to right tube using appropriate connectors.
- Use 1/2" IPS FLEXIBLE SUPPLIES (3) or 3/8" O.D. BULL-NOSE RISERS (4). Use adjustable wrench to tighten connections. Do not over tighten. Be careful not to kink copper supply when bending. Use tubing cutter to cut to proper length.



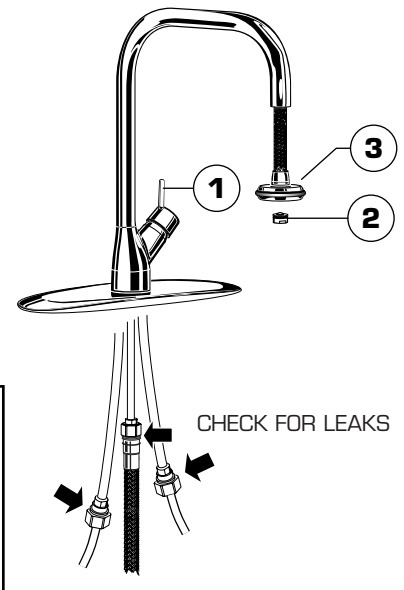
### 3 CONNECT HOSE SPRAY and INSTALL WEIGHT

- Insert SEAL WASHER (1) into spray COUPLING NUT (2). **Figure 1**
- Tighten COUPLING NUT (2) to SPRAY HOSE (3). **Figure 1**
- Retract SPRING (4) from threaded end of SPRAY HOSE (3) to expose TAPE with ARROW (5). **Figure 2**
- Position WEIGHT (6) even with the tape with ARROW (5) as shown. **Figure 2**



### 4 TEST INSTALLED FAUCET

- Move HANDLE (1) into "off" position and remove AERATOR (2).
- Turn on water supplies and check connections for leaks.
- Operate HANDLE (1) on and off, hot and cold to flush water lines thoroughly.
- Pull SPRAY (3) out and activate. Check hose and supply connections for leaks.
- Move HANDLE (1) to "off" position and replace SPRAY (3) and AERATOR (2).

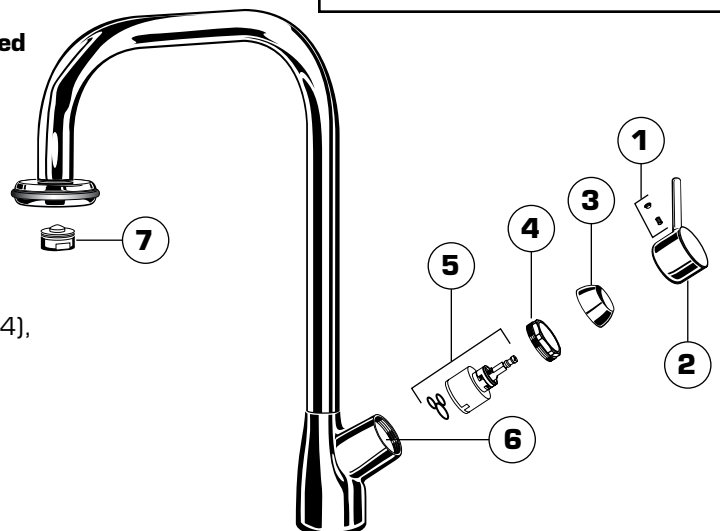


### 5 SERVICE

**Reduced flow.** If the flow should gradually be reduced over a number of months, the AERATOR may have debris in it. To clean, remove AERATOR (7) and rinse with water to remove any debris. Turn on faucet to wash any debris out of the faucet. Screw AERATOR (7) back into the spout. Operate faucet.

- **Clogged CARTRIDGE outlets or inlets may cause reduced flow.** To clean, first turn off water supply then:

- Remove BUTTON (1) and loosen HANDLE SCREW (1) and pull off HANDLE (2).
- Unscrew ESCUTCHEON CAP (3). Unscrew the CARTRIDGE NUT (4).
- Remove CARTRIDGE (5). Clean inlets of CARTRIDGE (5) and MANIFOLD (6).
- Reassemble CARTRIDGE (5). Replace CARTRIDGE NUT (4), CAP (3) and HANDLE (6) assembly, check flow.



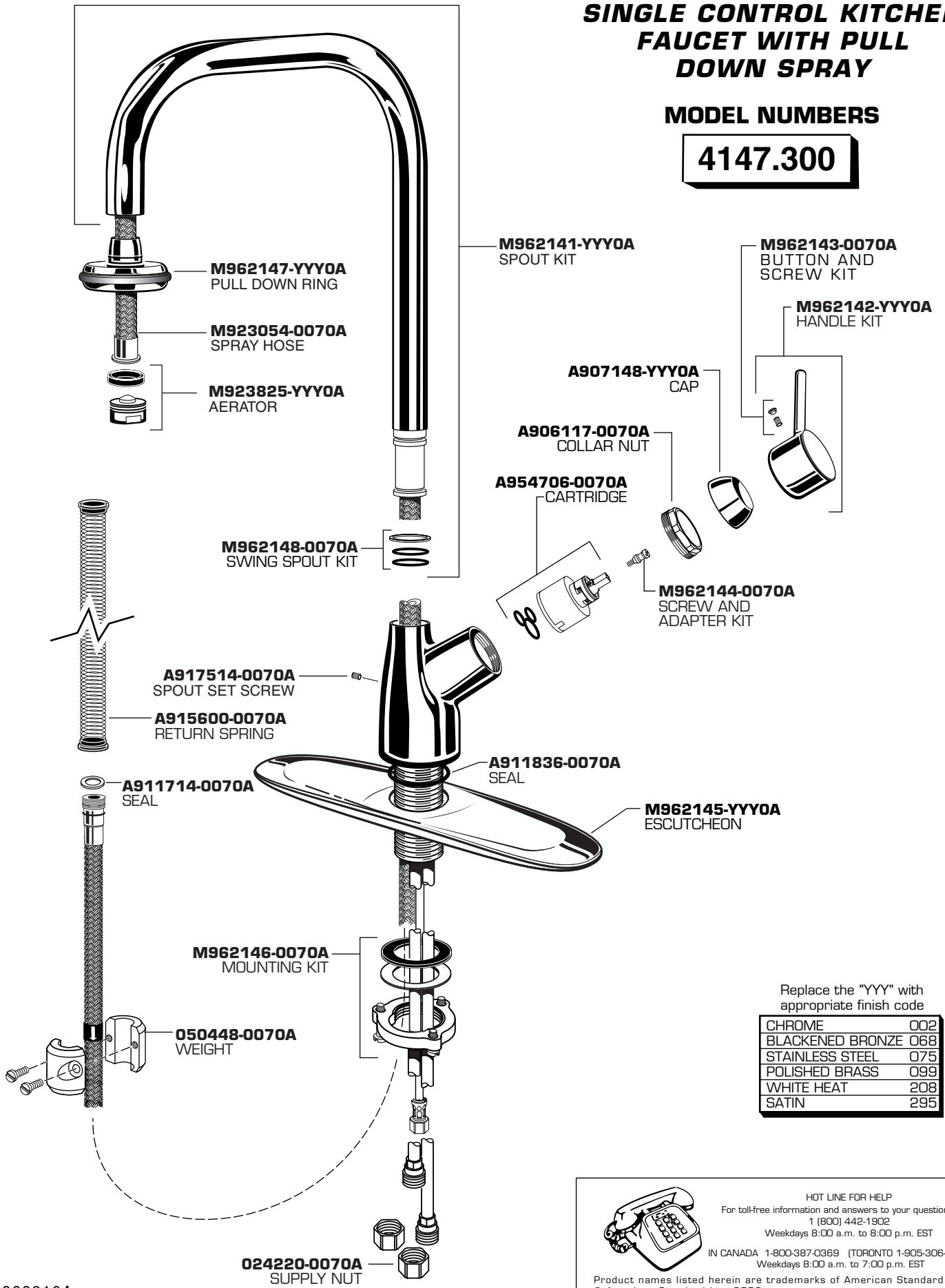
*American Standard*

**Culinaire™**

**SINGLE CONTROL KITCHEN  
FAUCET WITH PULL  
DOWN SPRAY**

**MODEL NUMBERS**

**4147.300**



Replace the "YYY" with appropriate finish code

CHROME	002
BLACKENED BRONZE	068
STAINLESS STEEL	075
POLISHED BRASS	099
WHITE HEAT	208
SATIN	295



HOT LINE FOR HELP

For toll-free information and answers to your questions, call:

1 (800) 442-1902

Weekdays 8:00 a.m. to 8:00 p.m. EST

IN CANADA 1-800-387-0369 (TORONTO 1-905-306-1093)

Weekdays 8:00 a.m. to 7:00 p.m. EST

Product names listed herein are trademarks of American Standard Inc.  
© American Standard Inc. 2002

M968210A