

Certified to comply with ANSI A112.18.1M  
M968470

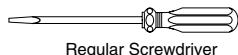
## LAKELAND SINGLE CONTROL KITCHEN PULL-OUT FAUCET

### 4114.100

Thank you for selecting American Standard...the benchmark of fine quality for over 100 years.

To ensure that your installation proceeds smoothly—please read these instructions carefully before you begin.

#### TOOLS REQUIRED



Regular Screwdriver



Phillips Screwdriver



Adjustable Wrench

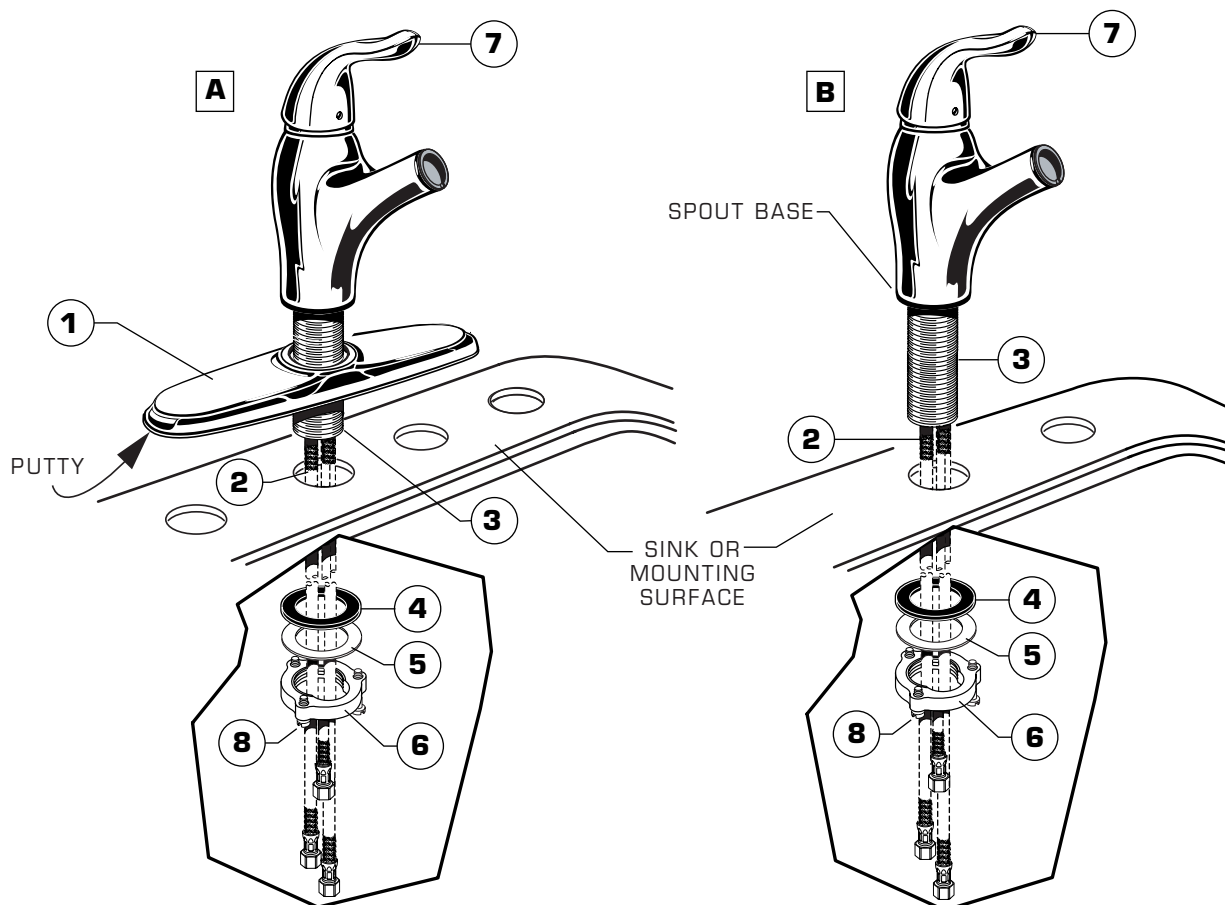


Plumbers' Putty or Caulking

## 1 INSTALL FAUCET WITH OR WITHOUT DECK ESCUTCHEON

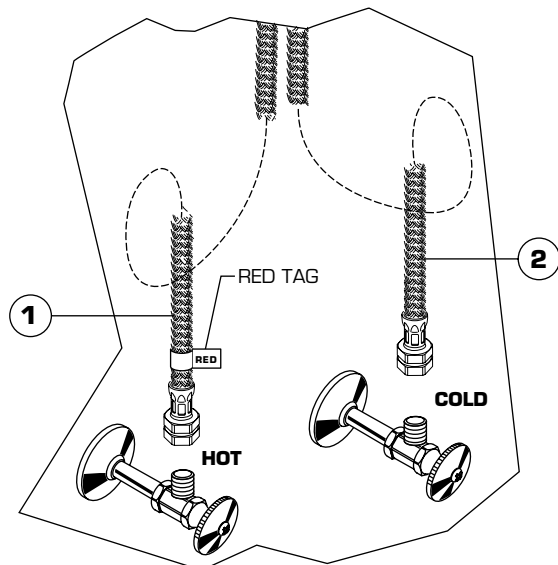
**CAUTION** Turn off hot and cold water supplies before beginning.

- **(A) Installation with ESCUTCHEON (1).** Apply a bead of putty to bottom edge of ESCUTCHEON with PUTTY PLATE (1). Insert supply HOSES (2) and SHANK (3) through hole of ESCUTCHEON with PUTTY PLATE (1) and mounting surface. Follow mounting instructions below to secure faucet to mounting surface.
- **(B) Installation less ESCUTCHEON (1).** Discard ESCUTCHEON with PUTTY PLATE (1). Insert supply HOSES (2) and SHANK (3) through mounting hole and seat SPOUT BASE onto sink or mounting surface. Do not use putty.
- Assemble RUBBER WASHER (4), BRASS WASHER (5), and threaded LOCKNUT (6) onto SHANK (3) from underside of sink or mounting surface. Hand tighten LOCKNUT (6) and check that rotation of HANDLE (7) from HOT to COLD is centered.
- Use a screwdriver to tighten SCREWS (8) on LOCKNUT (6). Work your way around LOCKNUT (6), tightening the screws slightly each time until all are snug to ensure even pressure.



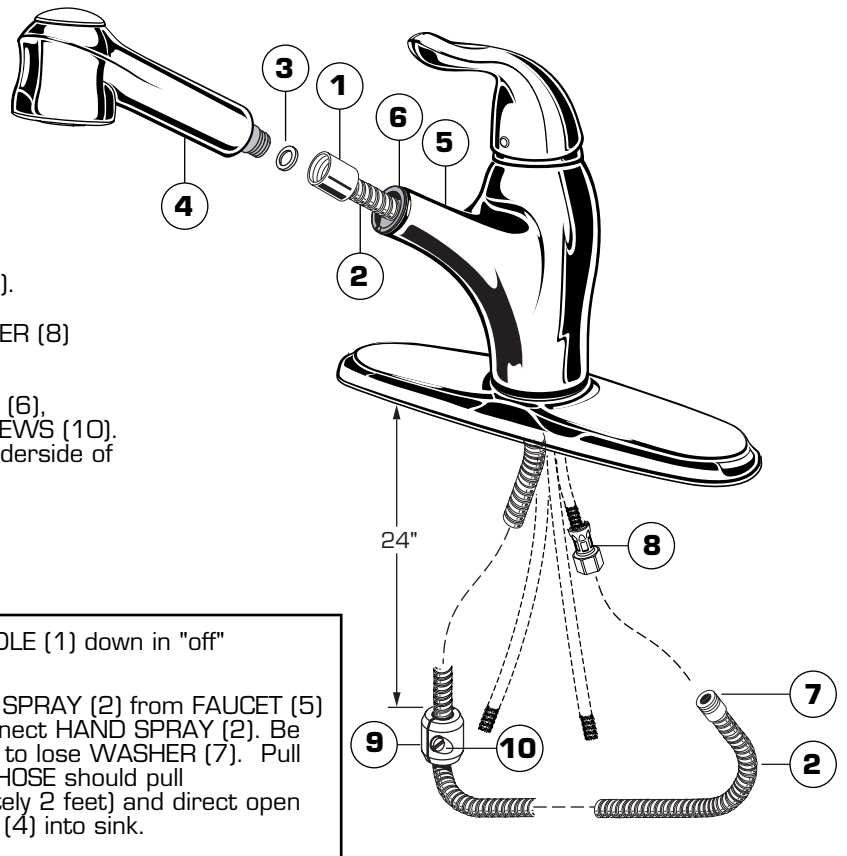
## 2 MAKE WATER SUPPLY CONNECTIONS

- Turn off hot and cold water supplies before beginning.
- Connect FLEXIBLE SUPPLIES (1, 2) directly to wall supplies. Connection on fitting supplies are 3/8" compression. Connect left supply to Hot (Marked with a Red Tag) and right supply to Cold wall supply. Use adjustable wrench to tighten connections. Do not over tighten.
- Faucet supplies are 21" long from faucet base.
- **Note:** If additional supply length is required, installer must purchase additional parts separately.
- **Important:** If SUPPLY HOSES (1, 2) are too long, loop as illustrated to avoid kinking.



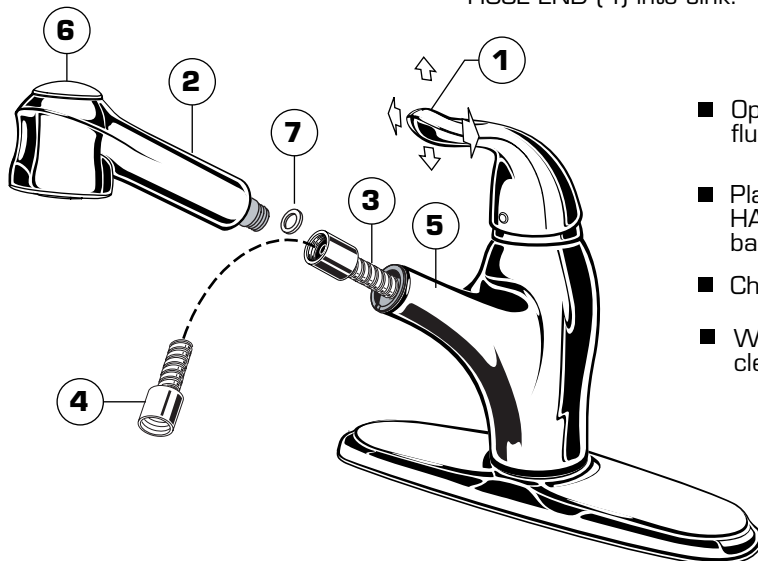
## 3 CONNECT SPRAY HOSE

- Slide COUPLING NUT (1) onto HOSE (2)
- Place WASHER (3) into COUPLING NUT (1) on HOSE (2). Thread COUPLING NUT (1) onto HAND SPRAY (4) and tighten. (May already be assembled).
- Feed small end of HOSE (2) through BODY (5) so HAND SPRAY (4) rests inside SPRAY HOLDER (6).
- Thread HOSE END (7) onto OUTLET HOSE ADAPTER (8) and tighten.
- With HAND SPRAY (4) seated in SPRAY HOLDER (6), install WEIGHTS (9) onto HOSE (2) using two SCREWS (10). Locate the WEIGHTS (9) two feet (2') from the underside of the sink deck. Tighten SCREWS (10) firmly.



## 4 TEST INSTALLED FAUCET

- Move HANDLE (1) down into "off" position.
- Turn on water supplies.
- Check connections for leaks. (See Section 5)
- With HANDLE (1) down in "off" position.
- Pull HAND SPRAY (2) from FAUCET (5) and disconnect HAND SPRAY (2). Be careful not to lose WASHER (7). Pull HOSE (3) (HOSE should pull approximately 2 feet) and direct open HOSE END (4) into sink.

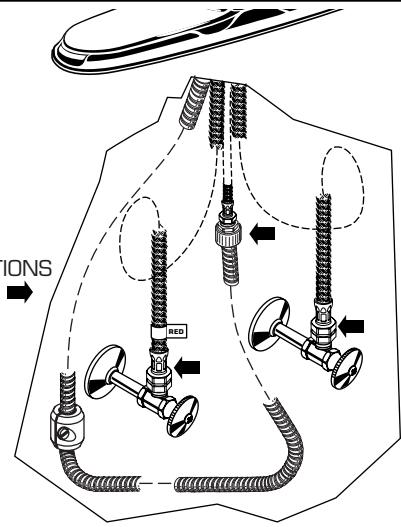


- Operate handle up and down, in COLD and HOT positions, to flush water lines thoroughly.
- Place WASHER (7) into HOSE END (4) and connect HAND SPRAY (2) to HOSE END (4). Place HAND SPRAY (2) back into faucet.
- Check HAND SPRAY (2) operation:
- With faucet on push front of BUTTON (6) for a broad cleansing spray.

## 5 CHECK CONNECTIONS FOR LEAKS.

- Move HANDLE down into "off" position.
- Turn on water supplies and check connections for leaks. ➡
- Operate HANDLE (2) up and down, left and right to flush water lines thoroughly.
- Operate HAND SPRAY and check connections for leaks. ➡

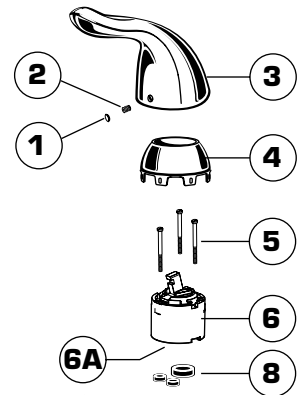
CHECK CONNECTIONS FOR LEAKS ➡



## 6 SERVICE

- If faucet drips, operate HANDLE several times from "off" to "on." Do not apply excessive force.
- **Clogged CARTRIDGE outlets or inlets may cause reduced flow.** To clean, first turn off water supply then:

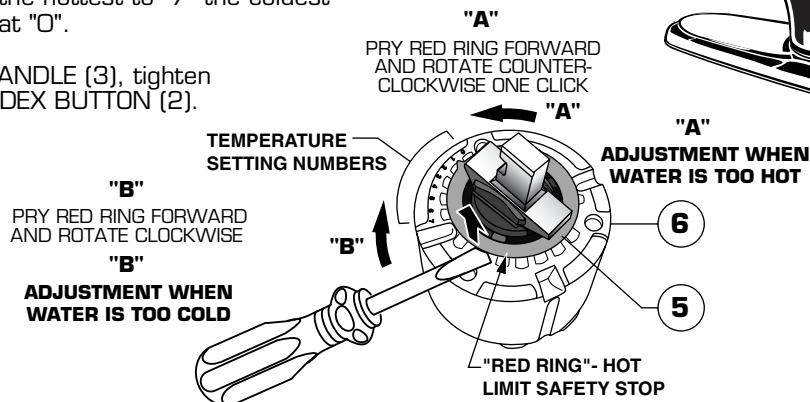
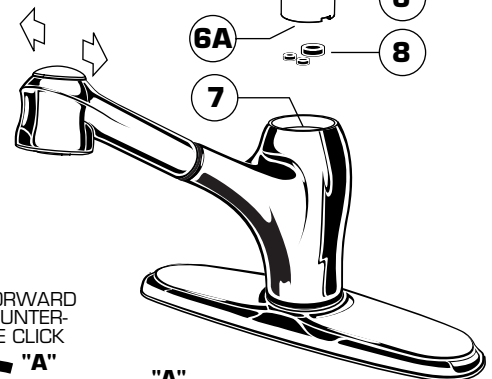
- Remove INDEX BUTTON (1), loosen HANDLE SCREW (2) and remove HANDLE (3).
- Pull off ESCUTCHEON CAP (4). Unscrew three MOUNTING SCREWS (5).
- Lift CARTRIDGE (6) off MANIFOLD (7) and remove CARTRIDGE SEALS (8).
- Clean MANIFOLD (7), CARTRIDGE (6) ports and SEALS (8).
- Place SEALS (8) into CARTRIDGE PORTS (6A).
- Place CARTRIDGE (6) onto MANIFOLD (7) and tighten MOUNTING SCREWS (5) alternately.
- Replace ESCUTCHEON CAP (4), HANDLE (3), tighten HANDLE SCREW (1) and install INDEX BUTTON (2).



### HOT LIMIT SAFETY STOP ADJUSTMENT

By restricting handle rotation and limiting the amount of hot water allowed to mix with the cold, the HOT LIMIT SAFETY STOP reduces risk of accidental scalding. To set the maximum hot water temperature of your faucets, all you need to do is adjust the setting on the HOT LIMIT SAFETY STOP.

- Remove HANDLE BUTTON (1) and loosen SET SCREW (2). Pull HANDLE (3) off valve stem. Pull off CAP (4). Use a flat blade screwdriver or your fingers to pull up and rotate red HOT LIMIT SAFETY STOP (5). Follow Step "A" or "B" to adjust min./max. discharge temperature. "0" being the hottest to "7" the coldest temperature setting. Factory set at "0".
- Replace ESCUTCHEON CAP (4), HANDLE (3), tighten HANDLE SCREW (1) and install INDEX BUTTON (2).



## 7 CARE INSTRUCTIONS

- To keep your new faucet looking new, please follow these simple care instructions:
  - DO:**
    - Simply rinse the faucet clean with clear water.
    - Dry the faucet with a soft cotton cloth.
  - DO NOT:**
    - Do not use any abrasive cleaners, cloths, or paper towels.
    - Do not use any cleaning agents containing acids, polish abrasives, or harsh cleaners or soaps.
- Regular and routine cleaning will reduce the need for heavy cleaning and polishing. If heavy cleaning is required, the following procedures are recommended:

- Remove as much surface dirt and film using clear water and soft cotton cloth (as described).
  - Use any of the following to remove tough surface film and build-up:
    - Mild liquid detergents
    - Clear ammonia free liquid glass cleaners
    - Non-acidic, non-abrasive gentle liquid or fully dissolved powder cleansers mixed according to manufacturers directions.
    - Non-abrasive liquid polishes
- Once clean, rinse faucet again with clear water to thoroughly remove cleaner or polish and blot dry with a cotton cloth.

**Failure to follow these care instructions may damage the faucet's finish.**

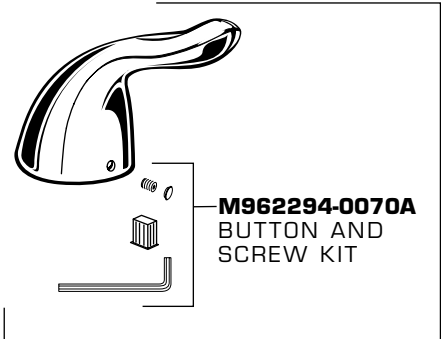
M968470

*American Standard*

**LAKELAND  
SINGLE CONTROL KITCHEN  
PULL-OUT FAUCET**

MODEL NUMBER

**4114.100**

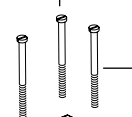


**M962294-0070A**  
BUTTON AND  
SCREW KIT



**M962338-YYY0A**  
HANDLE KIT

**A907086-YYY0A**  
ESCUTCHEON CAP



**023527-0070A**  
CARTRIDGE SCREWS



**023529-0070A**  
CARTRIDGE

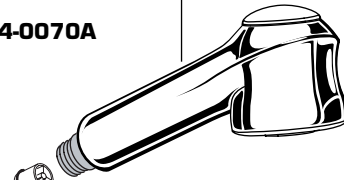


**A912746-0070A**  
O-RING



**M918504-0070A**  
SCREW

**M952250-YYY0A**  
PULL-OUT SPRAY



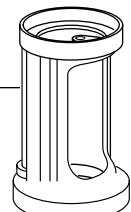
**M953052-0070A**  
FLOW REGULATING  
CHECK VALVE

**A922804-0070A**  
SPRAY HOLDER

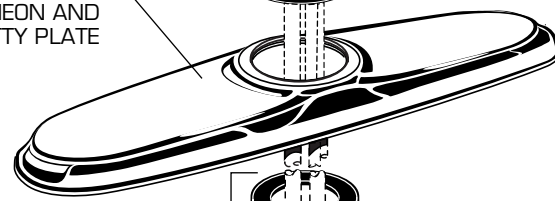
**M901142-YYY0A**  
BODY



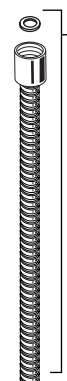
**M962301-0070A**  
INTERNAL BODY  
AND SEAL



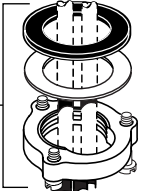
**M962339-YYY0A**  
ESCUTCHEON AND  
PUTTY PLATE



**M962302-0020A**  
SPRAY HOSE  
AND SEAL



**060467-0070A**  
MOUNTING KIT



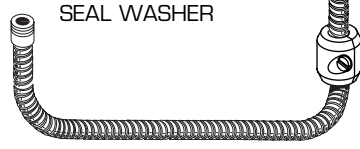
**A953051-0070A**  
CHECK VALVE



**A911714-0070A**  
SEAL WASHER



**050448-0070A**  
WEIGHTS



Replace the "YYY" with  
appropriate finish code

CHROME	002
SATIN	295

HOT LINE FOR HELP

For toll-free information and answers to your questions, call:  
1-800 442-1902  
Weekdays 8:00 a.m. to 8:00 p.m. EST

IN CANADA 1-800-387-0369 (TORONTO 1-905-306-1093)  
Weekdays 8:00 a.m. to 7:00 p.m. EST

IN MEXICO 01-800-839-12-00



Product names listed herein are trademarks of American Standard Inc.  
© American Standard Inc. 2004

M968470