

**PENLYN WALL-HUNG LAVATORY**

- Wall-hung sink
- Vitreous china
- Front overflow
- Integral back splash
- Faucet ledge.  
Shown with 2000.101 Ceramix faucet  
(not included)

**Faucet holes on 102mm (4") centers:**

- 0373.027** For wall hanger (included)
- 0373.050** For concealed arms support
- 0373.950** For concealed arms support
  - Less overflow

**Nominal Dimensions:**

457 x 403mm (18" x 15-7/8")

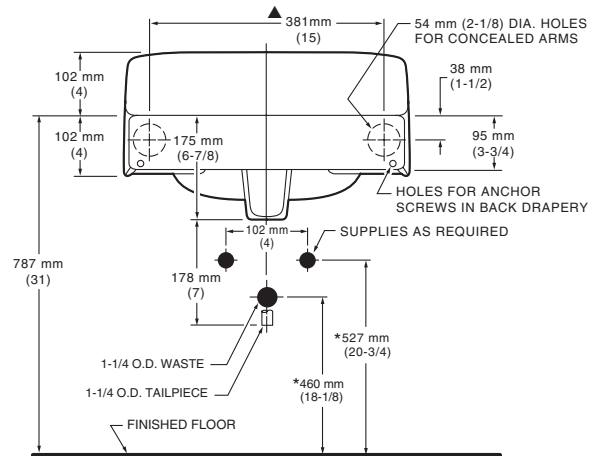
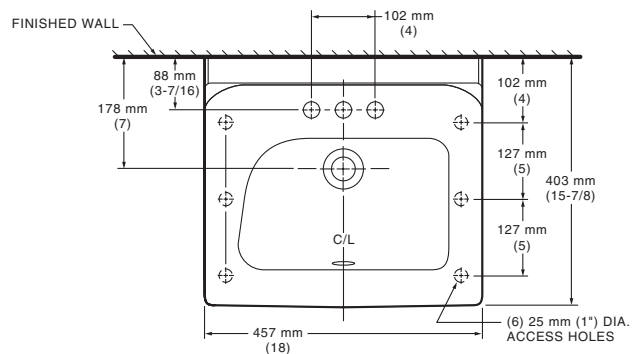
**Bowl sizes:**

340mm (13-3/8") wide,  
216mm (8-1/2") front to back,  
127mm (5") deep

**Compliance Certifications -**

**Meets or Exceeds the Following Specifications:**

- ASME A112.19.2M for Vitreous China Fixtures



**To Be Specified**

- Color: White
- Faucet\*:
- Faucet Finish:
- Supplies:
- 1-1/4" Trap:
- Nipple:
- Concealed Arms Support (by others):

\* See faucet section for additional models available

**NOTES:**

- \* DIMENSIONS SHOWN FOR LOCATION OF SUPPLIES AND "P" TRAP ARE SUGGESTED.
- ▲ REQUIRES CONCEALED SUPPORT ARMS TO BE SET 394mm (15-1/2") APART FOR PROPER INSTALLATION. CONCEALED ARM SUPPORT AS REQUIRED TO BE FURNISHED BY OTHERS. FITTINGS NOT INCLUDED AND MUST BE ORDERED SEPARATELY. PROVIDE SUITABLE REINFORCEMENT FOR ALL WALL SUPPORTS.
- IMPORTANT: Dimensions of fixtures are nominal and may vary within the range of tolerances established by ANSI Standard A112.19.2. These measurements are subject to change or cancellation. No responsibility is assumed for use of superseded or voided pages.