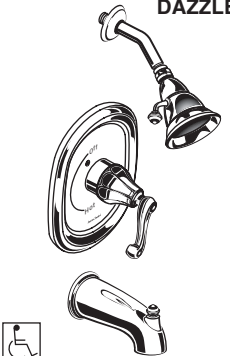







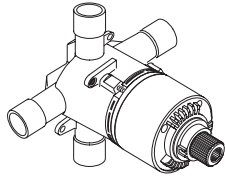
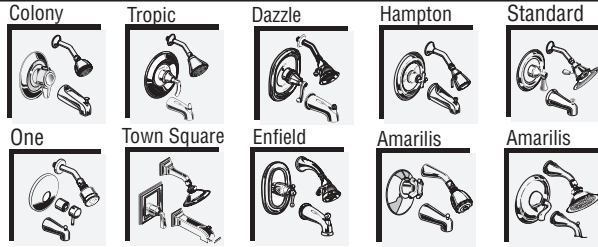


Trim Kits for R110, R110SS, R115, R115SS, R010, R015 rough valve bodies. Showerhead with 2.5gpm/9.5L/min. maximum flow. **TRIM KITS ONLY. VALVE MUST BE ORDERED SEPARATELY.**

Trim Kit	Model # Description	*Finishes	Roughing-In Dimensions
<p>DAZZLE</p>  	<p>T028.502 BATH/SHOWER Trim Kit</p> <ul style="list-style-type: none"> • Metal Lever Handle • Brass wall escutcheon • Showerhead, arm and flange • Slip-on diverter tub spout <p>T028.501 SHOWER ONLY Trim Kit</p> <ul style="list-style-type: none"> • Metal Lever Handle • Brass wall escutcheon • Showerhead, arm and flange <p>T028.500 VALVE ONLY Trim Kit</p> <ul style="list-style-type: none"> • Metal Lever Handle • Brass wall escutcheon 	<p>.002 Polished Chrome .295 Satin Nickel (PVD)</p> <p style="text-align: center;">38mm (1-1/2)</p> <p>.002 Polished Chrome .295 Satin Nickel (PVD)</p> <p>.002 Polished Chrome .295 Satin Nickel (PVD)</p>	
<p>STANDARD</p>  	<p>T6181 BATH/SHOWER Trim Kit</p> <ul style="list-style-type: none"> • Metal wall escutcheon • Porcelain lever handle • 5" adjustable showerhead • Cast brass diverter tub spout with I.P.S. connection <p>T6180 SHOWER ONLY Trim Kit</p> <ul style="list-style-type: none"> • Metal wall escutcheon • Porcelain lever handle • 5" adjustable showerhead <p>T6179 VALVE ONLY Trim Kit</p> <ul style="list-style-type: none"> • Metal wall escutcheon • Porcelain lever handle 	<p>T6181 Polished Chrome T6181S Satin Nickel (PVD)</p> <p>T6180 Polished Chrome T6180S Satin Nickel (PVD)</p> <p>T6179 Polished Chrome T6179S Satin Nickel (PVD)</p>	
<p>ONE</p>  	<p>T064.502 BATH/SHOWER Trim Kit</p> <ul style="list-style-type: none"> • Brass wall escutcheon • Adjustable "3 function" showerhead • Cast brass diverter tub spout • LESS Valve <p>T064.501 SHOWER ONLY Trim Kit</p> <ul style="list-style-type: none"> • Brass wall escutcheon • Adjustable "3 function" showerhead • LESS Valve <p>T064.500 VALVE ONLY Trim Kit</p> <ul style="list-style-type: none"> • Brass wall escutcheon • LESS Valve 	<p>.002 Polished Chrome .295 Satin Nickel (PVD)</p> <p>.002 Polished Chrome .295 Satin Nickel (PVD)</p> <p>.002 Polished Chrome .295 Satin Nickel (PVD)</p>	
<p>TOWN SQUARE</p>  	<p>T555.502 BATH/SHOWER Trim Kit</p> <ul style="list-style-type: none"> • Metal wall escutcheon • Metal lever handle • Cast brass shower arm • 4 1/2" Rain showerhead • Cast brass diverter tub spout with I.P.S. connection <p>T555.501 SHOWER ONLY Trim Kit</p> <ul style="list-style-type: none"> • Metal wall escutcheon • Metal lever handle • Cast brass shower arm • 4 1/2" Rain showerhead <p>T555.500 VALVE ONLY Trim Kit</p> <ul style="list-style-type: none"> • Metal wall escutcheon • Metal lever handle 	<p>.002 Polished Chrome .099 Polished Brass (PVD) .295 Satin Nickel (PVD)</p> <p>.002 Polished Chrome .099 Polished Brass (PVD) .295 Satin Nickel (PVD)</p> <p>.002 Polished Chrome .099 Polished Brass (PVD) .295 Satin Nickel (PVD)</p>	



Available Trim Kits



R110 Valve Body Shown

GENERAL DESCRIPTION:

Cast brass body, washerless ceramic disc valve cartridge with back-to-back capability and hot limit safety stop. Cycles from "off" to "cold" to "hot". Pressure balancing cartridge maintains constant output temperature in response to changes in relative hot and cold supply pressure. One-half inch inlets and outlets (choice of direct sweat or threaded). Available with screwdriver stops. Rough-in plaster guard designed for use as thin-wall mounting adaptor. Valve body will accept a variety of decorative Bath/Shower trims.

PRODUCT FEATURES:

Cast Brass Valve Body: Durable - Quality that will last a lifetime. Ideal material for prolonged contact with water.

Ceramic Disc Valve Cartridge: Assures a lifetime of drip-free performance. Allows easy fine tuning of temperature (125° handle rotation from off to hot).

Pressure Balancing Valve Cartridge: Maintains constant output temperature in response to changes in hot and cold supply pressure. Diaphragm system engineered to eliminate cross flow. Avoids failure due to mineral deposits - ideal for use in hard water

Back-to-Back Capability: Hot and cold can be reversed quickly and easily.

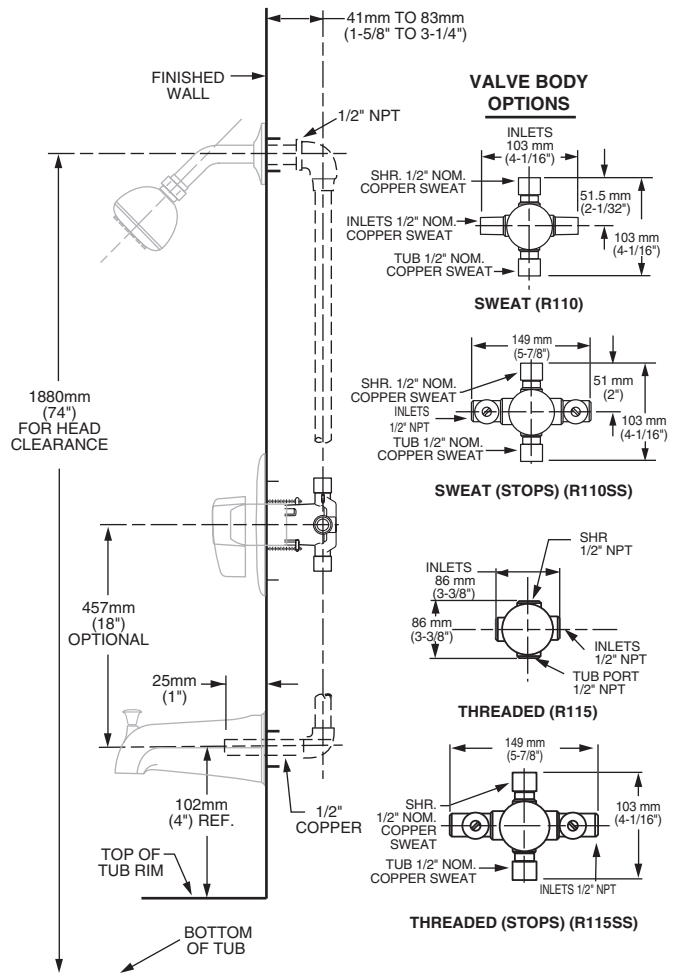
Adjustable Hot Limit Safety Stop: Limits the amount of hot water allowed to mix with cold. Reduces the risk of accidental scalding.

Exclusive Plaster Guard: Plaster guard is designed to protect valve during installation and serve as a mounting plate for thin-wall installations. 2 piece design allows valve to be tested prior to trim installation.

Wide Rough-in Range: From 1-5/8" to 3-1/4".

- MODEL NUMBER:**
- R110 Pressure Balance Rough Valve Body only**
Direct sweat inlets/outlets. LESS trim.
 - R110SS Pressure Balance Rough Valve Body only with Screwdriver stops**
Direct sweat inlets/outlets. Screwdriver stops. LESS trim.
 - R115 Pressure Balance Rough Valve Body only**
Female thread inlets/outlets. LESS trim.
 - R115SS Pressure Balance Rough Valve Body only with Screwdriver stops**
Female thread inlets/outlets. Screwdriver stops. LESS trim.

See reverse for available trim kits.



SUGGESTED SPECIFICATION:

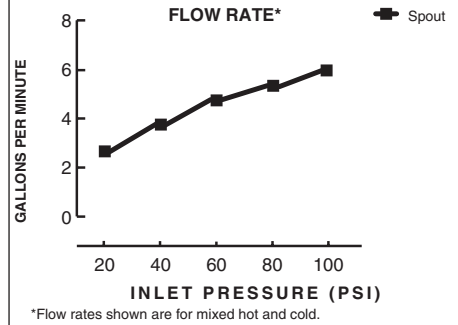
Bath/shower fitting shall feature a cast brass body. Shall feature ceramic disc valve cartridge which is capable of back-to-back installation. Fitting shall be equipped with pressure balancing cartridge engineered to eliminate cross flow and avoid failure due to mineral deposits. Shall also feature hot limit safety stop. Fitting shall be: Rough Valve Body - American Standard Model # R11____, Trim Kit - American Standard Model # ____.

Valve + Trim: Trim Kit & Valve Body Packaged Separately

To order: Specify valve body **and** trim kit desired

Example: R110 - Direct Sweat Valve Body

T215.701 - Hampton Bath/Shower Trim Kit (Porcelain Cross Handle)



CODES AND STANDARDS

These products meet or exceed the following codes and standards:

- ASSE 1016
- ASME A112.18.1
- CSA B 125

• Showerhead with 2.5gpm/9.5L.min. flow restrictor.

VALVES				
	R110	R110SS	R115	R115SS
	Direct Sweat Inlets/Outlets	Direct Sweat Inlets/Outlets w/ Screwdriver Stops	Female Thread Inlets/Outlets	Female Thread Inlets/Outlets w/ Screwdriver Stops

TRIM KITS		Colony*	Tropic	Dazzle	Hampton**	Standard	Town Square	One	Enfield***	Amarilis****	Amarilis****
	B/S	T375.XXX	T038.502	T028.502	T215.7XX	T6181	T555.502	T064.502	T373.5X2	T335.000	T345.000
	Shower	T372.XXX	T038.501	T028.501	T212.7XX	T6180	T555.501	T064.501	T373.5X1	T332.000	T342.000
	Valve	T371.XXX	T038.500	T028.500	T211.7XX	T6179	T555.500	T064.500	T373.5X0	T331.000	T341.000

NOTES:

* COLONY



** HAMPTON

available with choice of four handles.
to order: specify the three digit handle number
ex) T211.701 (valve only trim kit w/ porcelain cross handle)



*** ENFIELD available with lever or cross handle



**** AMARILIS

trim kits are less handles--must be ordered separately.
the following handle kits are available:
