

American Standard

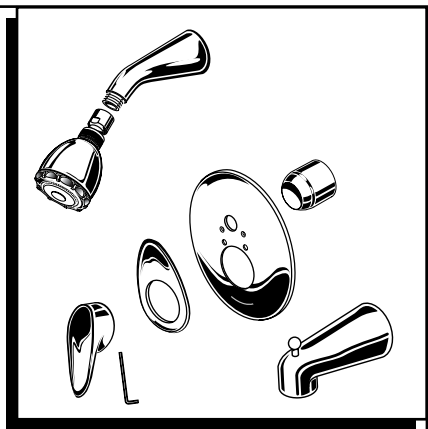
CERAMIX™

BATH/SHOWER TRIM KIT

Thank you for selecting American-Standard...the benchmark of fine quality for over 100 years.

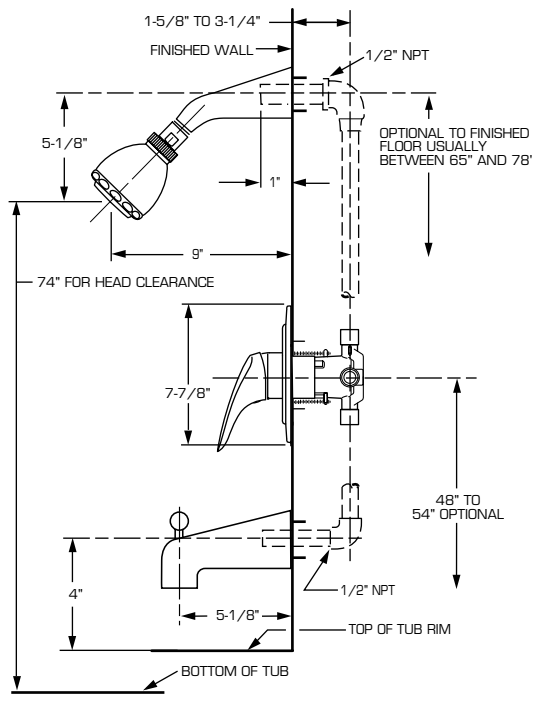
To ensure that your installation proceeds smoothly—please read these instructions carefully before you begin.

Installation Instructions T00050X

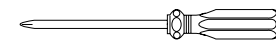


Certified to comply with ANSI A112.18.1

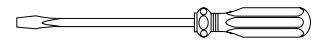
ROUGHING-IN DIMENSIONS



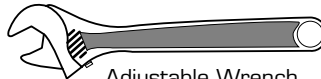
Required Tools



Phillips Screwdriver



Flat Blade Screwdriver



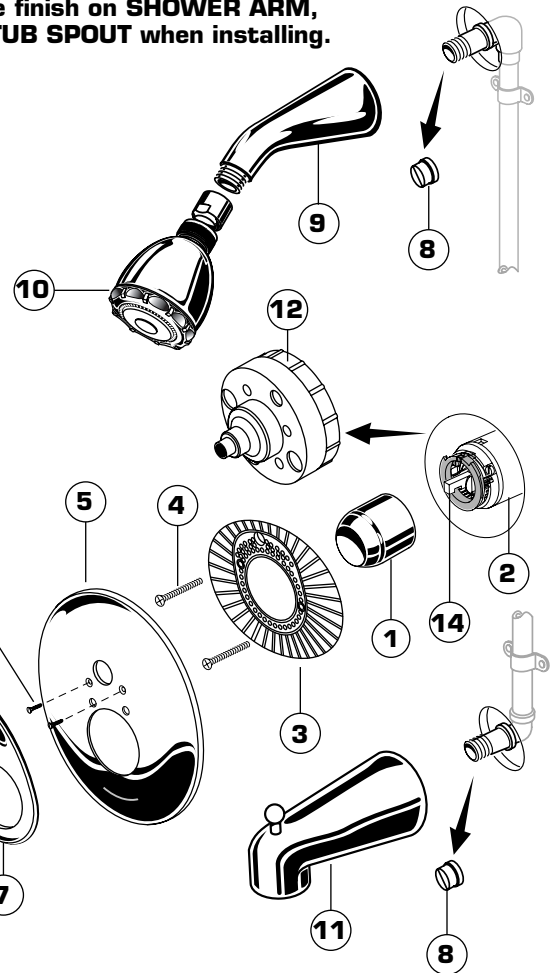
Adjustable Wrench



*Hex key (Supplied with Fitting)

M968739A

CAUTION: Protect the finish on SHOWER ARM, SHOWER HEAD and TUB SPOUT when installing.



1 INSTALL TRIM

- Remove PLASTER GUARD (12).
 - Push CAP (1) over VALVE CARTRIDGE (2).
 - Mount ESCUTCHEON CARRIER (3) to valve body using SCREWS (4).
 - Mount ESCUTCHEON (5) to ESCUTCHEON CARRIER (3) using SCREWS (6).
 - Attach DECORATIVE RING (7) to ESCUTCHEON (5).
 - Remove PIPE CAPS (8) from shower pipe and tub filler pipe.
 - Install SHOWER ARM (9) and SHOWER HEAD (10).
 - Install TUB FILLER SPOUT (11).
 - Push HANDLE (13) onto CARTRIDGE STEM (14) and tighten SET SCREW (15) from below with Hex Key supplied.
- NOTE:** Lift HANDLE (13) to access SET SCREW (15).

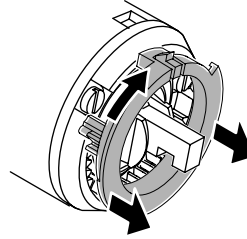
Hex key (Supplied with Fitting)

2

ADJUST HOT LIMIT STOP

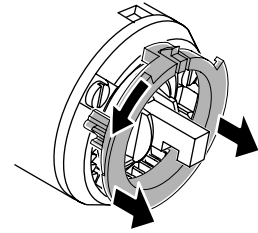
- By restricting handle rotation and limiting the amount of hot water allowed to mix with the cold, the HOT LIMIT SAFETY STOP reduces risk of accidental scalding. To set the maximum hot water temperature of your faucet, all you need to do is adjust the setting on the HOT LIMIT SAFETY STOP.
- Remove HANDLE, CAP and HOT LIMIT STOP. Follow "A" or "B" to adjust maximum discharge temperature.

"A"
PRY UPWARD TO UNLOCK AND ROTATE CLOCKWISE.



ADJUSTMENT WHEN WATER IS TOO COLD

"B"
PRY UPWARD TO UNLOCK AND ROTATE COUNTER-CLOCKWISE ONE CLICK.



ADJUSTMENT WHEN WATER IS TOO HOT

CARE INSTRUCTIONS:

DO: SIMPLY RINSE THE PRODUCT CLEAN WITH CLEAR WATER. DRY WITH A SOFT COTTON FLANNEL CLOTH.

DO NOT: CLEAN THE PRODUCT WITH SOAPS, ACID, POLISH, ABRASIVES, HARSH CLEANERS, OR A CLOTH WITH A COARSE SURFACE.

CERAMIX™

BATH/SHOWER TRIM

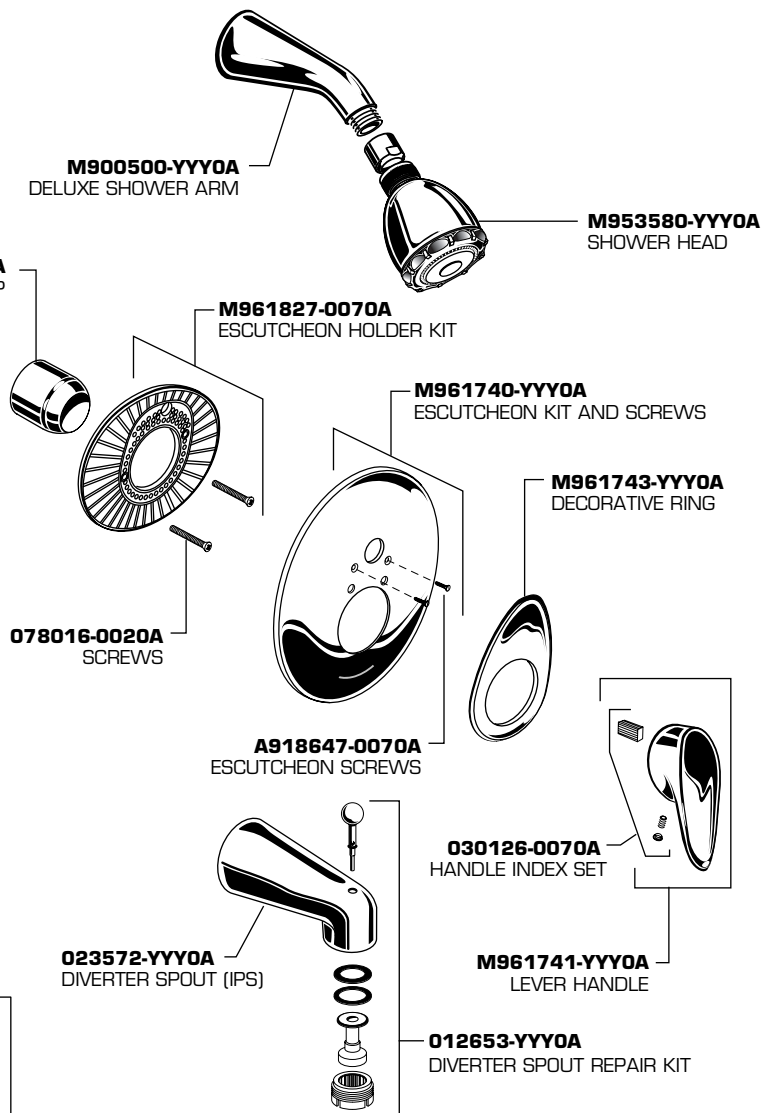
MODEL NUMBER

T00050X

Replace the "YYY" with appropriate finish code

CHROME	002
WHITE	020
BONE	021
WHITE/CHROME	025
BLACK NICKEL/POL. BRASS	062
POLISHED BRASS	099
SATIN	295
SATIN/POL. BRASS	297
CHROME/POL. BRASS	299

American Standard



HOT LINE FOR HELP
For toll-free information and answers to your questions, call:
1 (800) 223-0068
Weekdays 8:00 a.m. to 8:00 p.m. EST
IN CANADA 1-800-387-0369 (TORONTO 1-905-306-1093)
Weekdays 8:00 a.m. to 7:00 p.m. EST

Product names listed herein are trademarks of American Standard Inc. ©American Standard Inc. 2002

M968739A