

INSTALLATION GUIDE FOR EVOLUTION™ AIR BATHS

MODEL 2422V.068C	5' x 32"
MODEL 2771V.068C	5' x 36"
MODEL 2645V.068C	OVAL
MODEL 7236V.068C	6' x 36"
MODEL 2425V.168C	5' x 32" IA-RHO
MODEL 2425V.268C	5' x 32" IA-LHO

THANK YOU...

for selecting an American Standard bath. Your new bath is shipped to you after careful inspection. The air bath is completely assembled with air blower and system piping. All you need to finish the installation are your selected fittings and electrical connections.

To ensure maximum performance and pleasure from this product, please follow the instructions and cautions.

FOR AFTER-SALES SERVICE CALL 1 (800) 442-1902 WEEKDAYS.

© AS Americas Inc. 2008
All product names listed herein are trademarks
of AS Americas Inc. unless otherwise noted.

TABLE OF CONTENTS:

Safety Instructions.....Page 3

General Information.....Page 4

Optional Components.....Page 4

Specifications.....Page 5

Roughing-in Reference.....Page 6

Framing and Support Instructions.....Page 7

Mounting Instructions.....Page 8

Electrical Connections.....Page 9

Drain Connection and System Test.....Page 10

Care and Cleaning.....Page 10








Remote Blower Location Option.....Page 11

Warranty.....Page 12

IMPORTANT SAFETY INSTRUCTIONS

INSTRUCTIONS PERTAINING TO A RISK OF FIRE, ELECTRIC SHOCK OR INJURY TO PERSONS

READ AND FOLLOW ALL INSTRUCTIONS!

-  **WARNING: Risk of personal injury.** Do not permit children to use this unit without adult supervision.
-  **WARNING: Risk of personal injury.** Do not operate this unit without the guard over the suction fitting.
-  **WARNING: Risk of electric shock.** Do not permit electrical appliances (hair dryer, telephone, radio, etc.) within 60 inches (1524mm) of this unit.
-  **WARNING: Risk of hyperthermia and possible drowning.** People using medications and/or having adverse medical history should consult a physician before using this product.
-  **WARNING: Risk of personal injury.** Do not overfill unit before entering. Entering tub when filled more than 2/3 can cause overflow and slippery conditions. Exercise caution when entering and exiting.
-  **WARNING: No Food or Alcoholic Beverages.** Use of your bathtub immediately after meals is not recommended. Avoid alcohol consumption before or during bathing. Alcoholic beverages can cause drowsiness or hyperthermia resulting in loss of consciousness or even drowning.
-  **WARNING: Pregnancy.** If you are or think you may be pregnant, consult your physician before using the bathtub.

Never drop or insert any object into any opening.

Use this unit only for its intended use as described in this manual. Do not use any attachments not recommended by American Standard.

The unit must be connected only to a supply circuit that is properly protected by a ground-fault circuit-interrupter (GFCI). Such a GFCI should be provided by the installer and should be tested on a routine basis. To test the GFCI, push the test button. The GFCI should interrupt power. Push the reset button. Power should be restored. If the GFCI fails to operate in this manner, the GFCI is defective. If the GFCI interrupts power to the bathtub without the test button being pushed, a ground current is flowing, indicating the possibility of an electric shock. Do not use this air bath. Disconnect the air bath and have the problem corrected by a licensed electrician before using.

SAVE THESE INSTRUCTIONS

General Installation Information

Carefully uncrate and inspect your new bath for any shipping damage. If such damage is found, report it to your vendor immediately. After inspection and during installation, protect the bath from construction damage. **Before installation, and before enclosing with wallboard, tile, etc., the bath must be filled with water and operated to check for leaks that may have resulted from shipping damage or mishandling!** Do not make unauthorized modifications to the air bath system. This could adversely affect the safety and performance of the air bath and void the warranty. Do not handle or move the air bath by the air blower or piping system. Fittings (bath filler, shower arm, etc.) are not provided with the bath and must be ordered separately. Framing and enclosing materials are provided by others.

For electrical requirements, refer to section titled “Air Bath Electrical Installation Instructions”.

Check for availability of optional American Standard wall tiling bead (required for recess installation). Protect all finished surfaces of the air bath during construction and installation using a drop cloth.

⚠ WARNING: Do not lift air bath by the piping harness at any time.

List of Required Tools and Supplies:

Tools

- Level
- Tape Measure
- Pipe Wrench
- Slip Joint Pliers
- Screw Driver
- Standard Woodworking Tools
- Personal Safety Equipment
- Caulking Gun

Supplies

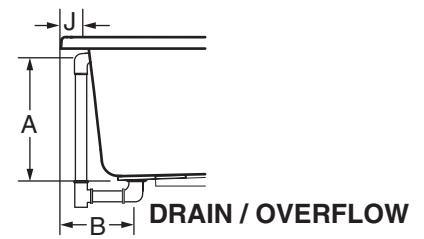
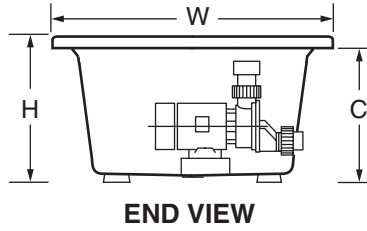
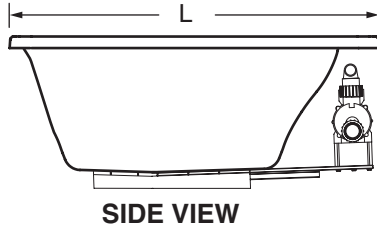
- Nails
- Putty
- Caulking (waterproof)
- 1 x 4 Stringers
- Drop Cloth
- Cement, Plaster, Grout

LIST OF OPTIONAL COMPONENTS (NOT INCLUDED):

Description	Model Number	Optional Components (Not Included)		Required Components (Not Included)
		Apron Kit	Tile Bead Kit	Drain (Specify Finish)
Evolution™ 5' x 32"	2422V.068C	9261.019	751755-100	1599.205.XXX*
Evolution™ 5' x 36"	2771V.068C	9261.019	751755-100	1599.205.XXX*
Evolution™ 6' x 36"	7236V.068C	9271.019	751755-100	1599.205.XXX*
Evolution™ 5' x 32" IA	2425V.168C - RHO 2425V.268C - LHO	INTEGRAL	NOT APPLICABLE	1599.205.XXX*
Evolution™ Oval	2645V.068C	9266.018	751755-100	1583.470.XXX

* These models require American Standard Deep Soak Max Drain 1599.205

SPECIFICATIONS:



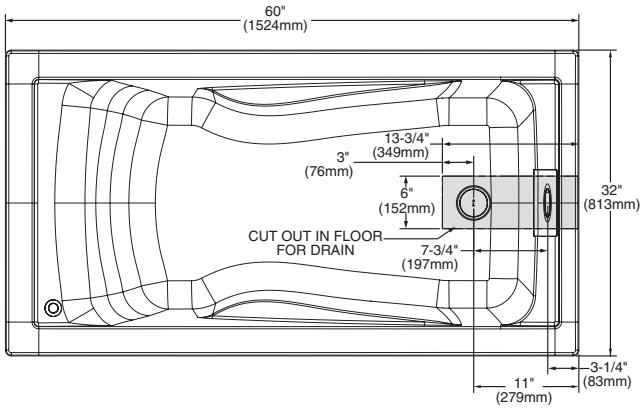
GENERAL SPECIFICATIONS FOR EVOLUTION AIR BATHS

Description	Dimensions L-W-H	Drain / Overflow	Height to Underside of Deck: C	Cut Out Pier G x F	Rough-In Recess E x D	Tub Edge to Centerline Overflow: J	Weight with Water / Floor Loading	Product Weight	Apron / Mounting	Gallon to Overflow
2422V.068C 5' x 32"	L 1524mm (60") W 813mm (32") H 546mm (21-1/2")	A 20-1/8" (511 mm) B 11" (279 mm)	C 20" (508 mm)	58-1/2" (1485 mm) x 30-1/2" (774 mm)	60-3/16" (1528 mm) x 30-1/2" (774 mm)	83mm (3-1/4)	690lb (313kg)/ (260kg/sq.m) 53lb/sq.ft.	74 lb. (34 kg.)	Optional	74 gal. (280 l.)
2771V.068C 5' x 36"	L 1524mm (60") W 914mm (36") H 546mm (21-1/2")	A 20-1/8" (511 mm) B 11" (279 mm)	C 20" (508 mm)	58-1/2" (1485 mm) x 34-1/2" (876 mm)	60-3/16" (1528 mm) x 34-1/2" (876 mm)	83mm (3-1/4)	800lb (363kg)/ (260kg/sq.m) 53lb/sq.ft.	75 lb. (34 kg.)	Optional	87 gal. (329 l.)
7236V.068C 6' x 36"	L 1829mm (72") W 914mm (36") H 546mm (21-1/2")	A 20-1/8" (511 mm) B 11" (279 mm)	C 20" (508 mm)	70-1/2" (1790 mm) x 34-1/2" (876 mm)	72-3/16" (1833 mm) x 34-1/2" (876 mm)	83mm (3-1/4)	1031lb (467kg)/ (280kg/sq.m) 57lb/sq.ft.	106 lb. (48 kg.)	Optional	111 gal. (420 l.)
2425V.168C IA-RHO 2425V.268C IA-LHO 5' x 32"	L 1524mm (60") W 813mm (32") H 521mm (20-1/2")	A 19-1/8" (485 mm) B 10-1/2" (266 mm)	C 20-1/4" (515 mm)	N/D	60-3/16" (1528 mm) x 30-1/2" (774 mm)	73mm (2-7/8)	675lb (306kg)/ (262kg/sq.m) 54lb/sq.ft.	92 lb. (42 kg.)	Included	70 gal. (265 l.)
2645V.068C Oval	L 1676mm (66") W 914mm (36") H 502mm (19-3/4")	A 15-1/4" (387 mm) B 8-1/4" (209 mm)	C 18-1/4" (464 mm)	64" (1625 mm) x 34" (863 mm)	66-3/16" (1681 mm) x 34-1/2" (876 mm)	44mm (1-3/4)	580lb (263kg)/ (175kg/sq.m) 36lb/pies cuadrados	96 lb. (44 kg.)	Optional	58 gal. (219 l.)

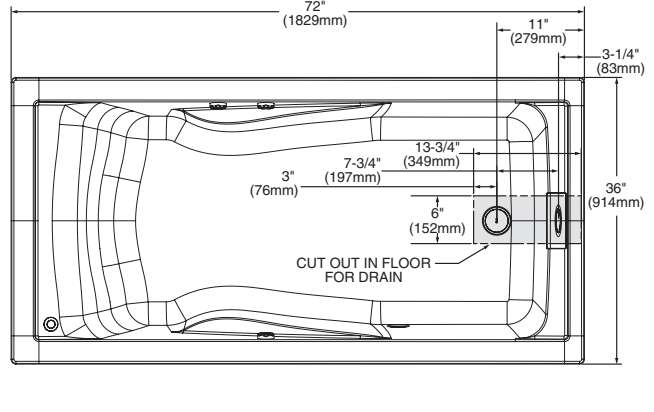
TABLE 1

ROUGHING-IN REFERENCES

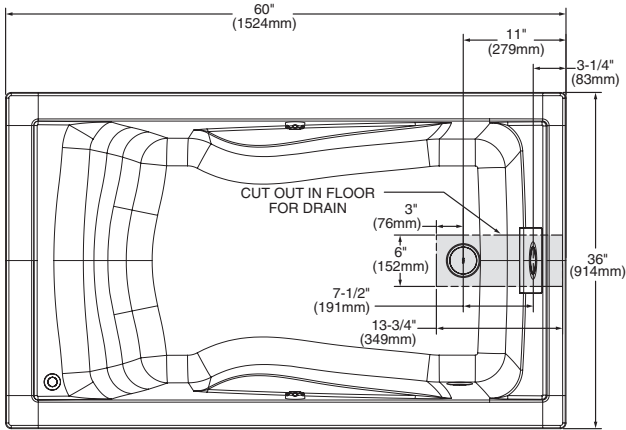
5' x 32" (MODEL 2422V.068C)



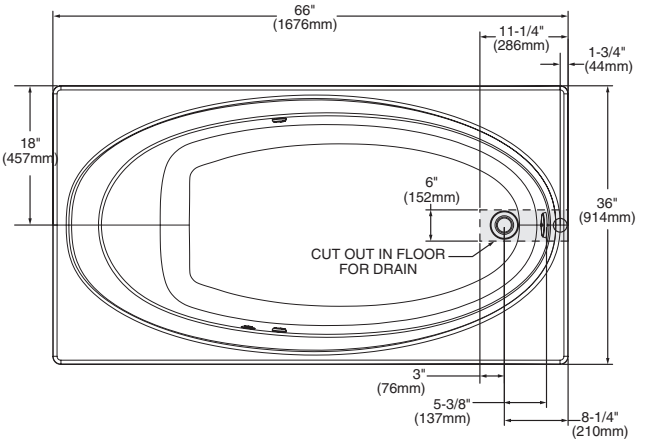
6' x 36" (MODEL 7236V.068C)



5' x 36" (MODEL 2771V.068C)

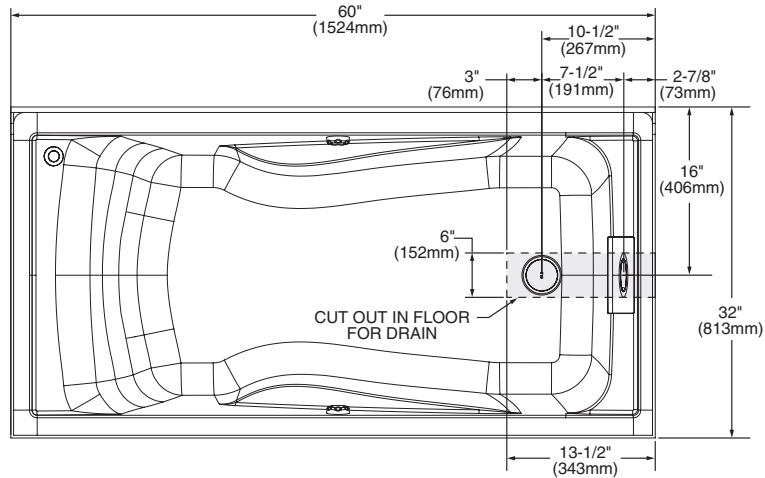


OVAL (MODEL 2645V.068C)



5' x 32" IA-RHO (MODEL 2425V.168C-RHO)

5' x 32" IA-LHO (MODEL 2425V.268C-LHO) - shown



DIMENSIONS OF FIXTURES ARE NOMINAL AND MAY VARY WITHIN THE RANGE OF TOLERANCES ESTABLISHED BY ANSI STANDARDS Z124.1 AND A112.19.7.

INSTALLATION AND FRAMING INSTRUCTIONS

The variety of installations possible for this air bath may require framing procedures other than those shown. Locate studs as needed. Ensure roughing-in dimensions are proper, plumb and square. Provisions must be made in all installations for an access opening for servicing the air blower and controls. It is strongly recommended that an additional opening be provided for access to the drain components. The apron should not be used as the primary access opening.

1. Position the air bath into the installation opening and level the deck in both directions, shimming the integral support feet IF necessary. Mark the final position of the underside of the deck by tracing a line on to the studs (see Figure 1).

2. Remove the air bath and attach a 1 x 4 stringer to the studs, with the top of the stringer touching the traced line.

! The rim of the bath **must not** support weight.

3. Install drain components to the air bath following the drain installation instructions. Before replacing your air bath for final installation, be certain that an opening has been provided in the sub-floor for the drain. See the roughing-in drawing and Table 1 for suggested opening size (shadowed) and location dimensions. The drain/overflow of the bath extends below the bottom of the bath. Note that this requires a cutout in the floor.

! The floor structure beneath the bath must be able to support a total weight of bath, water, and bather. Refer to Table 1 under total weight for your model.

For Models: 2425V.168C-RHO and 2425V.268C-LHO;

This bath must be supported along its entire bottom. Use mortar as bedding material (do not use sand or foam). Apply enough mortar to support the complete bottom of the bath. After the mortar has been poured, and before it sets, position bath within recess until the rim is leveled against the leveling stringers (see "Typical Recess Installation") shown below.

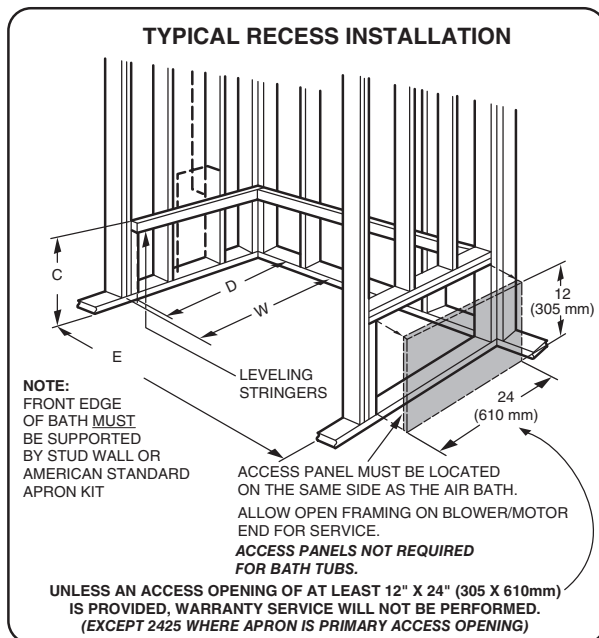
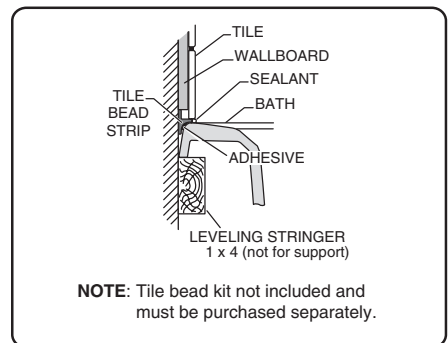
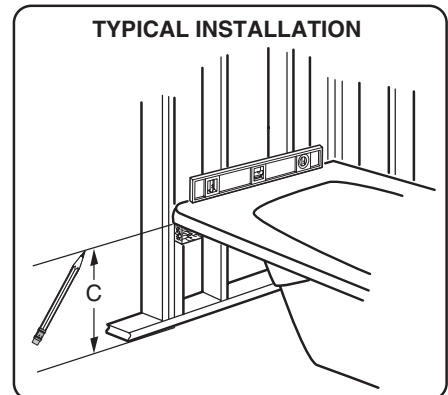
! The rim of the bath **must not** support weight. Allow the mortar material to completely harden before applying weight to the rim or bottom of the bath. Any finish material such as tile or wall board must be self-supporting if it contacts the deck of the bath.

For Models: 2645V.068C, 2771V.068C, 7236V.068C and 2422V.068C;

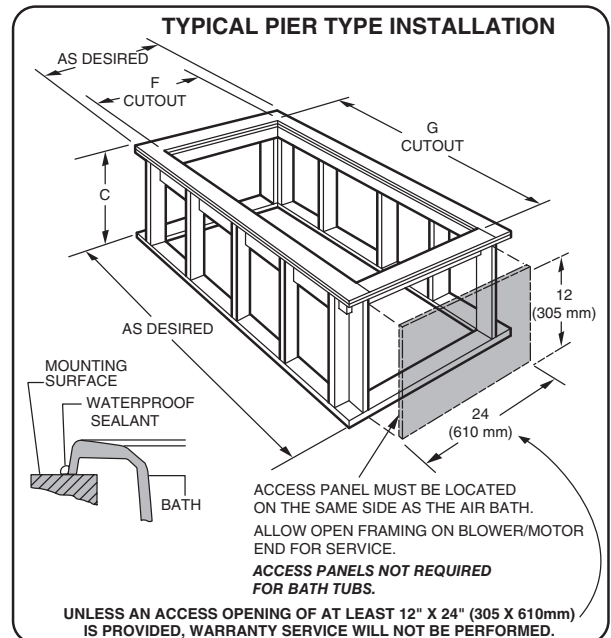
Replace air bath and re-shim the integral support feet, shimming the entire length of the support feet. Secure the shims using construction adhesive, silicone, mortar or equivalent materials. While not a necessity, the use of a foundation base consisting of cement, mortar, or grout will help provide a solid and secure installation.

! The rim of the bath **must not** support weight. If foundation base is used, allow the bedding material to completely harden before applying weight to the rim or bottom of the bath. Any finish material such as tile or wall board must be self-supporting if it contacts the deck of the bath.

FIGURE 1



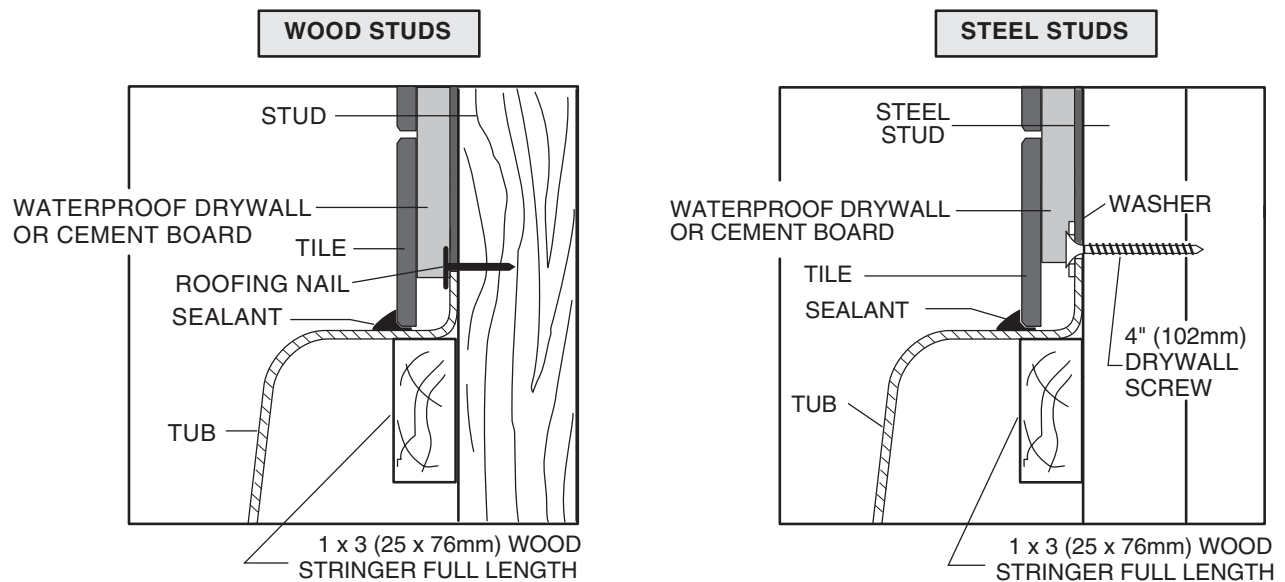
FOR E & D DIMENSIONS SEE TABLE 1 ON PAGE 5.



FOR G & F DIMENSIONS SEE TABLE 1 ON PAGE 5.

TYPICAL FLANGE MOUNTING DETAIL

SUGGESTED AIR BATH / BATH INSTALLATION METHOD



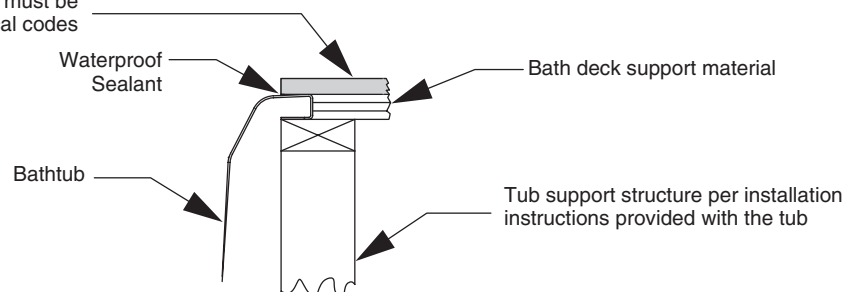
SECURE THE BATH TO THE STUDS AS SHOWN FOR WOOD OR STEEL STUD CONSTRUCTION.

UNDER DECK MOUNTING INSTRUCTIONS

Please note that care must be taken to protect the surface of the tub during all aspects of the installation. Do not drill or cut the bath deck with the tub directly beneath it as damage to the tub may result.

1. Install the tub per the installation instructions provided with the unit.
2. Prepare the bath deck support structure per the local codes. Note - the bath deck must be self supporting.
3. Cut bath deck to your specifications.
4. Place the bath deck in position and trace the opening on the tub with a soft pencil. Do not drill or cut the bath deck with the tub directly beneath it as damage to the tub may result.
5. Remove the bath deck and apply a generous bead of waterproof sealant on the outer edge of the traced line.
6. Replace the bath deck and secure it into place.
7. Apply additional sealant along the tub and bath deck interface as necessary to ensure a watertight seal.
8. Remove excess sealant per the manufacturer's instructions.

Finished bath deck surface material must be self-supporting and secured per local codes



AIR BATH ELECTRICAL INSTALLATION INSTRUCTIONS

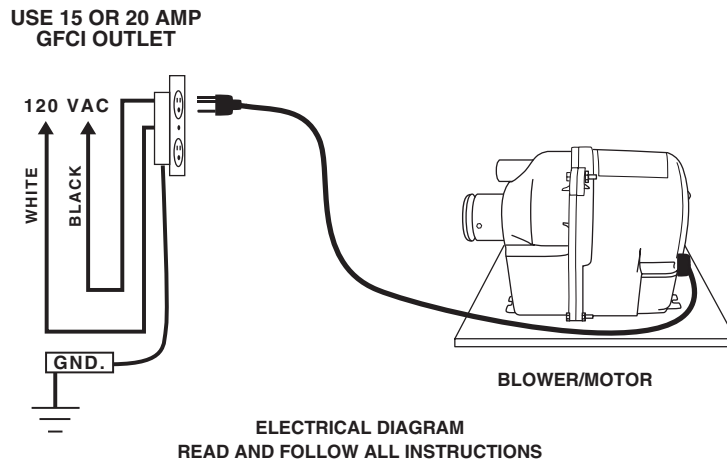
All wiring must be performed by a licensed electrician in accordance with the national electrical code and all other applicable codes.

⚠ WARNING: When using electrical products, basic precautions should always be observed, including the following:

1. **DANGER: RISK OF ELECTRIC SHOCK!** Connect only to a circuit protected by a ground-fault circuit interrupter.
2. Permit access for servicing blower as noted.
3. All building materials and wiring should be routed away from the air blower.

PLEASE SEE THE FOLLOWING TABLE FOR GFCI CIRCUIT REQUIREMENTS:

GFCI CIRCUIT REQUIREMENTS:	FOR MODEL NUMBERS:	
The air bath should be installed on a 120 vac, 15 or 20 amp dedicated GFCI circuit.	2425V.168C-RHO	2422V.068C
The circuit should be hard-wired from the electrical power supply panel. The circuit must be a three (3) wire circuit from the electrical supply panel. A grounded neutral wire and a third wire, earth ground, are essential.	2425V.268C-LHO	2645V.068C
	2771V.068C	7236V.068C



WIRE SELECTION GUIDE

Motor Hi Performance Rating
2.1 H.P.,
1.4 H.P.,
and 1.25 H.P.

Maximum distance from fusebox to motor				
50'	100'	150'	200'	
115V Power Line				
12	10	8	8	

The sizes shown on this chart are recommendations for copper conductors only. Always follow local and national electrical codes

DRAIN CONNECTION AND SYSTEM TEST

Using recommended drain assembly, connect the bath drain to waste line in accordance with the drain assembly instructions. Tighten all drain joints securely. Clean the air bath and fill with water to a point 2" above the top of the highest jet. Check for leaks around all piping connections while the air bath is running.

POST INSTALLATION CLEAN-UP

Remove all construction debris from bath. Tile grout can be removed with a wooden popsicle stick or tongue depressor. Do not use wire brushes or any other metal implement on bath surface.

Post installation clean-up generally can be completed using warm water and liquid dishwashing detergent. Stubborn dirt or stains may be removed using granular Spic and Span[®] mixed with water.

Painter's naphtha can be used to remove excess adhesives and/or wet oil-base paint.

AFTERCARE and CLEANING

- The high gloss surface is resistant to impact and chemicals and will retain its lasting luster with proper care and maintenance.
- Always fill the tub with temperate water. Excessively hot water may cause surface damage
- Remove bath mat after use and hang to dry. Allowing bath mat to dry in the tub may cause surface damage.
- Clean after use with a mild liquid household detergent cleaner. Do not use Lestoil, Lysol Disinfectant (spray or concentrate), or Lysol Basin, Tub and Tile Cleaner, Windex, Mr. Clean, Dow Disinfectant Bathroom Cleaner, or cleaning products in aerosol cans.

HARSH CHEMICALS SHOULD NEVER BE USED ON ACRYLIC SURFACES.

- Do not use wire brushes, knives or sharp objects to remove stains, cigarette tar deposits, or other surface blemishes.
- Abrasive cleaners or powders must not be used, since they will dull the surface. If the glossy surface loses its sheen, dulled areas can be restored by rubbing with a white "automotive type" polishing compound and waxing with a "liquid wax."
- **Do not wax areas where you walk or stand.**
- Do not allow nail polish remover, acetone, dry cleaning fluid, paint remover or other solvents to come into contact with the surface.
- Clean the surrounding surface immediately after using caustic drain cleaners.
- Burning cigarettes will damage the surface.
- Should damage to the fixture occur, repairs can be made quickly and easily. Your distributor or builder can provide details.
- Do not permit drain cleaner to enter the circulation system.

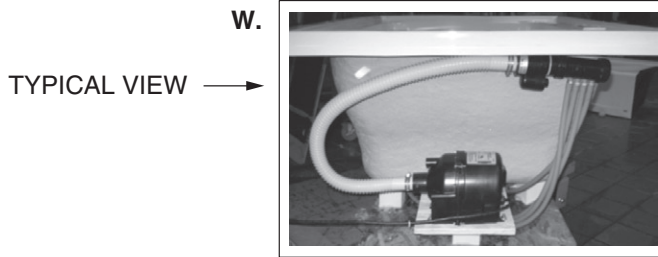
CIRCULATION SYSTEM CLEANING-PURGING PROCEDURES

Refer to the "Operating and Maintenance Instruction Manual" (Document 754073-100) for complete purging, cleaning, and maintenance details.

REMOTE BLOWER LOCATION OPTION

IMPORTANT! It is not necessary that the blower motor be relocated. This option is provided for the case that a particular installation makes this effort practical.

NOTE: Relocating blower motor from factory installed location, see photo **W**, will require disassembly of air blower from mounting board. Keep all hardware for reattachment at new location. Additional hardware will be required depending upon final desired position of air blower. Follow all instructions listed below.



NOTE: Installing the blower in a remote location will reduce the system efficiency.

NOTE: Relocating a blower motor still requires a service access for the blower.

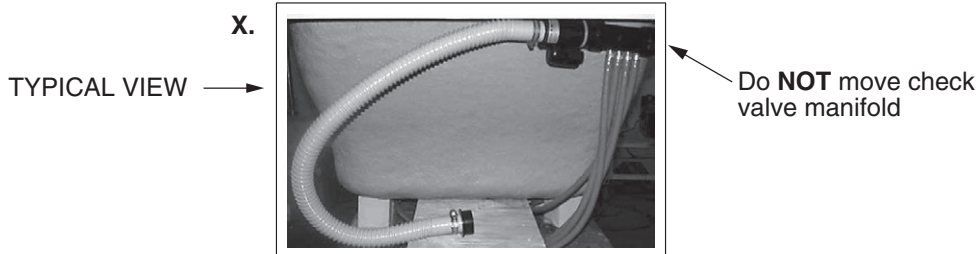
NOTE: All materials needed for the relocation must be supplied by the installer. This includes ordering a longer control panel cable (P/N 754025-0071A).

A separate circuit, which must be protected by the Ground Fault Circuit Interrupter (GFCI), is required in the remote location. Electrical connections should be performed by a licensed electrician.

Choose a space as close to the bath as possible so the system works as efficiently as possible. The space must be at least 30 cubic feet and the blower must be mounted at least 2 inches above the floor and 2 inches minimum away from any wall. The blower must NOT be installed in an attic area.

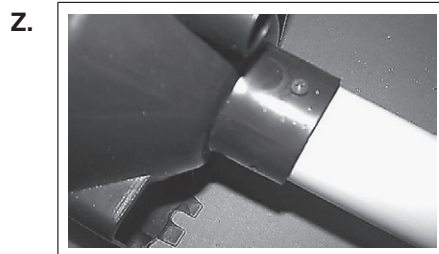
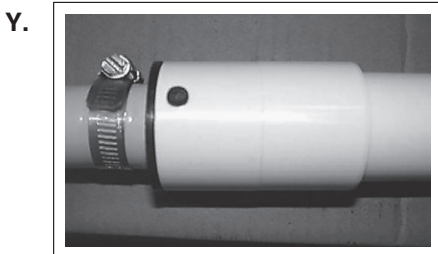
The blower motor must be located within 12 feet of rigid piping from the bath air manifold. This limitation is for the total pipe length and applies to any direction changes and elbows. There can be no more than six changes of direction. There should be as few direction changes as possible and the piping installation must meet all requirements of local plumbing and building codes.

Disconnect the blower from the flexible hose as shown in photo **X**. Do NOT remove the check valve manifold that is mounted to the underside of the air bath. The manifold MUST remain mounted above the tub overflow level as shown in **X**.



Use 1 1/2" PVC rigid piping and couplings to extend the blower motor location as shown in photos **Y** and **Z**. Detach the flexible hose section from the blower end and extend the air line by adding the appropriate length of PVC piping. Mount the blower in a horizontal direction using the mounting screws provided with the air bath system. Do NOT glue piping to either the manifold or blower. These couplings MUST be attached to the piping with screws as shown in photos **Y** and **Z**. Glue only the PVC piping and couplings needed to extend the air line. Let the glued couplings set overnight before attaching the blower and manifold couplings with screws.

CAUTION: It is imperative to let the glued piping set overnight as there may be fumes from the glue that could be ignited if not allowed to dissipate.



AS America, Inc. Limited Lifetime Warranty For Evolution™ Acrylic Air Baths

AS America, Inc. ("American Standard") warrants to the original consumer purchaser that it will, at its option, repair or replace this air bath or any of its parts that are found by American Standard, in its sole judgment, to be defective under normal residential use and maintenance so long as it is owned by the original consumer purchaser.

This warranty shall only become effective upon receipt by American Standard of a completely filled out Warranty Registration Card evidencing proof of purchase.

This limited warranty does not apply to commercial installations. The warranty for commercial installations is three (3) years.

THIS WARRANTY SHALL BE VOID IF THE ACCESS PANEL TO THE AIR BATH IS COVERED IN ANY MANNER CONTRARY TO THE INSTALLATION INSTRUCTIONS. In no event will American Standard be liable for the cost of repair or replacement of any installation materials including but not limited to tiles, marble etc.

This limited warranty DOES NOT COVER the following:

1. Defects or damages arising from shipping, installation, alterations, accidents, abuse, misuse, lack of proper maintenance and cleaning as directed in the owner's manual and use of other than genuine American Standard replacement parts, in all cases whether caused by a plumbing contractor, service company, the owner or any other person.
2. Deterioration through normal wear and tear and the expense of normal maintenance.
3. Commercial application.
4. Options and accessories. American Standard's limited warranty on these items is one year for parts only and excludes labor. This one year limited warranty covers accessories manufactured by American Standard (e.g. aprons, drains, grab bars, heaters, trim kits) against defects of material or workmanship. Warranty coverage begins on the date the accessory was originally purchased by the owner.
5. Postage or shipping costs for returning products for repairs or replacement under this limited warranty and labor or other costs incurred in connection with product removal or installation under this limited warranty.
6. ANY LIABILITY FOR CONSEQUENTIAL OR INCIDENTAL DAMAGES, ALL OF WHICH ARE HEREBY EXPRESSLY DISCLAIMED, OR THE EXTENSION BEYOND THE DURATION OF THIS LIMITED WARRANTY OF ANY IMPLIED WARRANTIES, INCLUDING THOSE OF MERCHANTABILITY OR FITNESS FOR AN INTENDED PURPOSE. (Some jurisdictions do not allow limitations on how long an implied warranty lasts, or the exclusion or limitation of incidental or consequential damages, so these limitations and exclusions may not apply to you.)
7. Responsibility for compliance with local code requirements. (Since local code requirements vary greatly distributors, retailers, dealers, installation contractors and users of plumbing products should determine whether there are any code restrictions on the installation or use of a specific product.)

This warranty gives you specific legal rights. You may have other legal rights that vary from state to state. For service under this warranty, you should contact the following:

By Mail: American Standard Inc.
P.O. Box 659
West Caldwell, N.J. 07007
Attention: Customer Care Center

By Telephone:
1-800-442-1902