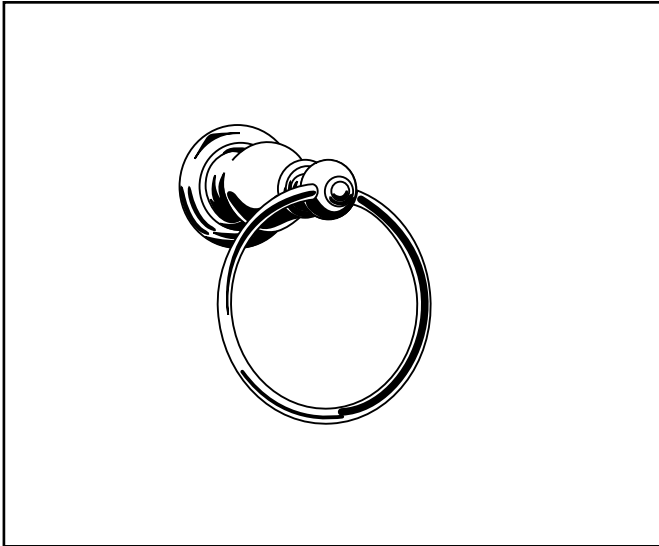


American Standard

Prairie Field™

BATH ACCESSORIES TOWEL RING

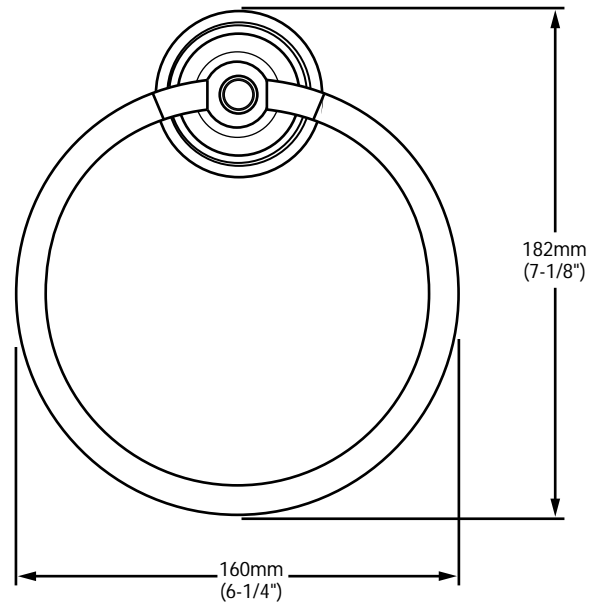
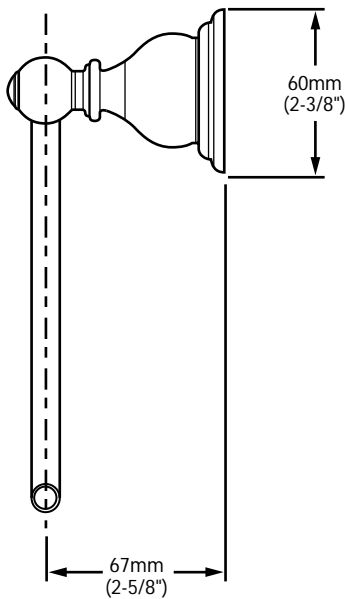


MODEL NUMBER:

■ 8040.190 - Towel Ring

Available Finishes

.228	Polished Chrome w/extra PVD Polished Brass accents
.234	PVD Satin w/extra Polished Chrome accents
.246	PVD Satin w/extra PVD Polished Brass accents
.099	PVD Polished Brass



PRODUCT FEATURES:

Heavy duty construction: Highest quality materials for durability & long life.

Concealed Mounting: No exposed set screws.

Materials of Construction: Towel ring tube - 3.5mm thick brass. Body and escutcheon - zinc. Bushing on towel ring to prevent scratching and squeaking.

Easy to Install

Choice of Finishes: To match Chrome, PVD Brass and PVD Satin finishes. PVD finish on all Polished Brass and Satin components will never tarnish.

SUGGESTED SPECIFICATION:

Towel Ring shall feature heavy - duty construction with tarnish - free PVD finish on all Polished Brass and Satin components. Shall feature concealed mounting with no exposed set screws. Towel Ring tube shall be 3.5mm thick brass tube. Towel Ring shall be American Standard Model # 8040.190.____.