

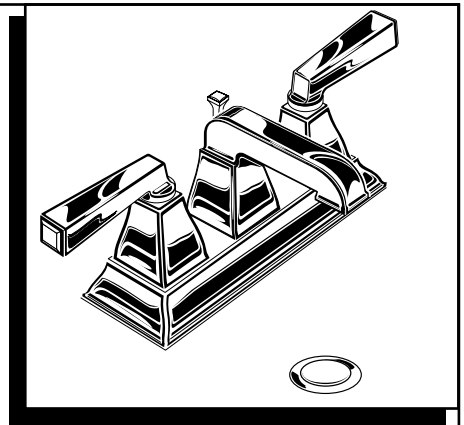
American Standard

TOWNSQUARE CenterSet Faucet

Thank you for selecting American-Standard...the benchmark of fine quality for over 100 years.

To ensure that your installation proceeds smoothly—please read these instructions carefully before you begin.

Installation Instructions 2555.201



Certified to comply with ASME A112.18.1M
Certifié ASME A112.18.1M

M968786A

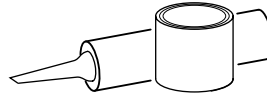
TOOLS REQUIRED



Channel Locks



Adjustable Wrench



Plumbers' Putty or Caulking



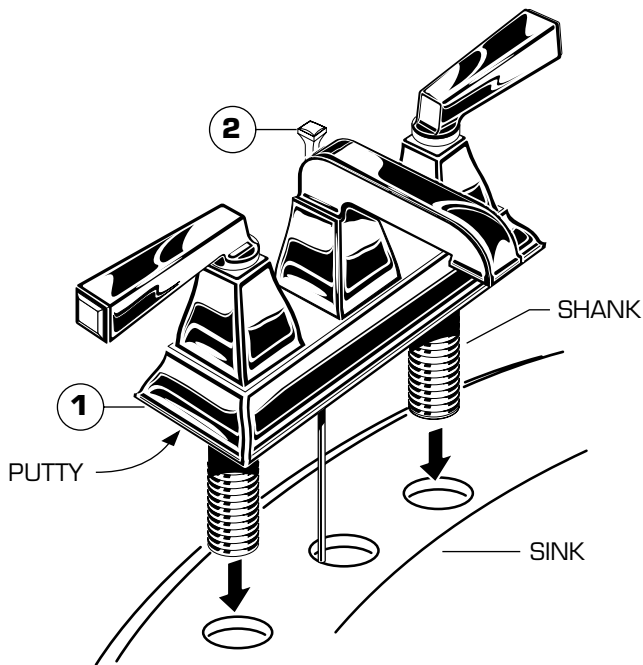
Phillips Screwdriver

1 INSTALL FAUCET

CAUTION

Turn off hot and cold water supplies before beginning.

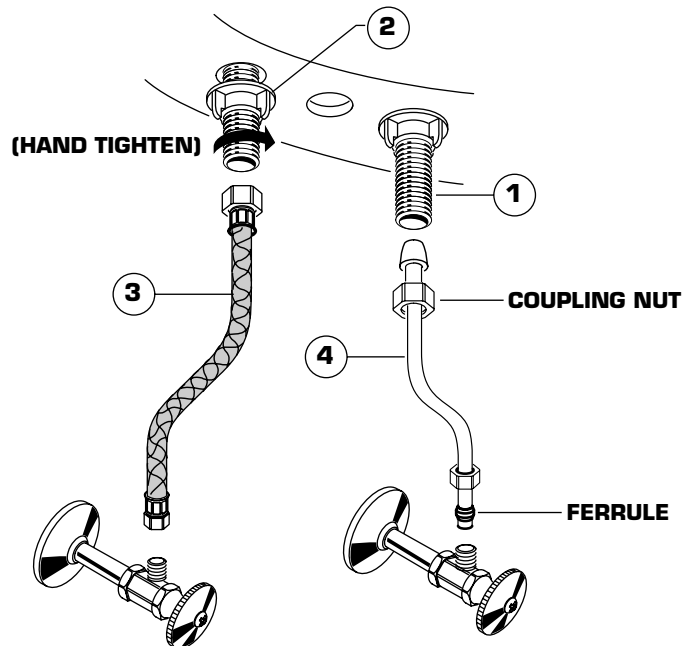
- Apply a bead of PUTTY along the edge of the underside of the BODY (1). Insert LIFT ROD (2) through hole in BODY (1).
- Insert faucet SHANKS through holes of SINK. Place faucet as far forward as possible.



2 SECURE FAUCET AND MAKE WATER SUPPLY CONNECTIONS

NOTE: FLEXIBLE SUPPLIES OR BULL-NOSE RISERS MUST BE PURCHASED SEPARATELY.

- Secure FAUCET (1) with ATTACHMENT NUTS (2) supplied. (HAND TIGHTEN).
- Connect water supply to FAUCET (1) with 1/2" IPS FLEXIBLE SUPPLIES (3) or 3/8" O.D. BULL-NOSE RISERS (4). Use adjustable wrench to tighten connections. Do not over tighten. Be careful not to kink copper supply when bending. Use tubing cutter to cut to proper length.



3 INSTALL POP-UP DRAIN

- Push Tail piece (11) down into Trap (C) (threaded end up).
- Thread Locknut (5), Washer (4) and Gasket (3) (Bevel side up) onto Drain Body (10).
- Apply a bead of Putty (D) to underside of Flange (2).
- Feed Drain Body (10) up through Sink (A) and thread the Flange (2) fully onto Drain Body (10).
- Tighten Locknut (5) firmly, keeping the pivot rod hole pointed towards the back of the sink.
- Assemble Pivot Rod (9) as shown in Figure-4B. Notice the position of the Concave Washer (G).
- Insert Pivot Rod (9) into Drain Body (10) and tighten Pivot Nut (F).
- Push TAILPIECE INSERT (12) into TAILPIECE (11) and push TAILPIECE up and thread tightly into DRAIN BODY (10).
- Position Extension Rod (7) onto Pop-Up Rod (E) and tighten Thumbscrew (6).
- Remove one end of Clip (8) from Pivot Rod (9) by squeezing ends together while sliding.
- Insert Pivot Rod (9) into second or third hole in Extension Rod (7) and reassemble Clip (8).
- Drop Stopper (1) into Drain Body (10).
- Adjust stopper height by repositioning Extension Rod (7) and tightening Thumbscrew (6).

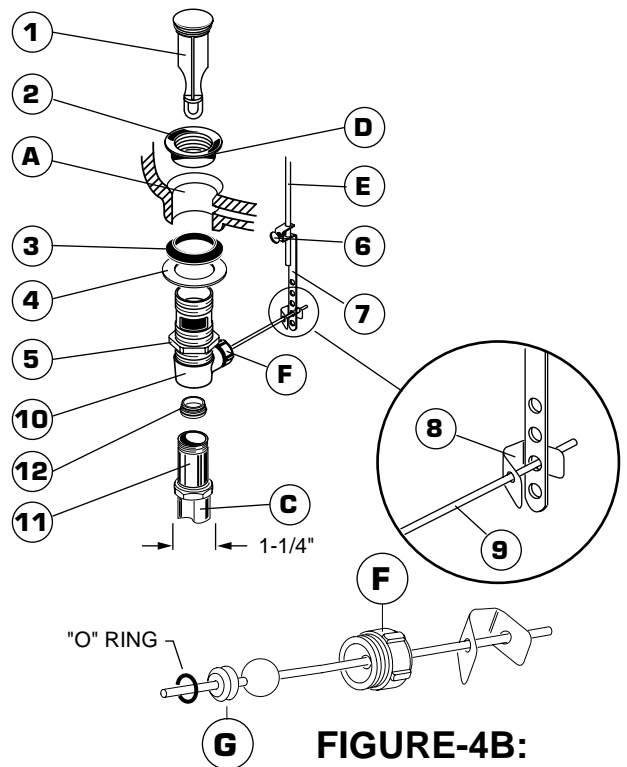
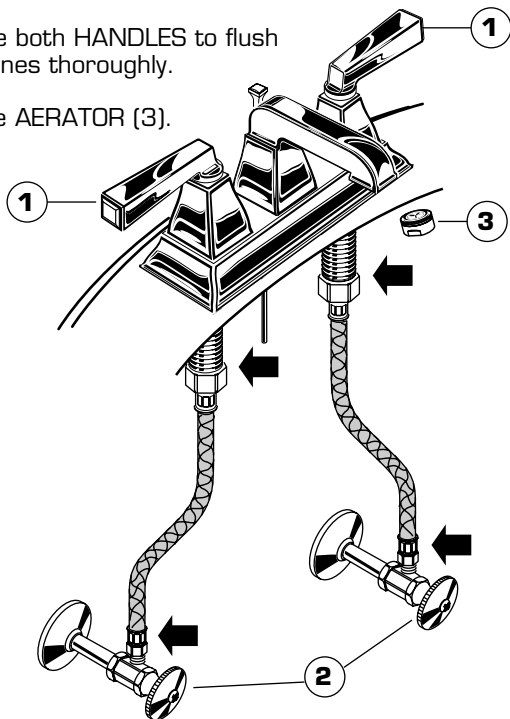


FIGURE-4B:

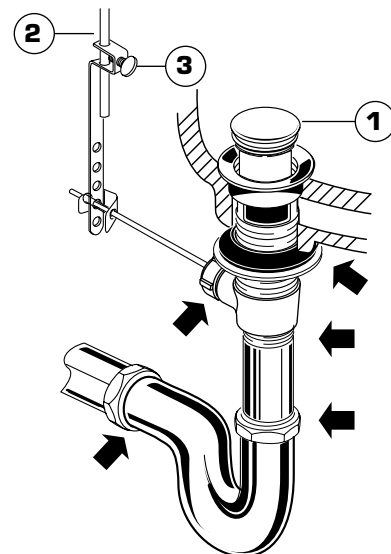
4 TEST INSTALLED FITTING

- With HANDLES (1) in OFF position, turn on WATER SUPPLIES (2) and check all connections for leaks.
- Remove AERATOR (3).
- Operate both HANDLES to flush water lines thoroughly.
- Replace AERATOR (3).



5 CHECK DRAIN CONNECTIONS

- Operate Pop-Up and fill lavatory with water. Check that DRAIN STOPPER (1) makes a good seal and retains water in lavatory. Adjust stopper height by repositioning Pop-Up Rod (2) and tightening Thumbscrew (3).
- Release DRAIN STOPPER (1) and check all drain connections and "P" trap for leaks. Tighten if necessary.



6 CARE INSTRUCTIONS:

DO: SIMPLY RINSE THE PRODUCT CLEAN WITH CLEAR WATER. DRY WITH A SOFT COTTON FLANNEL CLOTH.
DO NOT: CLEAN THE PRODUCT WITH SOAPS, ACID, POLISH, ABRASIVES, HARSH CLEANERS, OR A CLOTH WITH A COARSE SURFACE.

TOWNSQUARE CenterSet Faucets

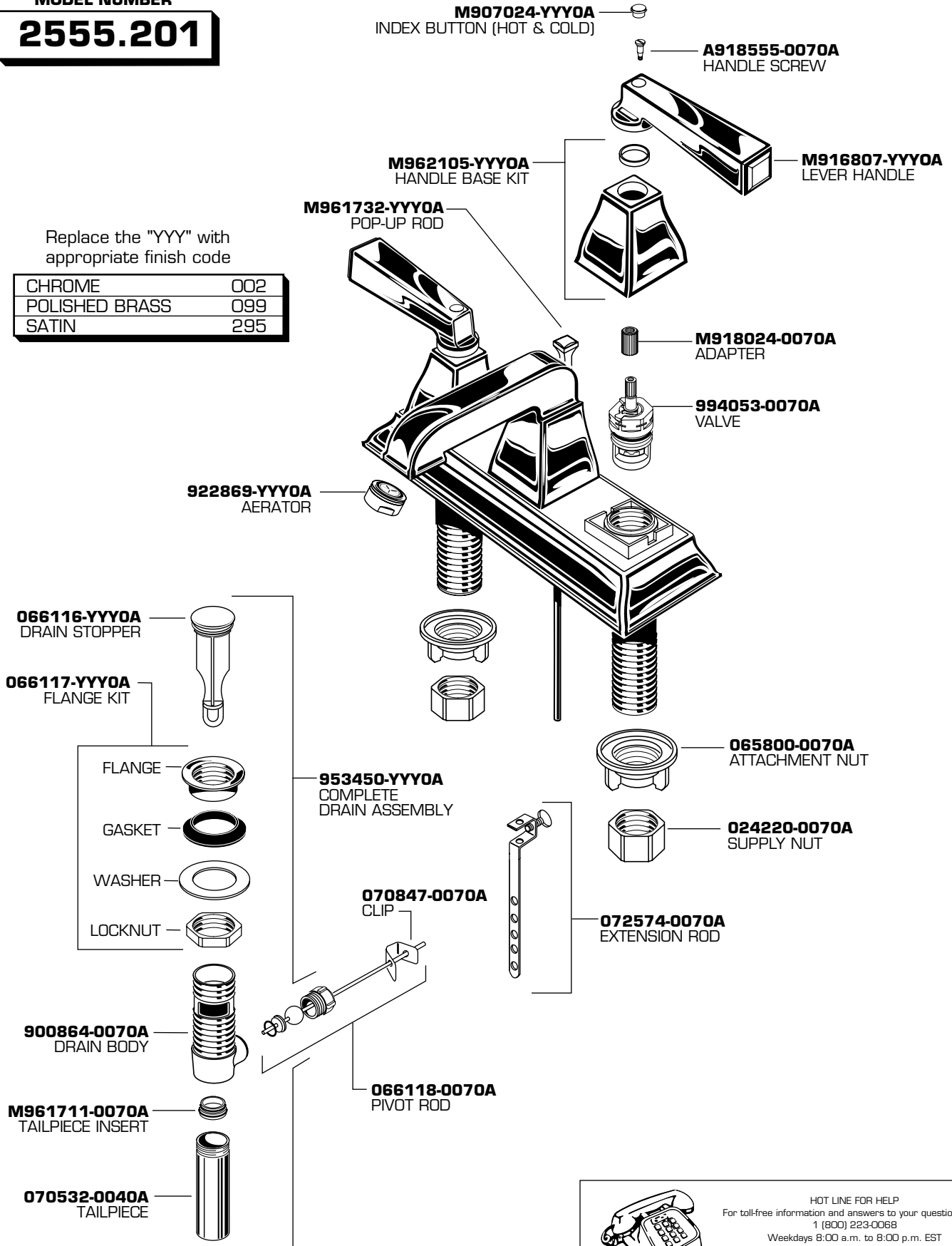
American Standard

MODEL NUMBER

2555.201

Replace the "YYY" with appropriate finish code

CHROME	002
POLISHED BRASS	099
SATIN	295



HOT LINE FOR HELP
For toll-free information and answers to your questions, call:
1 (800) 223-0068
Weekdays 8:00 a.m. to 8:00 p.m. EST

IN CANADA 1-800-387-0369 (TORONTO 1-905-306-1093)
Weekdays 8:00 a.m. to 7:00 p.m. EST

Product names listed herein are trademarks of American Standard Inc.
© American Standard Inc. 2002

M968786A