

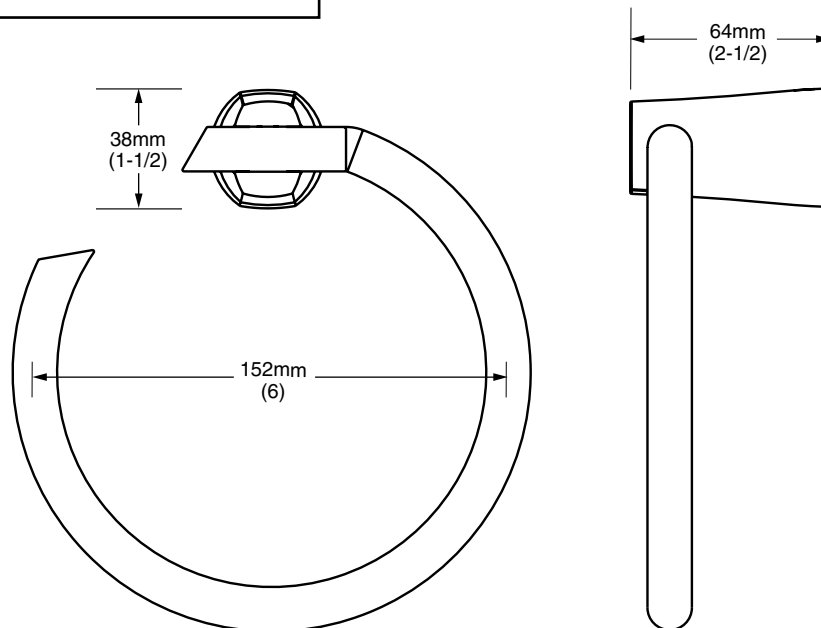


**MODEL NUMBER:**

☐ 7010.190 Towel Ring

**Available Finishes**

.002	Polished Chrome
.075	PVD Stainless Steel



**PRODUCT FEATURES:**

**Materials of Construction:** Highest quality materials for durability & long life.

**Concealed Mounting:** No exposed set screws.

**Easy to Install**

**Durability of Finishes:** Chrome and PVD finishes will never tarnish.

**SUGGESTED SPECIFICATION:**

Towel Ring shall feature heavy-duty construction with tarnish - free PVD finish. Shall feature concealed mounting with no exposed set screws. Towel Ring shall be American Standard Model # 7010.190.\_\_\_\_.