

American Standard

COMMERCIAL

METERING FAUCETS Pillar Tap Faucet



MODEL NUMBER:

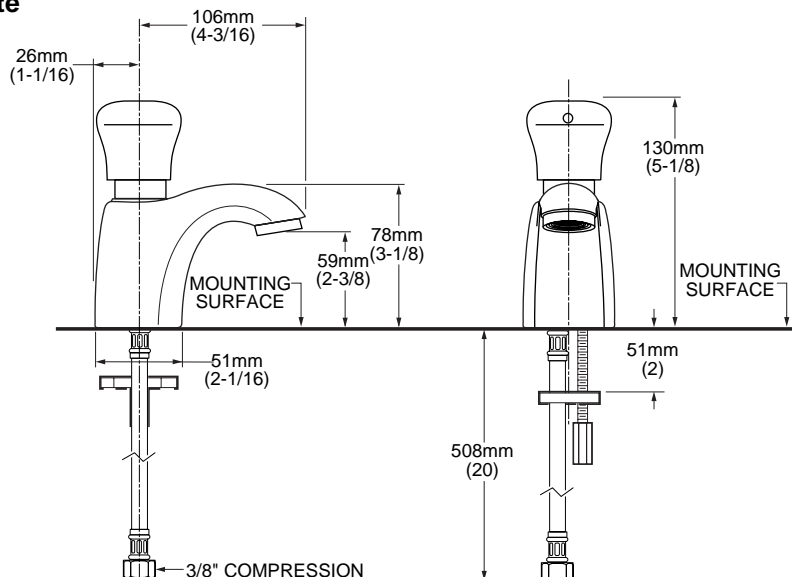
- **1340.105** Cast spout, 1.5 GPM vandal resistant male aerator, no grid drain
- **OPTIONAL 4" or 8" Deck plates**
 - 605P.400 4" brass deck plate with 1/4" fixation studs and quick spin nuts. (6-1/8" x 2-1/8" x 1/2")
 - 605P.800 8" brass deck plate with 1/4" fixation studs and quick spin nuts. (10-1/8" x 2-3/8" x 1/2")

GENERAL DESCRIPTION:

Metering pillar tap faucet. Vandal resistant solid brass construction. Easy-push handle. Water conserving aerator 1.5 GPM set for a maximum of 0.25 gallon flow per activation. Replaceable cartridge. Adjustable flow cycle.

PRODUCT FEATURES:

- **Vandal-Resistant Brass Construction and Aerator:** Durable - Excellent in high use applications.
- **Automatic Shut-off:** Stops water and energy waste. Ideal for public restrooms where uncontrolled water usage is costly.
- **Meets ADA Standard:** Requires less than 5 lbs. of operating force to initiate flow per ANSI A117.1.
- **Single Handle Design:** Eliminates the possibility of scalding which can occur with two handle designs - when the cold side turns off before the hot.
- **Adjustable Flow Cycle**
- **Replaceable Valve Cartridge:** Facilitates simple replacement.
- **Mixing Valve** optional to be ordered separately.
- **Flexible Supply Hose:** With 3/8" Compression Connection
- **Optional 4" or 8" Deck Plate**



SUGGESTED SPECIFICATION


Metering faucet shall feature a single handle vandal-resistant brass construction with a replaceable valve cartridge and an adjustable flow cycle. Shall also feature a vandal-resistant aerator which maintains flow below the maximum 0.25 gallons per cycle required by ANSI A112.18.1M. Push button activator shall meet ANSI A117.1 Standard. Fitting shall be American Standard Model # 1340.____._____

METERING FAUCETS Pillar Tap Faucet

CODES AND STANDARDS

These products meet or exceed the following codes and standards:

- ANSI A117.1
- ASME A112.18.1
- CSA B 125

 Meets the American Disabilities Act Guidelines and **ANSI A117.1** Requirements for the physically challenged.

