



Retrospect Collection
COUNTERTOP SINK

- Classically-styled self-rimming countertop sink
- Retrofits in any 20" x 17" cutout
- Made from vitreous china
- Front overflow
- Supplied with cutout template
- **Part of design matched Retrospect Collection**

- 0291.004** Faucet holes on 4" (203mm) centers
- 0291.008** Faucet holes on 8" (102mm) centers (illustrated)

Nominal Dimensions:
 23" x 18" x 6-1/2"
 (584 x 457 x 165mm)

Bowl sizes:
 16-5/8" (422mm) wide,
 11-1/4" (286mm) front to back,
 6-1/2" (159mm) deep

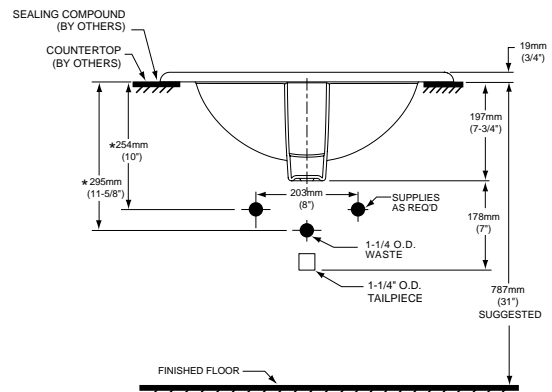
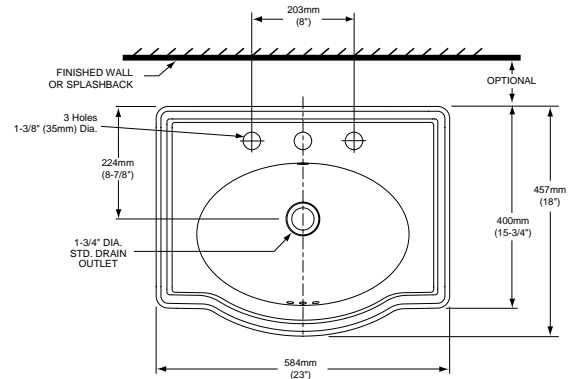
Compliance Specifications - Meets or Exceeds the Following Specifications:

- ASME A112.19.2M for Vitreous China Fixtures
- CAN/CSA B45 Series

MEETS THE AMERICAN DISABILITIES ACT GUIDELINES AND ANSI A117.1 ACCESSIBLE AND USEABLE BUILDINGS AND FACILITIES - CHECK LOCAL CODES.
 Install lavatory 864mm (34") from finished floor. Lavatory installed 51mm (2") minimum from front edge of countertop.

To Be Specified

- Color: White only
- Recommended Faucet: 2373.701
- Faucet Finish:
- Supplies:
- 1-1/4" Trap:



NOTES:
 * DIMENSIONS SHOWN FOR LOCATION OF SUPPLIES AND "P" TRAP ARE SUGGESTED. FOR COUNTERTOP CUTOUT AND INSTALLATION INSTRUCTIONS USE TEMPLATE SUPPLIED WITH LAVATORY.
 FITTINGS NOT INCLUDED AND MUST BE ORDERED SEPARATELY.
IMPORTANT: Dimensions of fixtures are nominal and may vary within the range of tolerances established by ANSI Standard A112.19.2.
 These measurements are subject to change or cancellation. No responsibility is assumed for use of superseded or voided pages.