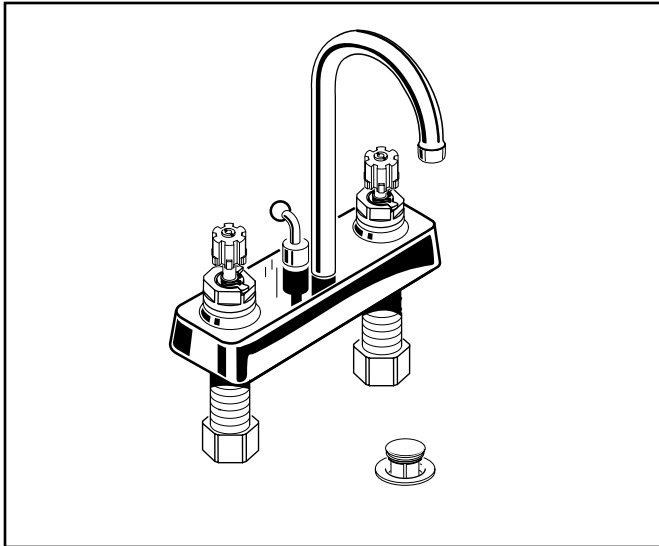


# American Standard

# HERITAGE

## TWO-HANDLE CENTERSET LAVATORY FAUCET WITH GOOSENECK SPOUT

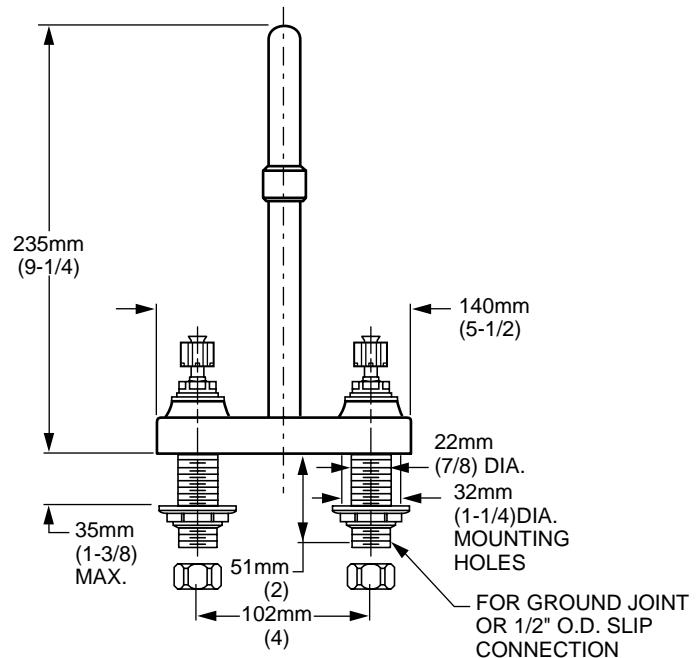
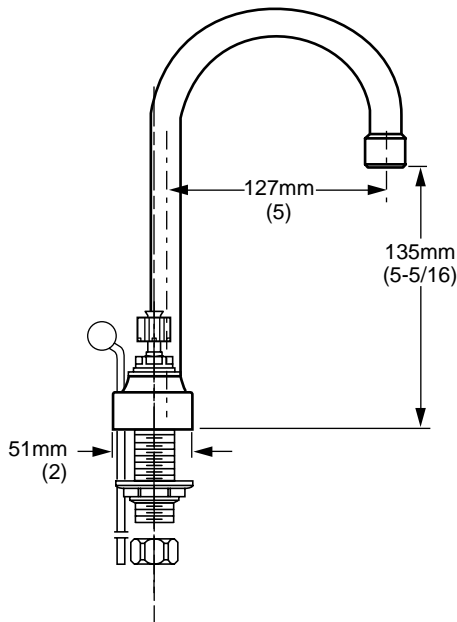


7401.000 Shown. Handles must be ordered separately.

### MODEL NUMBER:

- 7400.000 Centerset Lavatory**  
Gooseneck Spout. Less drain. Less pop-up hole.  
Less handles.
- 7401.000 Centerset Lavatory**  
Gooseneck spout. Pop-up drain. Less handles.
- 7402.000 Centerset Lavatory**  
Gooseneck spout. Grid strainer drain. Less handles.

**Handles must be ordered separately.**



### GENERAL DESCRIPTION:

Durable cast brass construction. Amaris 1/4 turn washerless ceramic disc valve cartridges - reversible for use with either lever or round handles. Brass spout. One-half inch male inlet shanks with brass coupling nuts and shank nuts. All brass drain body with 1-1/4" (32mm) tailpiece. 2.2 gpm/8.3L/min. maximum flow rate.

### PRODUCT FEATURES:

**Solid Brass Construction:** Durable - Excellent in high use applications. Ideal for prolonged contact with water.

**Ceramic Disc Valve Cartridges:** Assures a lifetime of drip-free performance.

**Low Lead:** Meets NSF Standard 61/Section 9 & Prop 65 lead requirements.

**Wide Selection of Styles and Configurations:** Full range of interchangeable fittings for residential and institutional applications.

### SUGGESTED SPECIFICATION:

4" centerpiece lavatory faucet shall be cast brass construction with all brass shank nuts and coupling nuts. Shall also feature 1/4 turn washerless ceramic disc valve cartridges that are reversible for use with round or lever handles. Fitting shall be American Standard Model # \_\_\_\_\_ and handle kit # 0000.\_\_\_\_\_.



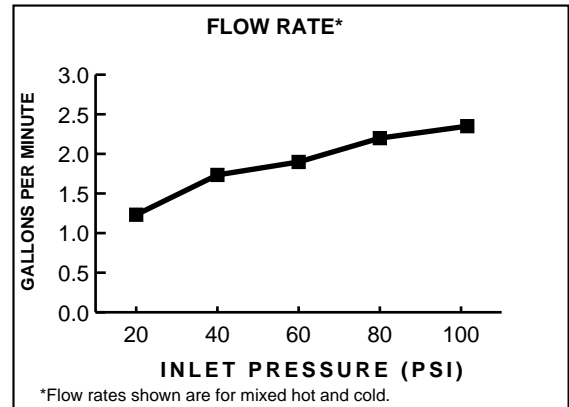
HERITAGE

**TWO-HANDLE CENTERSET  
LAVATORY FAUCET  
WITH GOOSENECK SPOUT**

**CODES AND STANDARDS**

These products meet or exceed the following codes and standards:

- ASME A112.18.1M
- CSA B 125
- NSF 61/Section 9



Product Number	Description	Finish
		Polished Chrome
		002
7400.000	Centerset lavatory faucet. Less Drain. Less handles.	
7401.000	Centerset lavatory faucet. Pop-up drain. Less handles.	
7402.000	Centerset lavatory faucet. Grid Strainer drain. Less handles.	

**Handles must be ordered separately.**

To order **Less Handles** - Specify: 4 digit Style number followed by three zeros and 3 digit finish number.  
Example 7400.000.002 = Centerset Lavatory, Less Drain in Polished Chrome finish.

The above fittings will accept the following Amarilis-Series handles. \*

172H 172V	152H 152V	142H 142V	102H 102V	112H	902 912	862

\*See Section N for additional information on handle kits.

Meets the American Disabilities Act Guidelines and **ANSI A117.1** Requirements for the physically challenged.