

American Standard

Installation Instructions 4223



Bar Sink Faucet

Thank you for selecting American-Standard...the benchmark of fine quality for over 100 years.

To ensure that your installation proceeds smoothly—please read these instructions carefully before you begin.



Certified to comply with ASME A112.18.1M

M968414

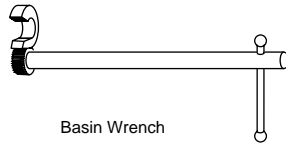
TOOLS REQUIRED



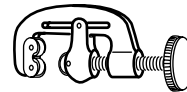
Channel Locks



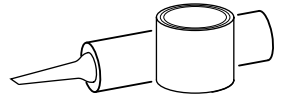
Adjustable Wrench



Basin Wrench



Tubing Cutter



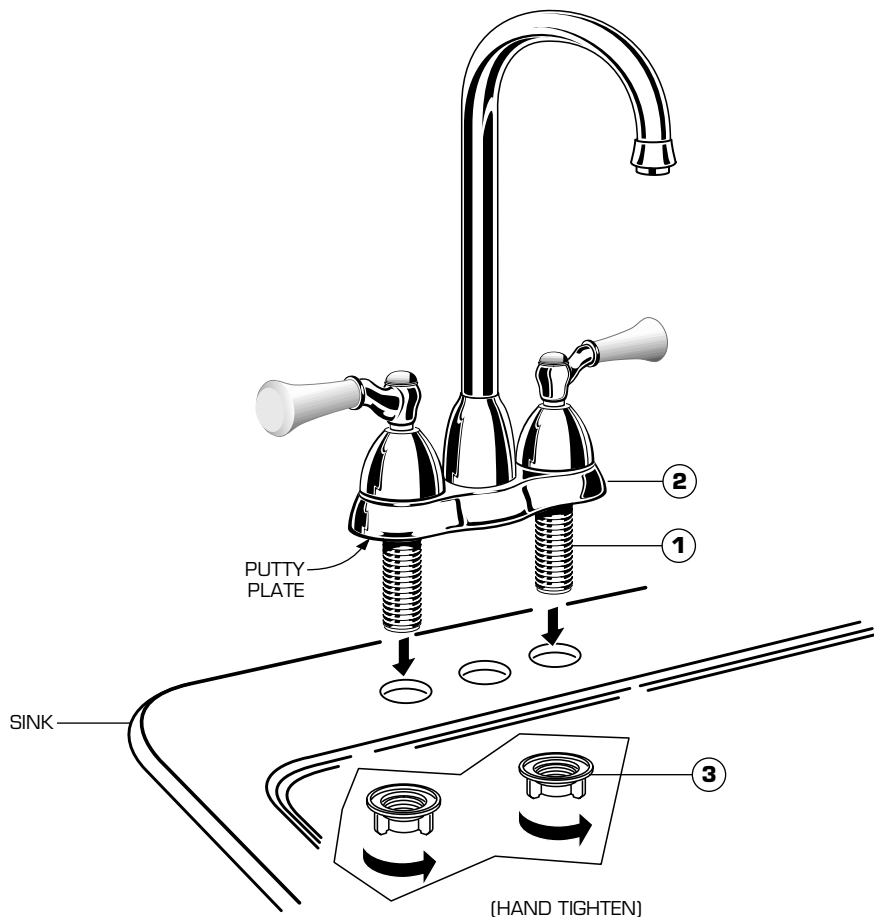
Plumbers' Putty or Caulking

1 INSTALL FAUCET

CAUTION

Turn off hot and cold water supplies before beginning.

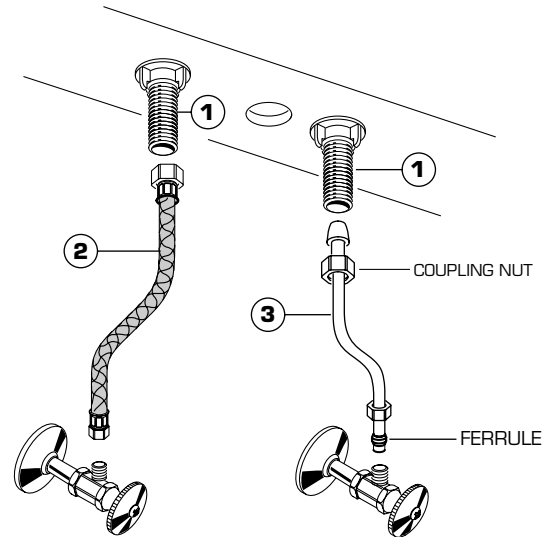
- Insert faucet SHANKS (1) through holes of SINK. Place faucet as far forward as possible.
- Secure FAUCET (2) with ATTACHMENT NUTS (3) supplied and hand tighten.



2 MAKE WATER SUPPLY CONNECTIONS

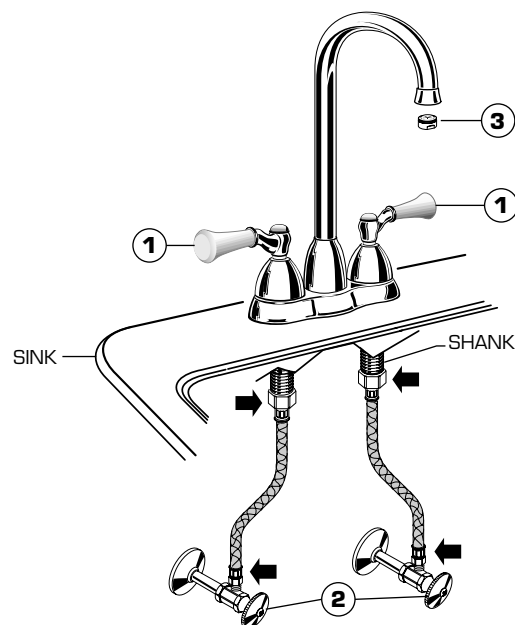
NOTE: FLEXIBLE SUPPLIES OR BULL-NOSE RISERS MUST BE PURCHASED SEPARATELY.

- Connect water supply to FAUCET SHANKS (1) with 1/2" IPS FLEXIBLE SUPPLIES (2) or 3/8" O.D. BULL-NOSE RISERS (3).
- Use adjustable wrench to tighten connections. Do not over tighten. Be careful not to kink copper supply when bending. Use tubing cutter to cut to proper length.



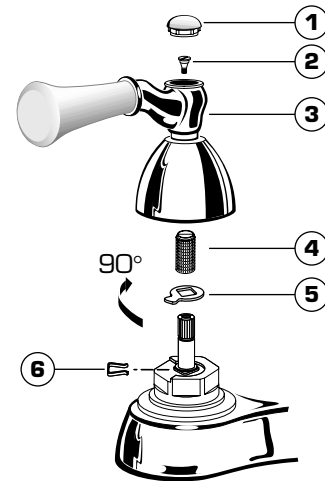
3 TEST INSTALLED FITTING

- With HANDLES (1) in OFF position, turn on WATER SUPPLIES (2) and check all connections for leaks.
- Remove AERATOR (3).
- Operate both HANDLES (1) to flush water lines thoroughly.
- Replace AERATOR (3).



4 SERVICE

- To change direction of handle rotation, proceed as follows:
 - Turn valve to OFF position.
 - Pull out INDEX CAP (1) and remove HANDLE SCREW (2).
 - Pull off HANDLE (3).
 - Pull off STEM ADAPTER (4).
 - Remove SPRING CLIP (6).
 - Lift STOP WASHER (5), turn 90° and replace.
 - Replace SPRING CLIP (6) and STEM ADAPTER (4).
 - Reinstall HANDLE ASSEMBLY (1, 2 & 3).
- If spout drips, operate handles several times from OFF to ON position. Do not force - handles turn only 90°.



5 CARE INSTRUCTIONS:

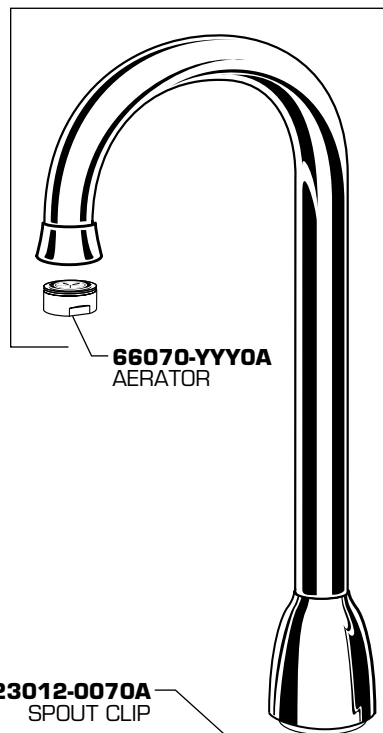
DO: SIMPLY RINSE THE PRODUCT CLEAN WITH CLEAR WATER. DRY WITH A SOFT COTTON FLANNEL CLOTH.

DO NOT: CLEAN THE PRODUCT WITH SOAPS, ACID, POLISH, ABRASIVES, HARSH CLEANERS, OR A CLOTH WITH A COARSE SURFACE.

Bar Sink Faucet

MODEL NUMBER

4223



M926266-YYY0A
SPOUT KIT

66070-YYY0A
AERATOR



M961162-0070A
INDEX BUTTON (HOT)
M961163-0070A
INDEX BUTTON (COLD)



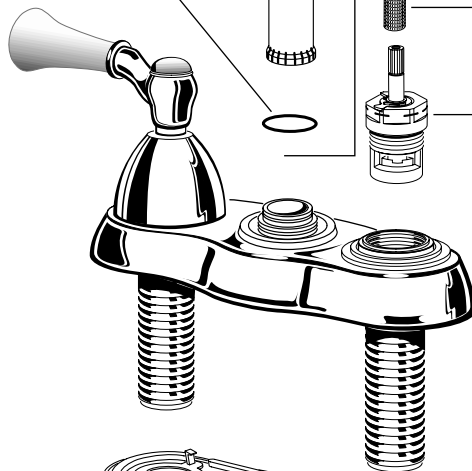
A918572-0070A
HANDLE SCREW



M962243-YYY0A
LEVER HANDLE

923012-0070A
SPOUT CLIP

073542-0070A
O-RING

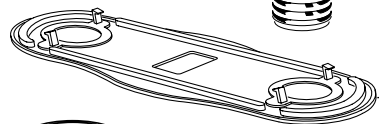


M918049-0070A
ADAPTER

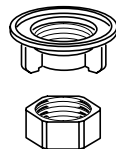
994053-0070A
VALVE

Replace the "YYY" with appropriate finish code

CHROME	002
SATIN	295



M923048-0070A
PUTTY PLATE



065800-0070A
ATTACHMENT NUT

024220-0070A
SUPPLY NUT



HOT LINE FOR HELP
For toll-free information and answers to your questions, call:
1-800-442-1902
Weekdays 8:00 a.m. to 8:00 p.m. EST
IN CANADA 1-800-387-0369 (TORONTO 1-905-306-1093)
Weekdays 8:00 a.m. to 7:00 p.m. EST

Product names listed herein are trademarks of American Standard Inc.
© American Standard Inc. 2003