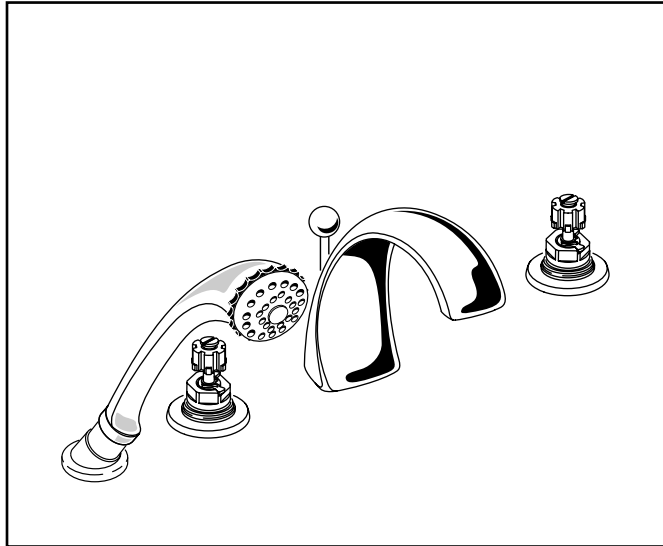


## DECK-MOUNT TUB FILLER WITH LEXINGTON SPOUT

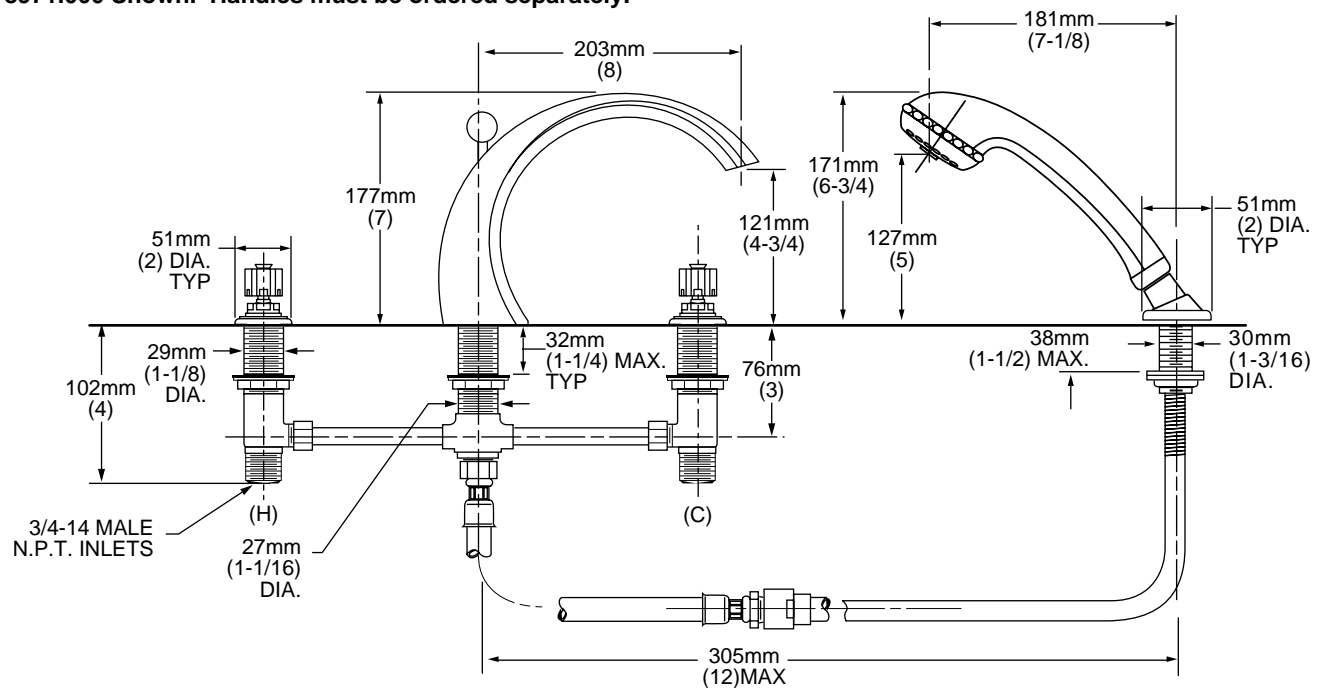


8971.000 Shown. Handles must be ordered separately.

### MODEL NUMBER:

- ☐ **8971.000 Deck-Mount Tub Filler**  
SOFT personal shower. Less handles.
- ☐ **8970.000 Deck-Mount Tub Filler**  
Less personal shower. Less handles.

**Handles must be ordered separately.**



### GENERAL DESCRIPTION:

Durable cast brass spout with built-in diverter (on 8971.000). Rigid brass and copper waterway below deck provided for 12" installations (can be cut for 8" installations). Brass valve bodies with 3/4" NPT inlets with brass coupling nuts. Amarilis 1/4 turn washerless ceramic disc valve cartridges - reversible for use with either lever or round handles. Personal shower features a 6-1/2' long hose (1-1/2' heavy duty hose and 5' decorative hose.)

### PRODUCT FEATURES:

**Brass Construction:** Durable. Ideal for prolonged contact with water. Provides the finest surface for application of finishes.

**Ceramic Disc Valve Cartridges:** Assures a lifetime of drip-free performance.

**Flex Set Packaging:** Full range of interchangeable handle styles.

**Choice of Finishes:** Wide range of durable finishes.

### SUGGESTED SPECIFICATION:

Two handle deck-mount tub filler shall feature cast brass construction with brass and copper waterway. Shall also feature 1/4 turn washerless ceramic disc valve cartridges that are reversible for use with round or lever handles. Fitting shall be American Standard Model # \_\_\_\_\_ and handle kit # 0000.\_\_\_\_\_.

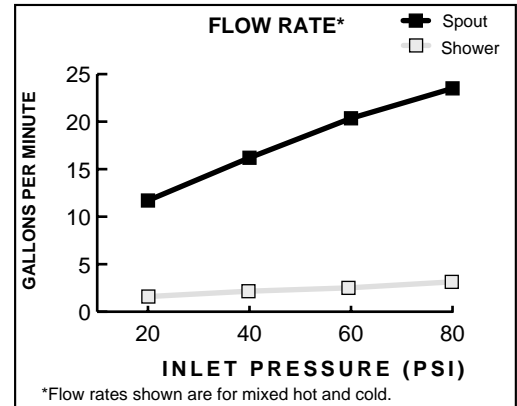
## DECK-MOUNT TUB FILLER WITH LEXINGTON SPOUT

### CODES AND STANDARDS

These products meet or exceed the following codes and standards:

**ASME A112.18.1M**  
**CSA B125**

Check local plumbing codes. Some installations may require a vacuum breaker.



Product Number	Description	Finish Options				
		Polished Chrome	PVD Polished Brass	PVD Satin	PVD Satin /Brass Mixage	PChrome /PVD Brass Mix.
		002	099	295	297	299
8971.000	Tub Filler. SOFT personal shower. Less handles.					
8970.000	Tub Filler. Less personal shower. Less handles.					

### Handles must be ordered separately.

To order **Less Handles** - Specify: 4 digit Style number followed by three zeros and 3 digit finish number.  
Example 8971.000.002 = Deck-Mount Tub Filler with SOFT personal shower in Polished Chrome finish.

### The above fittings will accept the following Amarilis-Series handles.\*

452	442	462	432	552	542	572	372H 372V	352H 352V	342H 342V	102H 102V	112H	902 912	862	872	892

\* See Section N for additional information on handle kits.

Meets the American Disabilities Act Guidelines and **ANSI A117.1** Requirements for the physically challenged.