

Operating Instructions

SELECTRONIC™ REMOTE CONTROL FOR MULTIFUNCTION SENSOR 605XRCL



Description	1
Operating Instructions	1, 2
Function and Default Chart	3
Service	3

Certified to comply with ASME A112.18.1M
© 2005 American Standard

M968849

American Standard

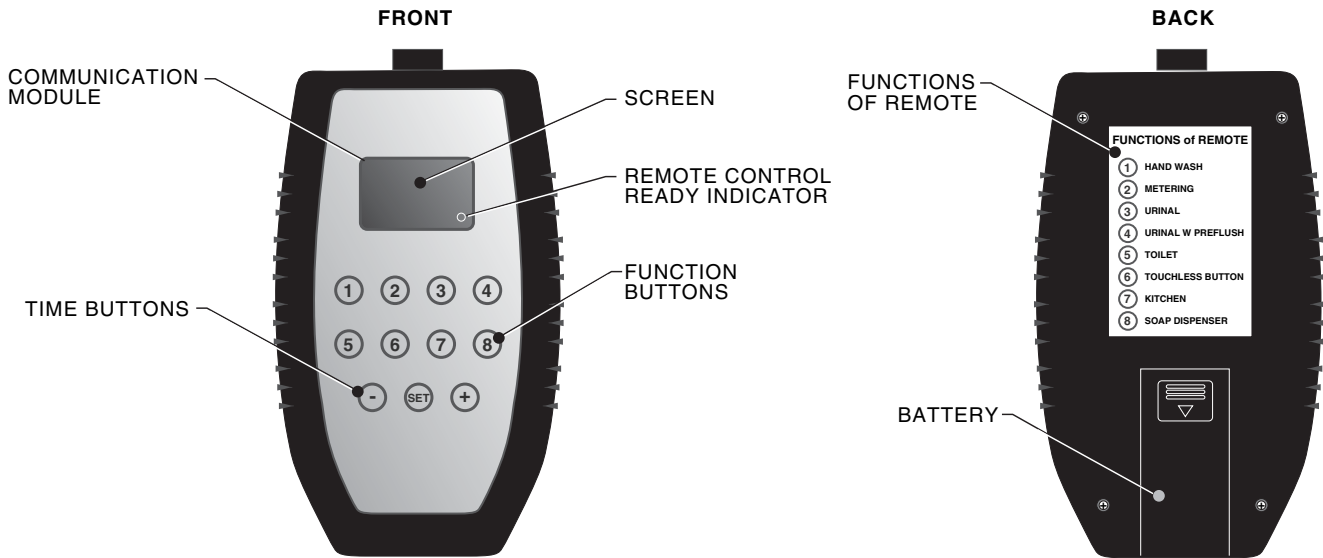
NOTE TO INSTALLER: Please give this manual to the customer after installation.

To learn more about American Standard Faucets visit our website at: www.us.amstd.com or U.S. customer's e-mail us at: faucetsupport@amstd.com

For Parts, Service, Warranty or other Assistance,
please call **1-800-442-1902 (In Canada: 1-800-387-0369)**
(In Toronto Area only: 1-905-3061093)

DESCRIPTION

The remote control is used to set different possible functions of the multifunction sensor. This remote control incorporates a communication module, which permits the data exchange with the sensor, a keypad with buttons for each of the eight (8) functions, and three (3) additional buttons to set the time values. A screen displays the time values.



OPERATING INSTRUCTIONS

The Remote Control can be used to set three different operations.

1. Set the Function
2. Set the Sensor Range
3. Set the Operation Time

Notes:

1. In order to complete any of the 3 operations listed above, the user must always start at the beginning of Step 1: 'TO SET THE FUNCTION.'
2. After approximately two minutes of non-use, the remote control switches off. Pushing any button will put it back in the ready mode. The small Red Dot indicates the remote control is 'READY'.

Step 1 TO SET THE FUNCTION;

Fig. 1.

1. Locate the REMOTE (1) 6" (150mm) in front of the SENSOR (2).
2. Press the Numbered Button corresponding to the desired function. (see label on back of the REMOTE CONTROL (1) which indicates the number that corresponds to each function).
3. Hold button down until SENSOR (2) blinks. Blinking will last for 5 seconds. Once blinking stops, the function has been set.

Note: For each function there are default settings for the Sensor Range and Operation Time (see Chart 1 pg.3). Once the function is set, the default settings will be used unless you proceed to Steps 2 & 3.



Step 2 TO SET THE SENSOR

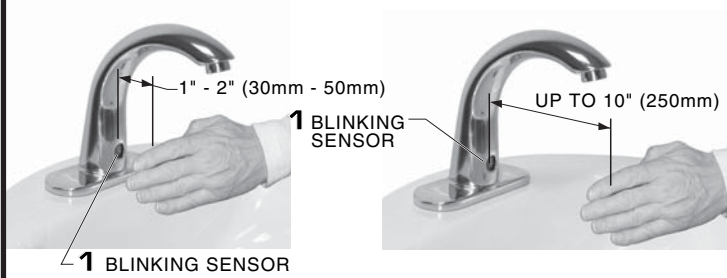
RANGE; Fig. 2.

1. In order to set the Sensor Range, you must start by setting the function. (See Step 1).
2. Once you press the Function Button, the SENSOR (1) will blink for 5 seconds. While the SENSOR (1) is blinking the Sensor Range can be adjusted. (Detection Zone) Fig. 2.
3. With the SENSOR (1) blinking place your hand 1" to 2" (25-50mm) in front of the SENSOR (1). Fig 2a.
4. When the SENSOR (1) stops blinking and stays "ON", move your hand to the desired position and hold in place until the SENSOR (1) begins to blink again. (If SENSOR (1) does not stay on, then you didn't put your hand in the Sensor Range within the allotted 5 seconds. You must go back to Step 1 and start again).
5. Once the Sensor begins to blink again, remove your hand from the Detection Zone. When the flashing stops, the detection distance is set. Fig. 2a.
6. You may skip Step 2 and SENSOR (1) will default to Sensor Range determined for the Function selected in STEP 1. See Chart 1 (pg. 3) for default Sensor Ranges.

Fig. 2



Fig. 2a



Step 3 TO SET THE OPERATION

TIME; Fig. 3.

1. After you complete Steps 1 & 2, you may see a Time Value on the REMOTE CONTROL (1).
2. Some Functions do not have sensor determined Operation Times (for example Hand Wash, kitchen and Soap Dispenser). For these functions no Time Value will appear on the REMOTE CONTROL (1).
3. To change the operation time, press the '-' or '+' TIME BUTTONS (2). (Note: Operation Time Intervals are predetermined and cannot be adjusted. See Chart 1 (pg. 3) for Operation Time Intervals).
4. Once the desired Time Value is displayed, locate the REMOTE CONTROL (1) 6" (150mm) in front of the SENSOR (3) and press the 'SET' button. Fig. 3a.
5. The SENSOR (3) will flash one time to indicate the new value has been set. (If the SENSOR (3) continues to flash rapidly, then there was an error in the transmission, and you must start again from STEP 1).
6. You may skip Step 3 and the SENSOR (3) will default to the Operation Time determined for the Function selected in STEP 1. See Chart 1 for Default Operation Times. (pg. 3).

Fig. 3

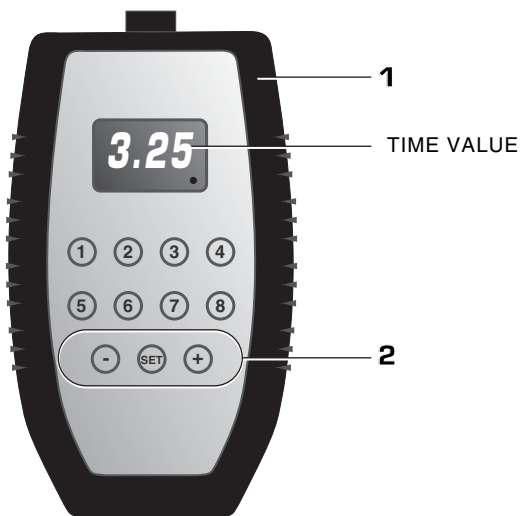
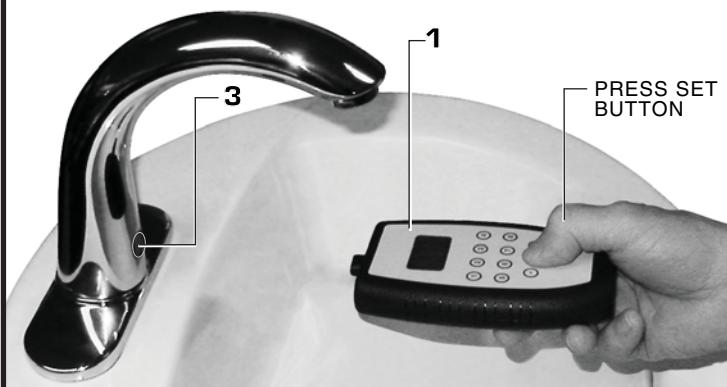


Fig. 3a



SERVICE

1 HOW TO REPLACE BATTERY; Fig. 1.

1. The 9 Volt BATTERY (1) is located in the back of REMOTE CONTROL (2).
2. Press down with thumb on Battery Door (3) and slide Door (3) as shown to remove.
3. Remove 9 Volt BATTERY (1) and replace with new 9 Volt BATTERY (1).
4. Replace BATTERY DOOR (3). To Check Remote (2) push any function button on front. If Ready Light goes on REMOTE CONTROL (2) is working.

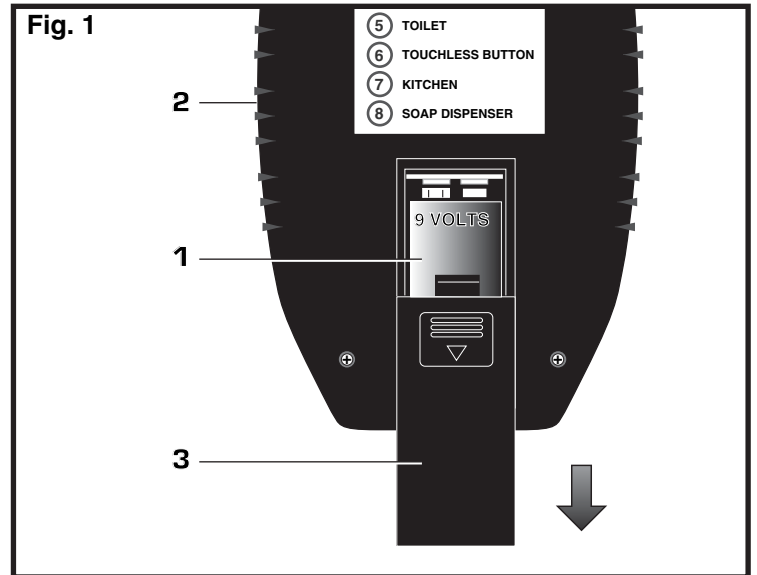


Chart 1: Function and Default Chart

FUNCTION	SENSOR RANGE DEFAULT inches (mm)	OPERATION TIME DEFAULT seconds	OPERATION TIME INTERVALS seconds
HAND WASH	4-3/4" (120)	N/A	N/A
METERING	4-3/4" (120)	15	3.25, 7.5, 15, 30, 60, 120, 240
URINAL	15-3/4" (400)	4	4, 6, 8, 10
URINAL W PREFLUSH	15-3/4" (400)	4	4, 6, 8, 10
TOILET	15-3/4" (400)	4	2, 2.5, 3, 4, 4.5, 5
TOUCHLESS BUTTON	2" (50)	15	3.25, 7.5, 15, 30, 60, 120, 240
KITCHEN	2" (50)	N/A	N/A
SOAP DISPENSER	2" (50)	N/A	N/A

American Standard