

American Standard

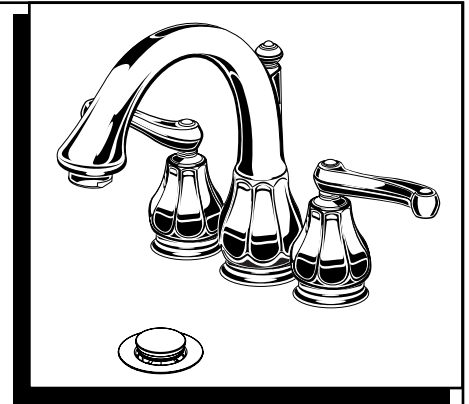
Installation Instructions

DAZZLE Mini-Spread Lavatory Faucet with POP-UP DRAIN

6028.240

Thank you for selecting American-Standard...the benchmark of fine quality for over 100 years.

To ensure that your installation proceeds smoothly—please read these instructions carefully before you begin.



Certified to comply with ANSI A1 12.18.1

M968491

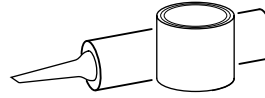
TOOLS REQUIRED



Channel Locks



Adjustable Wrench



Plumbers' Putty or Caulking



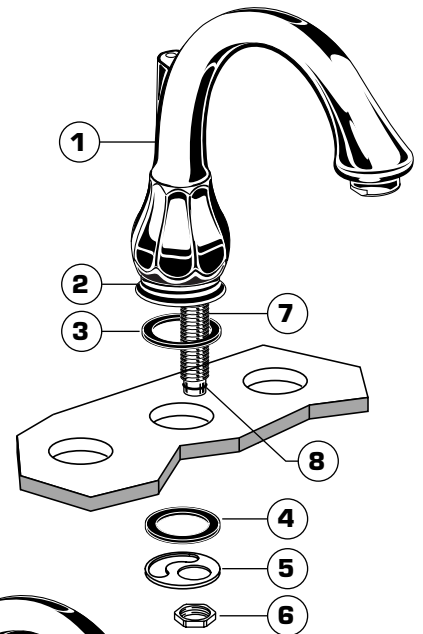
Phillips Screwdriver

1 INSTALL SPOUT

CAUTION

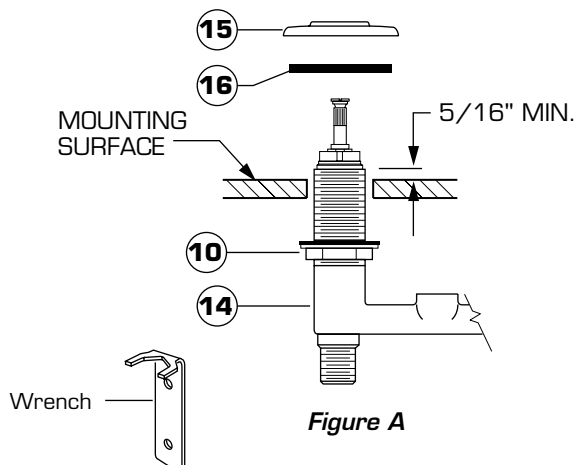
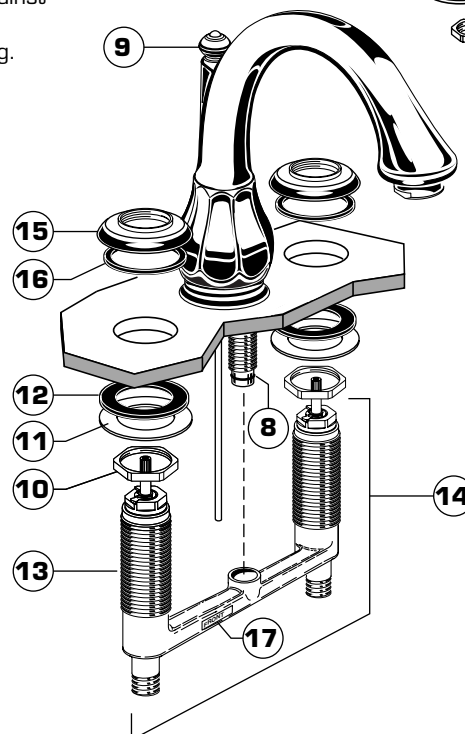
Turn off hot and cold water supplies before beginning.

- Insert SPOUT(1) through center hole, making sure the SPOUT ESCUTCHEON (2) and SEAL WASHER (3) are properly seated.
- Assemble RUBBER WASHER (4), BRASS WASHER (5) and LOCKNUT (6) onto SPOUT SHANK (7) from under side of sink. Make sure SPOUT (1) is centered in the mounting hole the slot in the BRASS WASHER (5) is in back and the O-RING (8) is seated at the end of SHANK (7).
- Tighten LOCKNUT (6) firmly.



1A INSTALL VALVE BODY

- Place RUBBER RING (16) into ESCUTCHEON (15). Be sure the LABEL (17) indicating the front of the fitting faces the front of the sink.
- Install LOCK NUTS (10), METAL WSHER (11) and RUBBER WASHER (12) onto VALVE SHANKS (13). From under side of mounting surface install VALVE BODY (14) through valve mounting holes. Make sure SPOUT SHANK O-RING (8) is pushed into Tee Section of VALVE BODY (14). Threads of both VALVE SHANKS (13) should extend at least 5/16 of a inch above mounting surface top. **See Figure A** Thread ESCUTCHEON (15) onto VALVE SHANKS (13) until snug against internal stop. If necessary, adjust LOCKNUTS (10).
- Tighten LOCK NUTS (10) with WRENCH SUPPLIED, to secure fitting.
- Drop LIFT ROD (9) through hole in BODY.



2 INSTALL POP-UP DRAIN

- Push Tail piece (11) down into Trap (C) (threaded end up).
- Thread Locknut (5), Washer (4) and Gasket (3) (Bevel side up) onto Drain Body (10).
- Apply a bead of Putty (D) to underside of Flange (2).
- Feed Drain Body (10) up through Sink (A) and thread the Flange (2) fully onto Drain Body (10).
- Tighten Locknut (5) firmly, keeping the pivot rod hole pointed towards the back of the sink.
- Assemble Pivot Rod (9) as shown in **Figure-4A**. Notice the position of the Concave Washer (G).
- Insert Pivot Rod (9) into Drain Body (10) and tighten Pivot Nut (F).
- Push TAILPIECE INSERT (12) into TAILPIECE (11) and push TAILPIECE up and thread tightly into DRAIN BODY (10).
- Position Extension Rod (7) onto Pop-Up Rod (E) and tighten Thumbscrew (6).
- Remove one end of Clip (8) from Pivot Rod (9) by squeezing ends together while sliding.
- Insert Pivot Rod (9) into second or third hole in Extension Rod (7) and reassemble Clip (8).
- Drop Stopper (1) into Drain Body (10).
- Adjust stopper height by repositioning Extension Rod (7) and tightening Thumbscrew (6).

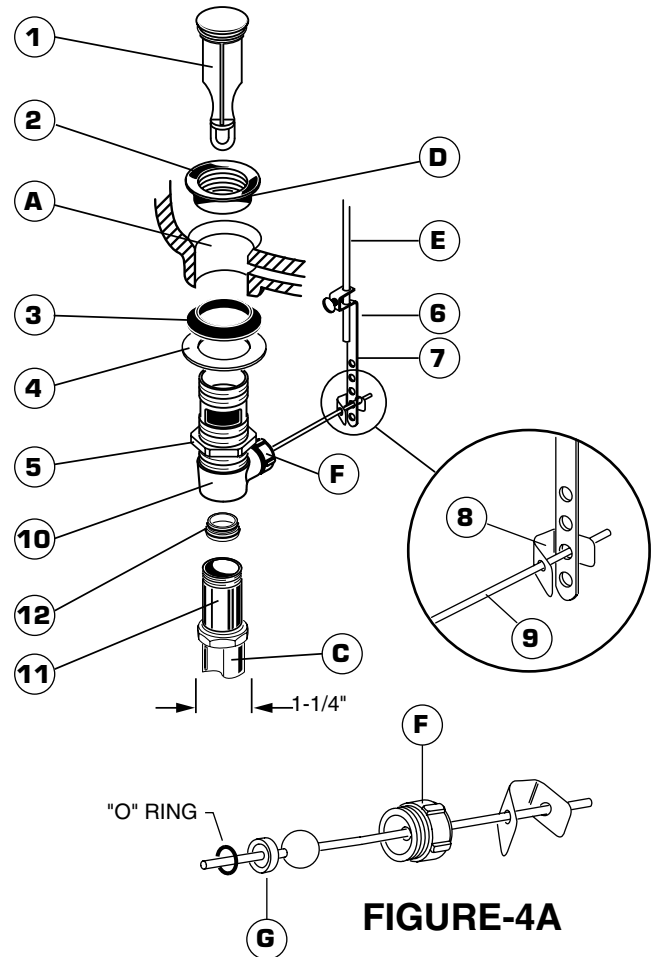
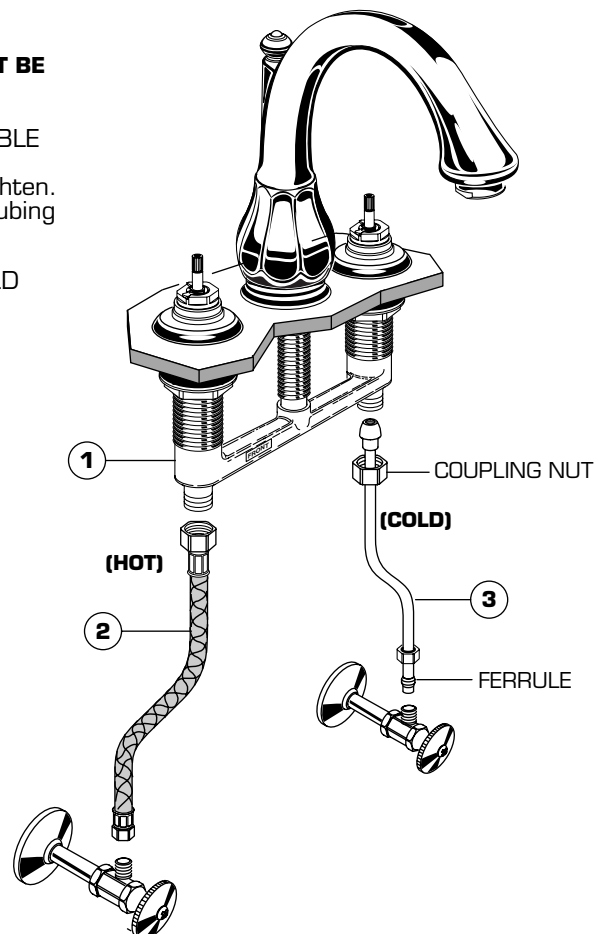


FIGURE-4A

3 SUPPLY CONNECTIONS

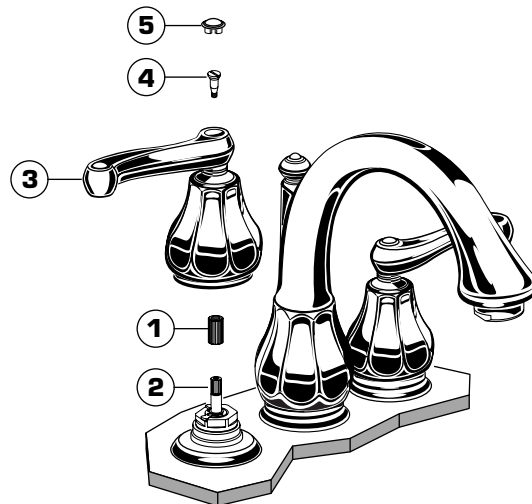
NOTE: FLEXIBLE SUPPLIES OR BULL-NOSE RISERS MUST BE PURCHASED SEPARATELY.

- Connect water supply to FAUCET (1) with 1/2" IPS FLEXIBLE SUPPLIES (2) or 3/8" O.D. BULL-NOSE RISERS (3). Use adjustable wrench to tighten connections. Do not over tighten. Be careful not to kink copper supply when bending. Use tubing cutter to cut to proper length.
- Connect HOT water supply to inlet of left SHANK and COLD water supply to right SHANK using sealant, appropriate connectors, and COUPLING NUTS.



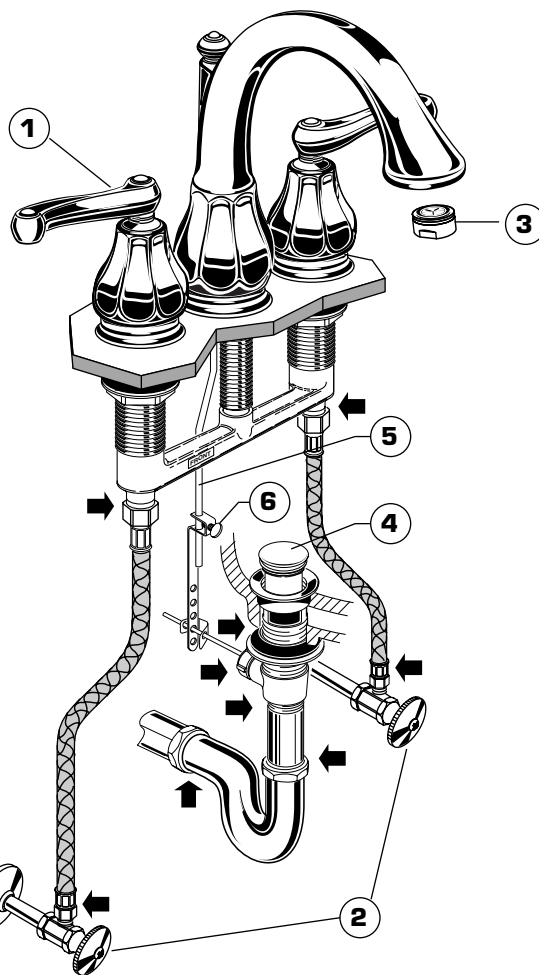
4 INSTALL HANDLES

- Turn VALVE into OFF position.
- Push ADAPTER (1) into VALVE STEM (2).
- Align HANDLE (3) and install onto ADAPTER (1).
- Install HANDLE SCREW (4) and tighten to secure HANDLE (3).
- Insert INDEX BUTTON (5).



5 TEST INSTALLED FITTING

- With HANDLES (1) in OFF position, turn on WATER SUPPLIES (2) and check all connections for leaks. ➡
- Remove AERATOR (3).
- Operate both HANDLES to flush water lines thoroughly.
- Replace AERATOR (3).



6 CHECK DRAIN CONNECTIONS

- Operate Pop-Up and fill lavatory with water. Check that DRAIN STOPPER (4) makes a good seal and retains water in lavatory. Adjust stopper height by repositioning Pop-Up Rod (5) and tightening Thumbscrew (6).
- Release DRAIN STOPPER (4) and check all drain connections and "P" trap for leaks. Tighten if necessary.

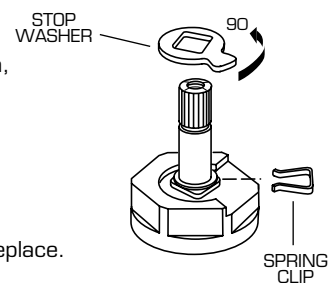
7 CARE INSTRUCTIONS:

DO: SIMPLY RINSE THE PRODUCT CLEAN WITH CLEAR WATER. DRY WITH A SOFT COTTON FLANNEL CLOTH.

DO NOT: CLEAN THE PRODUCT WITH SOAPS, ACID, POLISH, ABRASIVES, HARSH CLEANERS, OR A CLOTH WITH A COARSE SURFACE.

8 SERVICE

- To change direction of handle rotation, proceed as follows:
 - Turn valve to OFF position.
 - Pull out INDEX CAP and remove HANDLE SCREW.
 - Pull off HANDLE and remove ADAPTER.
 - Remove SPRING CLIP.
 - Lift STOP WASHER, turn 90° and replace.
 - Replace SPRING CLIP.
 - Reinstall HANDLE. (See step 4).



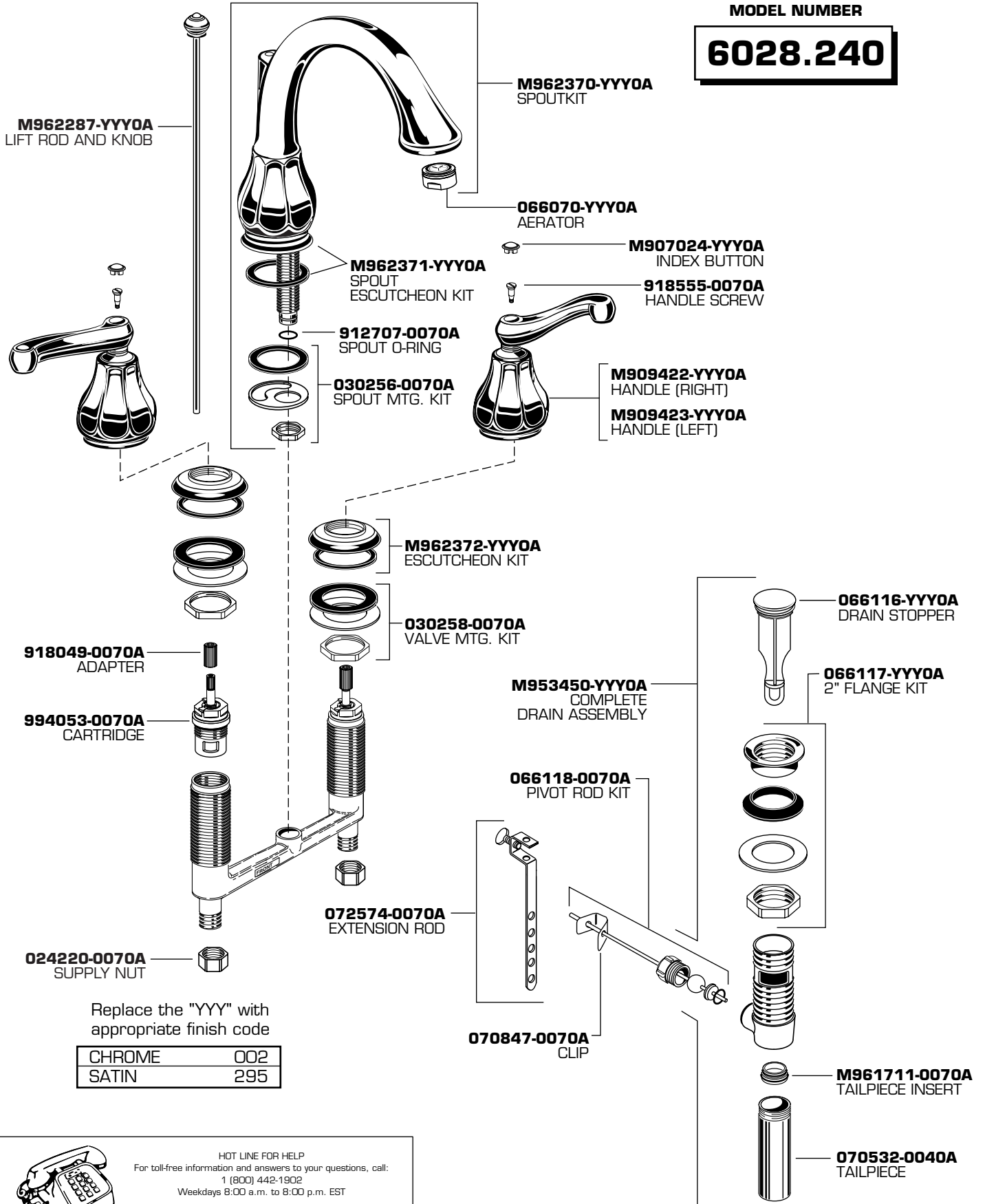
M968491

American Standard

DAZZLE MINI SPREAD FAUCET

MODEL NUMBER

6028.240



Replace the "YYY" with appropriate finish code

CHROME	002
SATIN	295



HOT LINE FOR HELP
For toll-free information and answers to your questions, call:
1 (800) 442-1902

Weekdays 8:00 a.m. to 8:00 p.m. EST

IN CANADA 1-800-387-0369 (TORONTO 1-905-306-1093)
Weekdays 8:00 a.m. to 7:00 p.m. EST

Product names listed herein are trademarks of American Standard Inc.
© American Standard Inc. 2004

M968491