

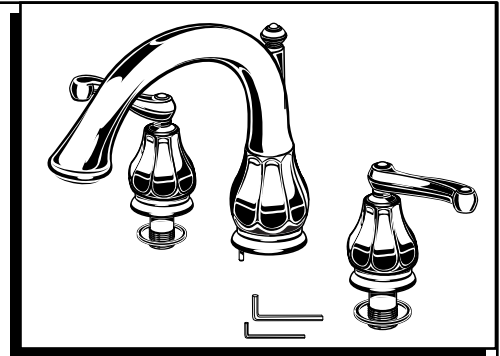
American Standard

DECK MOUNT TUB SYSTEMS DAZZLE TRIM KIT

Installation Instructions T028.900

Thank you for selecting American-Standard...the benchmark of fine quality for over 100 years.

To ensure that your installation proceeds smoothly—please read these instructions carefully before you begin.



Certified to comply with ANSI A112.18.1
U.S. Patent No. D403,750

M968495

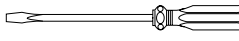
Required Tools



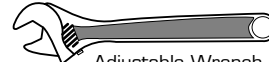
Drill with 3/16" bit



Phillips Screwdriver



Flat Blade Screwdriver



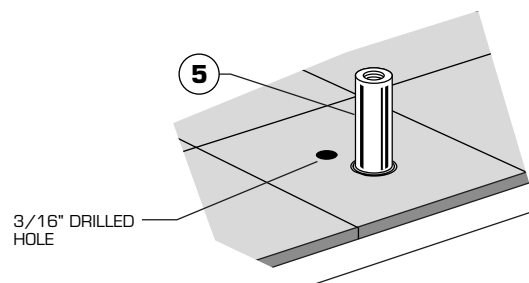
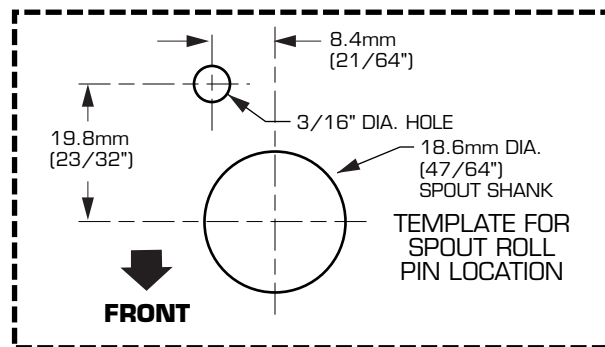
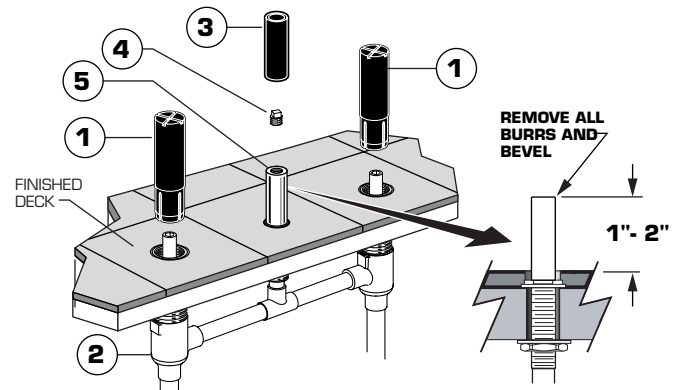
Adjustable Wrench



Channel Locks

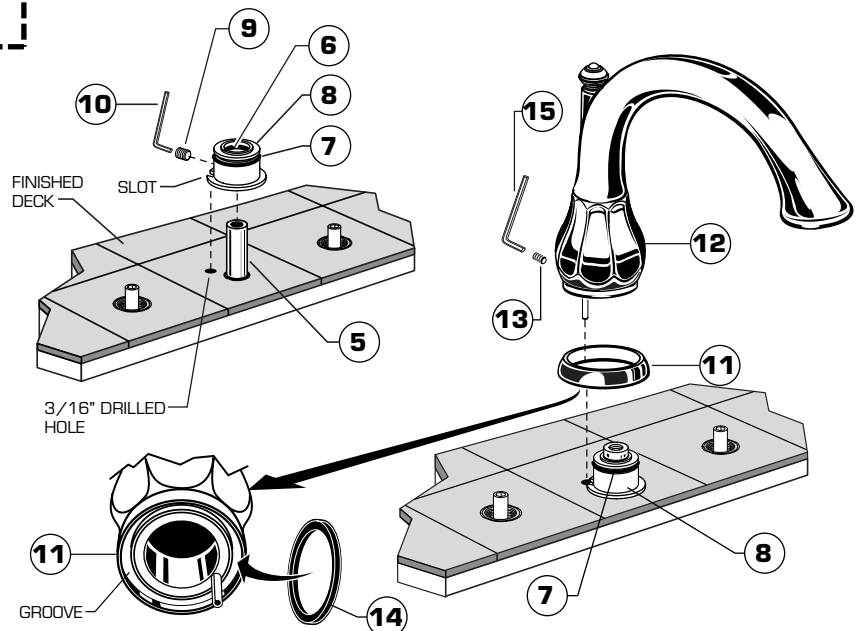
1 SPOUT INSTALLATION

- Complete FINISHED DECK before trim installation.
- Turn off the water supplies.
- Remove the GUARDS (1) from the VALVE BODIES (2). Remove the GUARD (3) and 1/4" PLUG (4) from the SPOUT SHANK (5).
- The SPOUT SHANK (5) height should be 1" to 2" above the FINISHED DECK. Cut the SPOUT SHANK (5) if necessary. **Remove all burrs and bevel the end of the shank. Failure to do so may damage the SPOUT O-ring during installation and cause water leakage.**
- Drill a 3/16" hole in the finished deck for spout locking pin. See TEMPLATE for location.



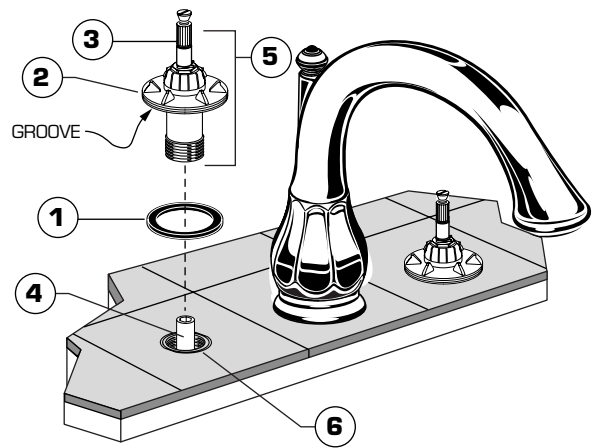
1A SPOUT INSTALLATION

- Lubricate the SPOUT ADAPTER O-RING (6) and SPOUT O-RING (7).
- Push SPOUT ADAPTER (8) on SPOUT SHANK (5) and align slot in SPOUT ADAPTER (8) with 3/16" drilled hole.
- Tighten SPOUT ADAPTER SET SCREW (9) securely with 4mm HEX KEY (10) supplied.
- Position the RUBBER RING (14) in the groove in the base of the ESCUTCHEON (11). Push the SPOUT (12) with ESCUTCHEON (11) down onto the SPOUT ADAPTER (8) and tighten the SET SCREW (13) securely with the 5mm HEX KEY (15) supplied.



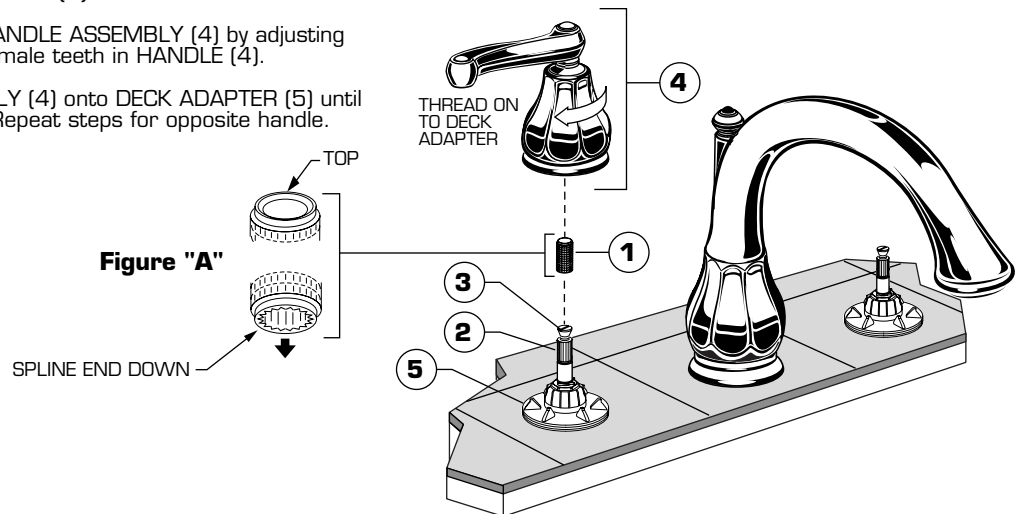
2 INSTALL HANDLE ADAPTERS

- Place the ESCUTCHEON SEALS (1) into groove of DECK ADAPTERS (2).
- Align the HANDLE STEM (3) with the SLEEVE (4) as necessary.
- Thread the HANDLE ADAPTER (5) into the VALVE BODY (6) until the DECK ADAPTERS (2) contacts tight against the finished deck.



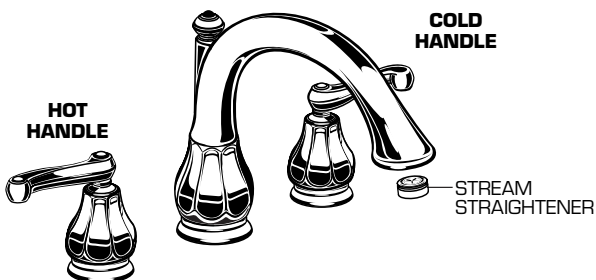
3 INSTALL HANDLES

- Push ADAPTER (1) on VALVE STEM (2), so that the hole of the ADAPTER (1) without a spline is facing up. See figure "A". Tighten STEM SCREW (3) to secure ADAPTER (1).
- Find correct position of LEVER HANDLE ASSEMBLY (4) by adjusting male teeth on ADAPTER (1) to female teeth in HANDLE (4).
- Thread LEVER HANDLE ASSEMBLY (4) onto DECK ADAPTER (5) until snug against mounting surface. Repeat steps for opposite handle.



4 TESTING

- Turn the HOT HANDLE clockwise and the COLD HANDLE counterclockwise to the off position.
- Unscrew and remove the STREAM STRAIGHTENER.
- Slowly turn on the water supplies.
- Operate the HANDLES to flush water lines thoroughly. Check SPOUT connection for leakage.
- Turn the Handles off. Replace the SPOUT END.

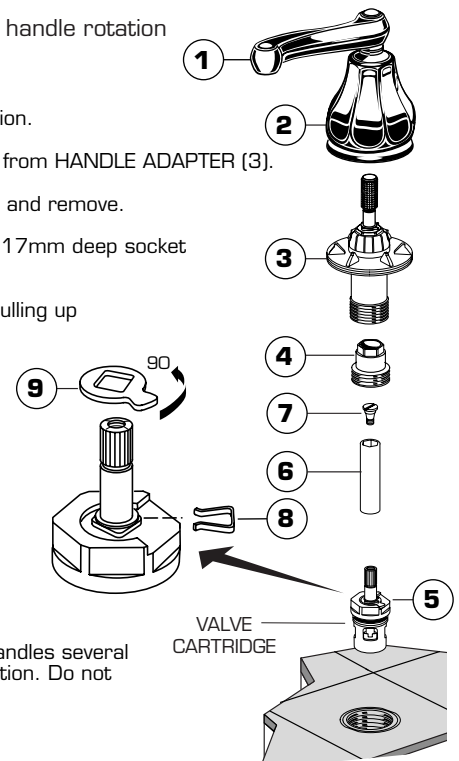


5 SERVICE

To change the direction of handle rotation

Turn off the water supplies

- Turn HANDLE (1) to the off position.
- Unthread the HANDLE BASE (2) from HANDLE ADAPTER (3).
- Unthread HANDLE ADAPTER (3) and remove.
- Remove VALVE LOCKNUT (4). A 17mm deep socket is required.
- Remove the CARTRIDGE (5) by pulling up on the SLEEVE (6).
- Remove SCREW (7) and pull off SLEEVE (6).
- Remove the SPRING CLIP (8).
- Remove the STOP WASHER (9). Turn it 90° and replace.
- Replace the SPRING CLIP (8).
- Reverse the above steps to reassembly the components.
- If the spout drips, operate the handles several times from the off to the on position. Do not force - the handles only turn 90°



American Standard

DAZZLE DECK MOUNT TUB FILLER TRIM KIT

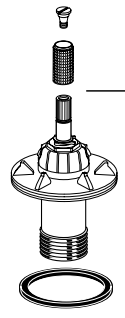
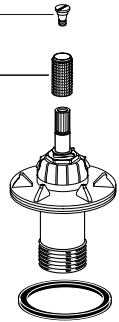
MODEL NUMBER

T028.900



918555-0070A
ADAPTER SCREW

918049-0070A
ADAPTER



M962379-YYY0A
SPOUT KIT

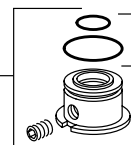
M962380-0070A
HANDLE ADAPTER
KIT



M907602-YYY0A
SPOUT ESCUTCHEON

911903-0070A
RUBBER RING

M961477-0070A
SPOUT ADAPTER KIT



M961478-0070A
SPOUT SEAL KIT

Replace the "YYY" with
appropriate finish code

CHROME	002
SATIN	295



HOT LINE FOR HELP
For toll-free information and answers to your questions, call:
1 (800) 442-1902
Weekdays 8:00 a.m. to 8:00 p.m. EST

IN CANADA 1-800-387-0369 (TORONTO 1-905-306-1093)
Weekdays 8:00 a.m. to 7:00 p.m. EST

Product names listed herein are trademarks of American Standard Inc.
© American Standard Inc. 2004

M968495

American Standard

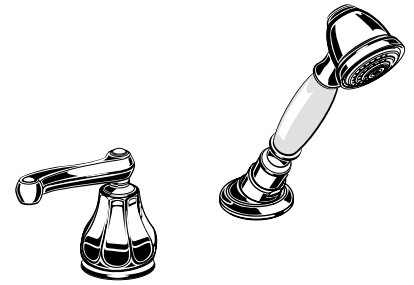
Installation Instructions T028.990

DECK MOUNT TUB FILLERS

DAZZLE DIVERTER & PERSONAL SHOWER TRIM KITS

Thank you for selecting American-Standard...the benchmark of fine quality for over 100 years.

To ensure that your installation proceeds smoothly—please read these instructions carefully before you begin.

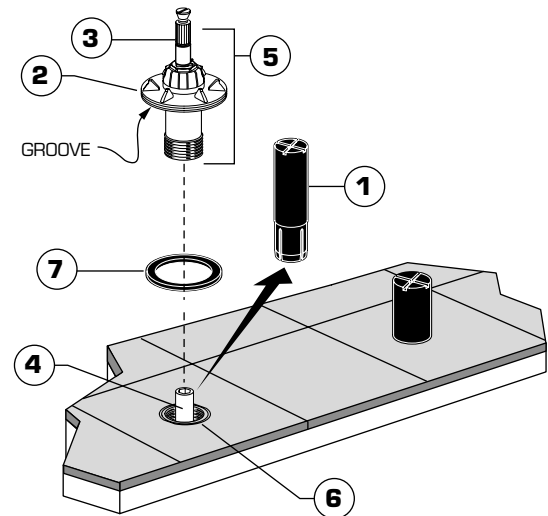


Certified to comply with ANSI A112.18.1
U.S. Patent No. D403,750

M968499

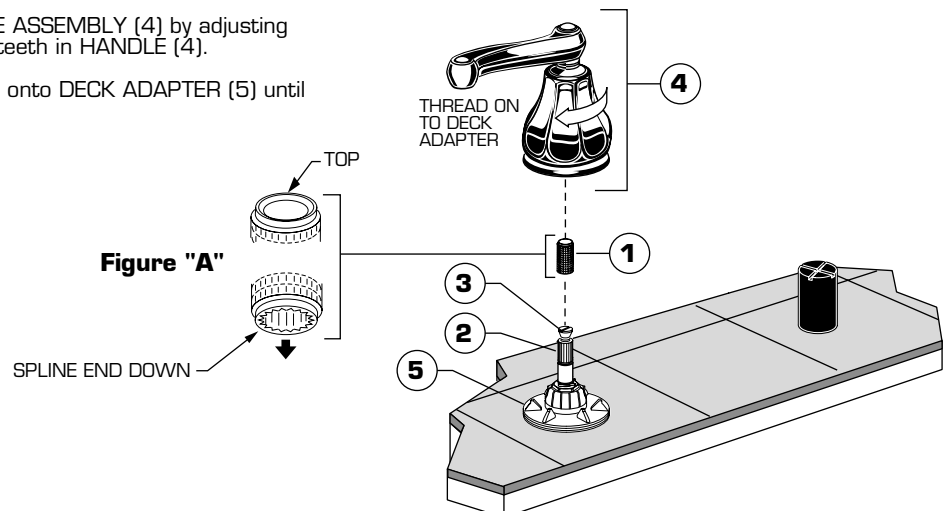
1 INSTALL HANDLE ADAPTER

- Remove DIVERTER GUARD (1) from valve.
- Place the ESCUTCHEON SEAL (7) into groove of DECK ADAPTER (2).
- Align the HANDLE STEM (3) with the SLEEVE (4) as necessary.
- Thread the HANDLE ADAPTER (5) into the VALVE BODY (6) until the DECK ADAPTER (2) contacts tight against the finished mounting surface.



2 INSTALL HANDLES

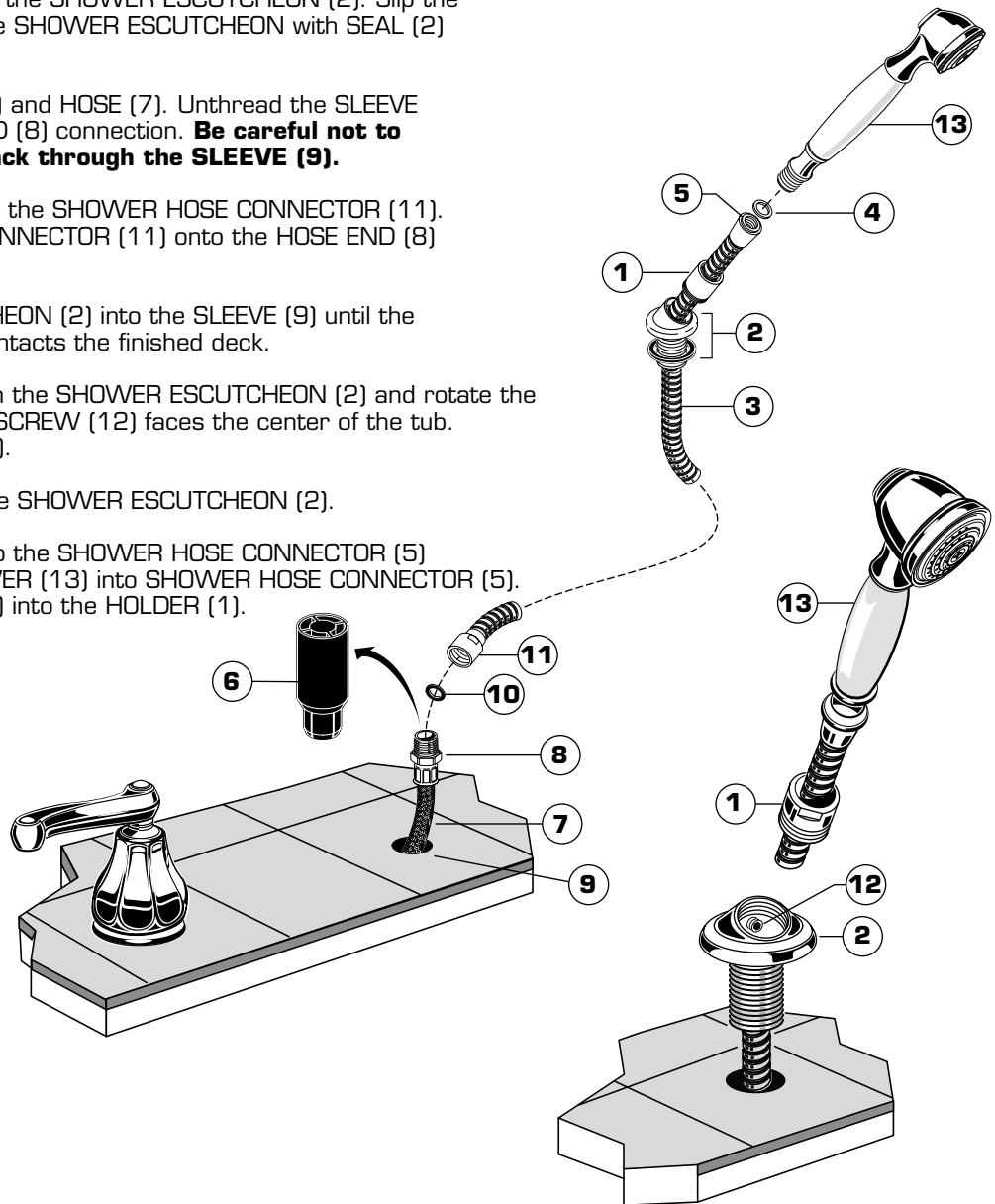
- Turn VALVE STEM (2) fully clockwise (Tub fill position).
- Push ADAPTER (1) on VALVE STEM (2), so that the hole of the ADAPTER (1) without a spline is facing up. See figure "A". Tighten STEM SCREW (3) to secure ADAPTER (1).
- Find correct position of LEVER HANDLE ASSEMBLY (4) by adjusting male teeth on ADAPTER (1) to female teeth in HANDLE (4).
- Thread LEVER HANDLE ASSEMBLY (4) onto DECK ADAPTER (5) until snug against mounting surface.



3

INSTALL HAND SHOWER

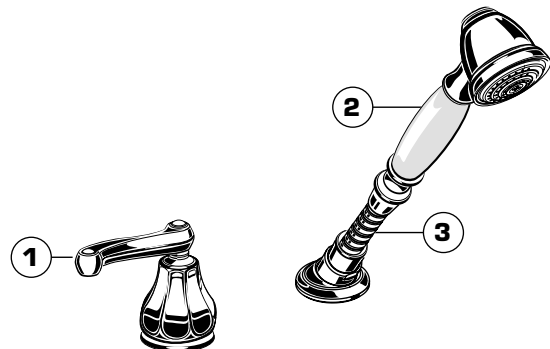
- Unscrew the HOLDER (1) from the SHOWER ESCUTCHEON (2). Slip the SHOWER HOSE (3) through the SHOWER ESCUTCHEON with SEAL (2) and the HOLDER (1).
- Pull out the SLEEVE GUARD (6) and HOSE (7). Unthread the SLEEVE GUARD (6) from the HOSE END (8) connection. **Be careful not to allow the HOSE (7) to fall back through the SLEEVE (9).**
- Insert SEAL WASHER (10) into the SHOWER HOSE CONNECTOR (11). Thread the SHOWER HOSE CONNECTOR (11) onto the HOSE END (8) and tighten securely.
- Thread the SHOWER ESCUTCHEON (2) into the SLEEVE (9) until the SHOWER ESCUTCHEON (2) contacts the finished deck.
- Loosen the SET SCREW (12) in the SHOWER ESCUTCHEON (2) and rotate the ESCUTCHEON (2) so that SET SCREW (12) faces the center of the tub. Retighten the SET SCREW (12).
- Thread the HOLDER (1) into the SHOWER ESCUTCHEON (2).
- Insert a SEAL WASHER (4) into the SHOWER HOSE CONNECTOR (5) and hand tighten HAND SHOWER (13) into SHOWER HOSE CONNECTOR (5). Place the HAND SHOWER (13) into the HOLDER (1).



4

TEST INSTALLED DIVERTER

- Turn DIVERTER VALVE (1) fully clockwise (Tub fill position).
- Turn on control valves and check all connections for leaks. With DIVERTER VALVE (1) in clockwise position, flow should only come from tub spout.
- Lift HANDSHOWER (2) from holder, direct spray into tub, turn DIVERTER VALVE (1) fully counter-clockwise to check HANDSHOWER (2) and HOSES (3) for leaks. With DIVERTER VALVE (1) in counter-clockwise position, flow should only come from HANDSHOWER (2).
- Turn control valves "off."



5

CARE INSTRUCTIONS:

DO: SIMPLY RINSE THE PRODUCT CLEAN WITH CLEAR WATER. DRY WITH A SOFT COTTON FLANNEL CLOTH.

DO NOT: CLEAN THE PRODUCT WITH SOAPS, ACID, POLISH, ABRASIVES, HARSH CLEANERS, OR A CLOTH WITH A COARSE SURFACE.

American Standard

DAZZLE

DAZZLE DIVERTER & PERSONAL SHOWER TRIM KITS

MODEL NUMBER

T028.990



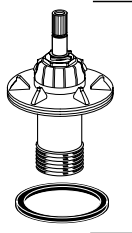
M962376-YYY0A
HANDLE KIT



918049-0070A
STEM ADAPTER



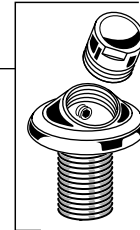
918555-0070A
HANDLE SCREW



M962380-0070A
HANDLE ADAPTER KIT

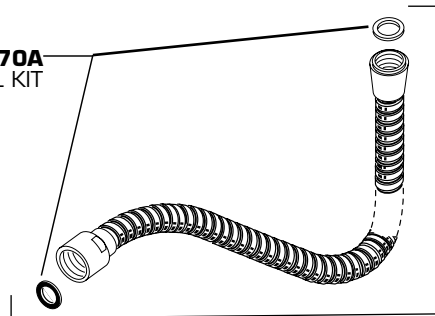


M950090-YYY0A
HAND SHOWER



M961464-YYY0A
HAND SHOWER HOLDER

033760-0070A
HAND SHOWER SEAL KIT



028667-0020A
HAND SHOWER HOSE

Replace the "YYY" with appropriate finish code

CHROME	002
SATIN	295



HOT LINE FOR HELP

For toll-free information and answers to your questions, call:
1 (800) 442-1902
Weekdays 8:00 a.m. to 8:00 p.m. EST

IN CANADA 1-800-387-0369 (TORONTO 1-905-306-1093)
Weekdays 8:00 a.m. to 7:00 p.m. EST

Product names listed herein are trademarks of American Standard Inc.
© American Standard Inc. 2004

M968499