

American Standard

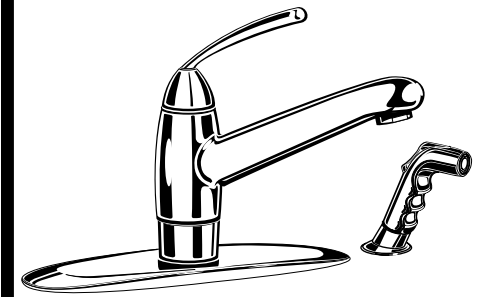
Installation Instructions 4137.001

Culinaire™

SINGLE CONTROL KITCHEN FAUCET WITH CAST SPOUT

Thank you for selecting American Standard...the benchmark of fine quality for over 100 years.

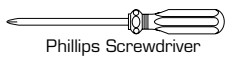
To ensure that your installation proceeds smoothly—please read these instructions carefully before you begin.



Certified to comply with ANSI A112.18.1M

M968238

TOOLS REQUIRED



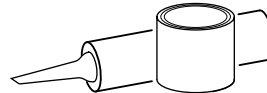
Phillips Screwdriver



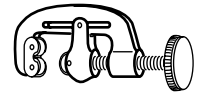
Channel Locks



Adjustable Wrench



Plumbers' Putty or Caulking



Tubing Cutter

CARE INSTRUCTIONS:

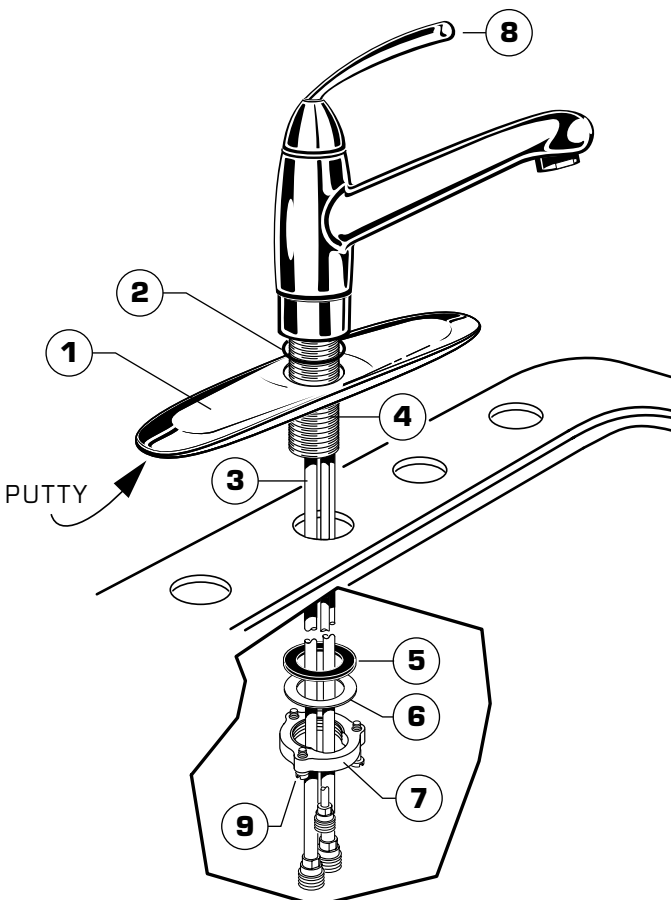
DO: SIMPLY RINSE THE PRODUCT CLEAN WITH CLEAR WATER. DRY WITH A SOFT COTTON FLANNEL CLOTH.

DO NOT: CLEAN THE PRODUCT WITH SOAPS, ACID, POLISH, ABRASIVES, HARSH CLEANERS, OR A CLOTH WITH A COARSE SURFACE AS THESE PRODUCTS MAY DAMAGE THE FINISH.

1 INSTALL FITTING WITH OR WITHOUT DECK ESCUTCHEON

CAUTION Turn off hot and cold water supplies before beginning.

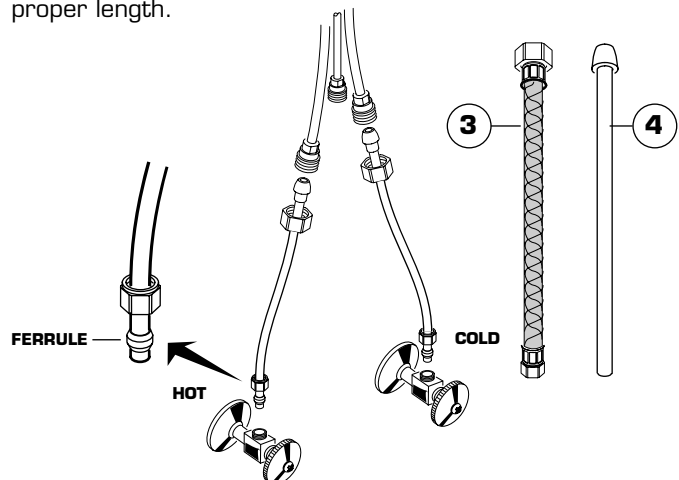
- Apply a bead of putty to bottom edge of ESCUTCHEON (1). **Note:** Installation of ESCUTCHEON (1) is optional.
- Make certain the large O-RING (2) is properly seated in recess of faucet body.
- Insert supply TUBES (3) and SHANK (4) through center hole of ESCUTCHEON (1) (if used) and sink.
- Assemble RUBBER WASHER (5), BRASS WASHER (6), and threaded LOCKNUT (7) onto SHANK (4) from underside of sink. Hand tighten LOCKNUT (7) and check that rotation of HANDLE (8) from HOT to COLD is centered. Use a screwdriver to tighten the SCREWS (9) on LOCKNUT (7). Work your way around LOCKNUT (7), tightening the screws slightly each time until all are snug to ensure even pressure.



2 MAKE WATER SUPPLY CONNECTIONS

NOTE: FLEXIBLE SUPPLIES HAVE TO BE PURCHASED SEPARATELY

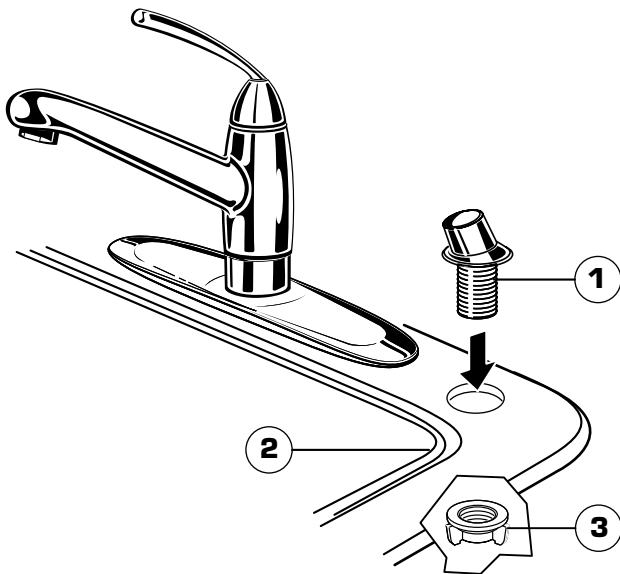
- Carefully bend COPPER SUPPLIES to meet water supply lines using the palms of the hands to avoid kinking.
- Connect HOT water supply line to left tube, and COLD water supply line to right tube using appropriate connectors.
- Use 1/2" IPS FLEXIBLE SUPPLIES (3) or 3/8" O.D. BULL-NOSE RISERS (4). Use adjustable wrench to tighten connections. Do not over tighten. Be careful not to kink copper supply when bending. Use tubing cutter to cut to proper length.



3 INSTALL SPRAY HOLDER

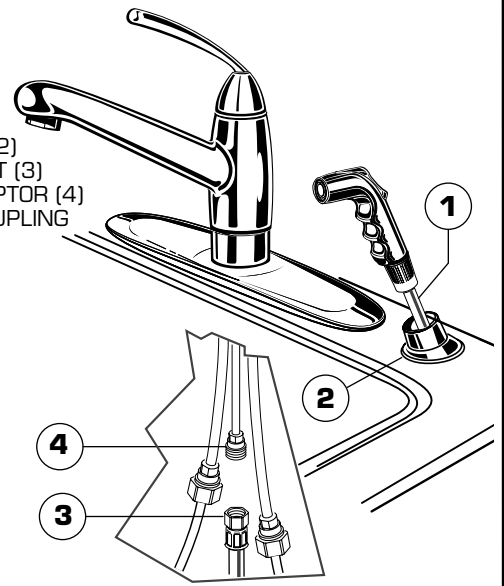
Note: For installation less hand spray see step 4a.

- Place SPRAY HOLDER (1) into separate hole of SINK (2).
- Assemble the SPRAY HOLDER WING NUT (3) onto the shank of SPRAY HOLDER (1) from below and tighten. **Do not use putty.**



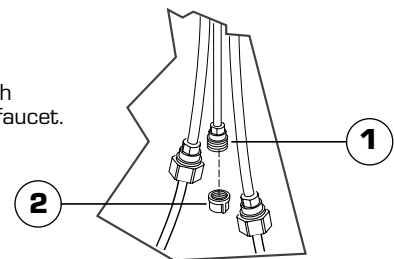
4 CONNECT HOSE SPRAY

- Feed SPRAY HOSE (1) through SPRAY HOLDER (2) and attach COUPLING NUT (3) of HOSE (1) to HOSE ADAPTOR (4) on valve body. Tighten COUPLING NUT (3) firmly.



4a CAP HOSE ADAPTER

- Cap HOSE ADAPTER (1) with PIPE CAP (2) supplied with faucet.



5 TEST INSTALLED FAUCET

- Move HANDLE down into "off" position and remove AERATOR.
- Turn on water supplies and check connections for leaks.
- Operate HANDLE up and down, left and right to flush water lines thoroughly.
- For faucet with spray, direct SPRAY HEAD into sink and activate SPRAY. Check hose connections for leaks.
- Move HANDLE down to "off" position and replace AERATOR.



6 SERVICE

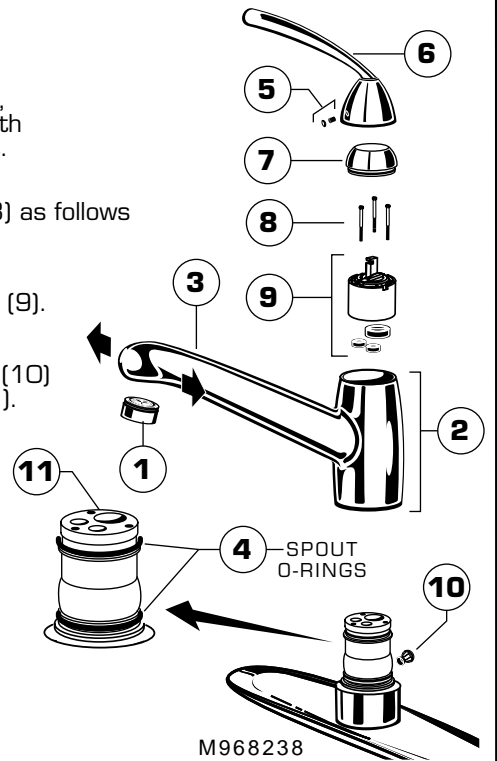
Reduced flow. If the flow should gradually be reduced over a number of months, the AERATOR may have debris in it. To clean, remove AERATOR (1) and rinse with water to remove any debris. Turn on faucet to wash any debris out of the faucet. Screw AERATOR (1) back to the spout. Operate faucet.

- **Spout leakage.** If fitting leaks above or below SPOUT HUB (2) remove SPOUT (3) as follows and check SPOUT O-RINGS (4).

- Remove BUTTON (5) and loosen SET SCREW (5) and pull HANDLE (6) off.
- Pull off CAP (7) and loosen CARTRIDGE SCREWS (8) and remove CARTRIDGE (9).
- Remove SPOUT (3) by pulling up gently while moving SPOUT (3) side to side.
- Check both SPOUT O-RINGS (4). Replace if necessary.
- On models with SPRAYS, DIVERTER (10) can be cleaned by pulling DIVERTER (10) out of the MANIFOLD (11) and then clean DIVERTER (10) and MANIFOLD (11). Push DIVERTER (10) back into MANIFOLD (11).
- Reverse procedure to reinstall SPOUT (3), CARTRIDGE (9) and HANDLE (6).

- **Clogged CARTRIDGE outlets or inlets may cause reduced flow.** To clean, first turn off water supply then:

- Loosen HANDLE SCREW (5) and remove HANDLE (6).
- Remove ESCUTCHEON CAP (7), unscrew the three CARTRIDGE SCREWS (8).
- Clean inlets of CARTRIDGE (9) and MANIFOLD (11).
- Reassemble CARTRIDGE (9), alternately tightening SCREWS (8). Replace CAP (7) and HANDLE (6) check flow.

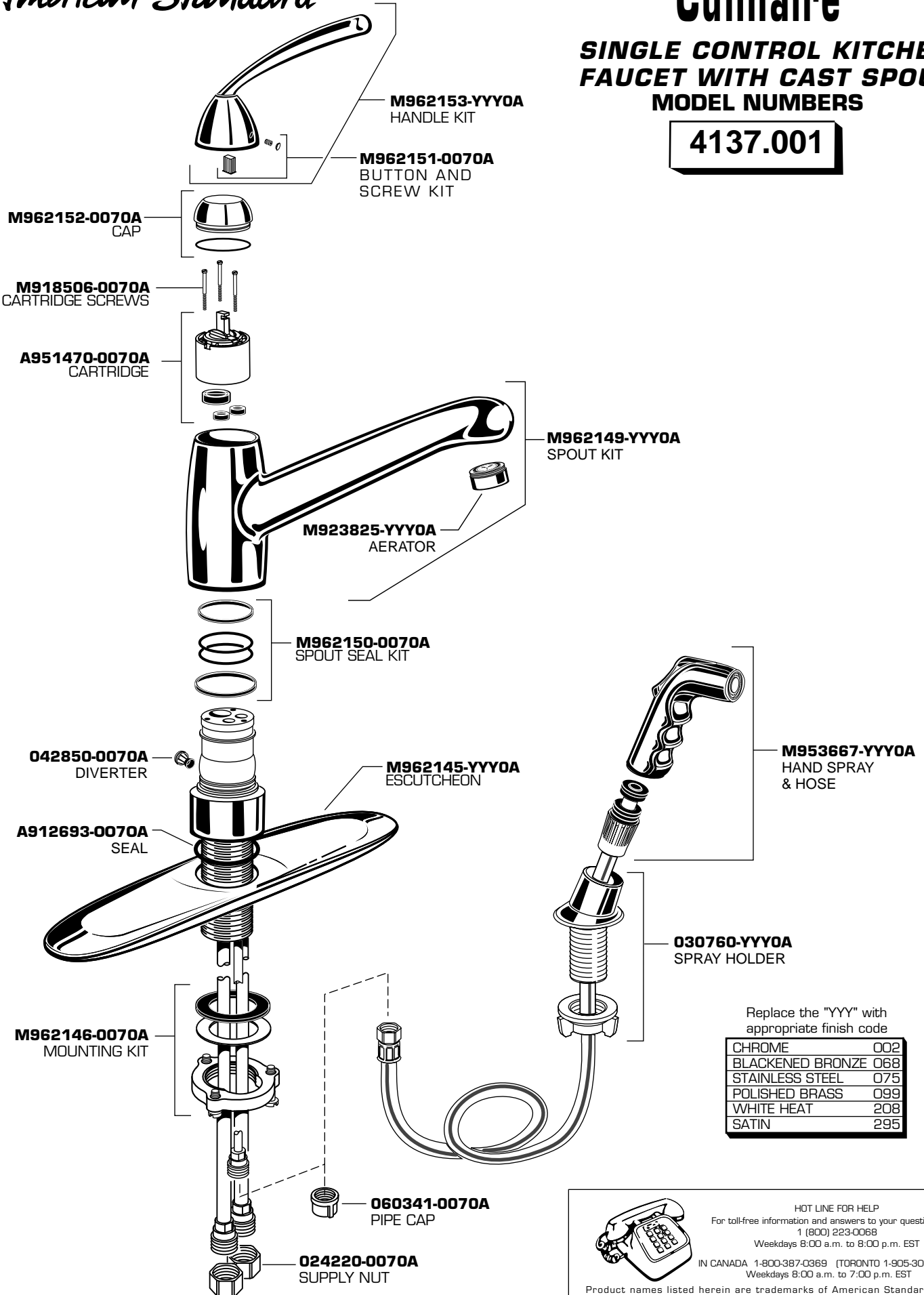


American Standard

Culinaire™

**SINGLE CONTROL KITCHEN
FAUCET WITH CAST SPOUT
MODEL NUMBERS**

4137.001



Replace the "YYY" with appropriate finish code

| | |
|------------------|-----|
| CHROME | 002 |
| BLACKENED BRONZE | 068 |
| STAINLESS STEEL | 075 |
| POLISHED BRASS | 099 |
| WHITE HEAT | 208 |
| SATIN | 295 |



HOT LINE FOR HELP

For toll-free information and answers to your questions, call:

1 (800) 223-0068

Weekdays 8:00 a.m. to 8:00 p.m. EST

IN CANADA 1-800-387-0369 (TORONTO 1-905-306-1093)

Weekdays 8:00 a.m. to 7:00 p.m. EST

Product names listed herein are trademarks of American Standard Inc.
© American Standard Inc. 2002

M968238