

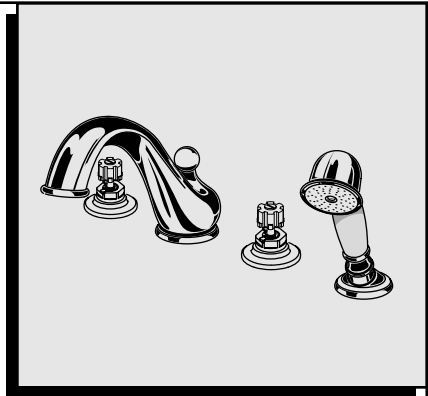
American Standard

Installation Instructions

AMARILIS

DECK-MOUNT BATH FILLERS

3900 SERIES
3901 SERIES
3940 SERIES
3941 SERIES

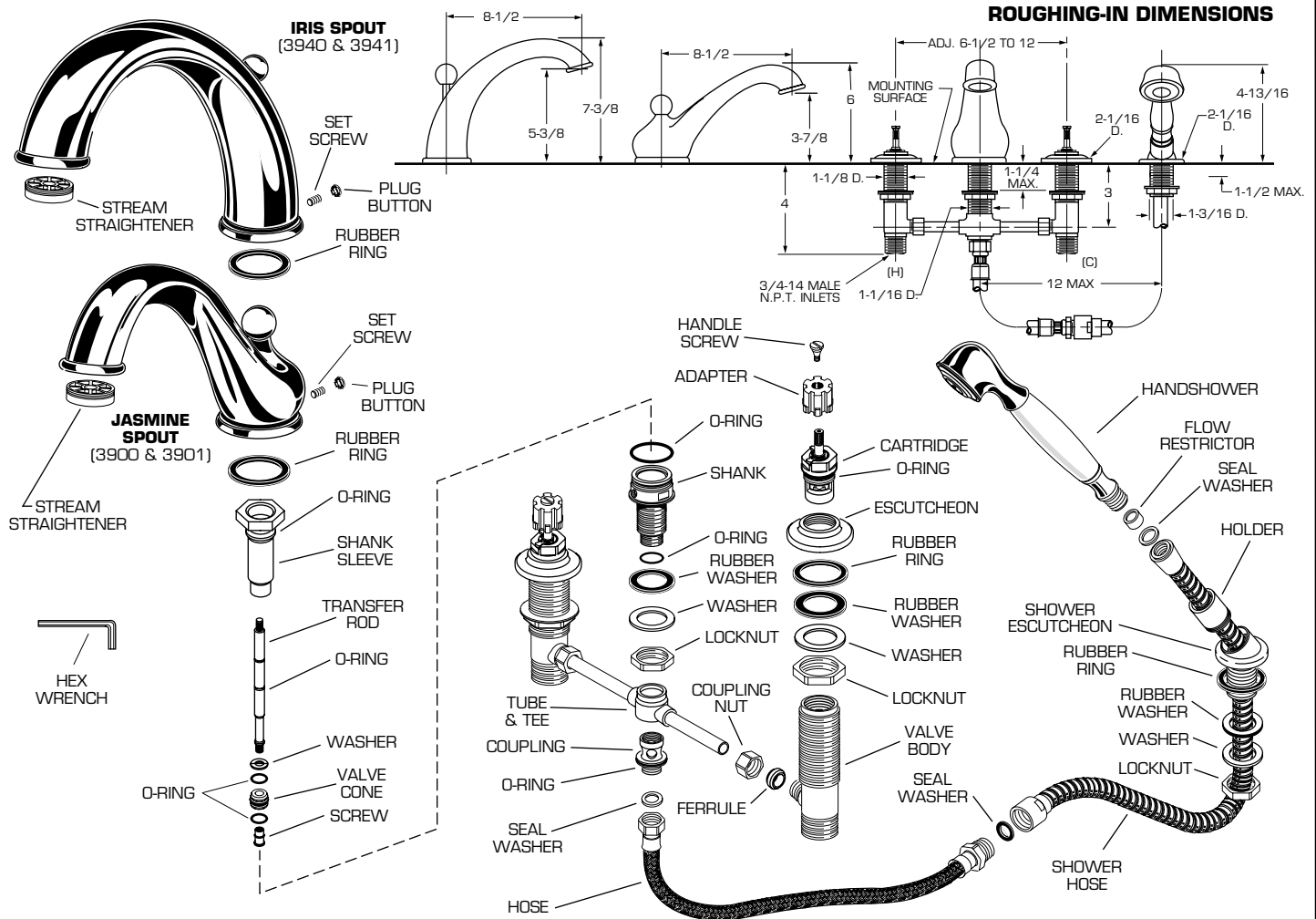


Thank you for selecting American-Standard...the benchmark of fine quality for over 100 years.

To ensure that your installation proceeds smoothly—please read these instructions carefully before you begin.

Certified to comply with ANSI A112.18.1M.
 U.S. Patent No. 5,819,789

43168A

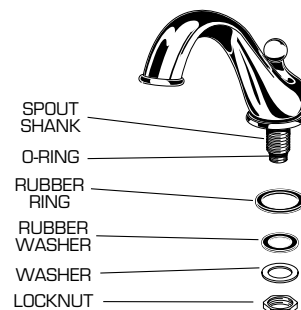


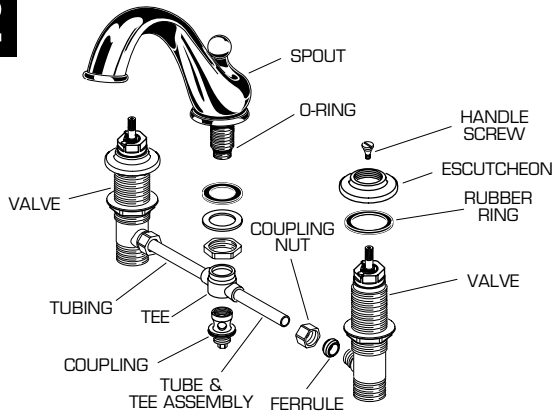
1

CAUTION Turn off hot and cold water supplies before beginning.

SPOUT AND VALVE INSTALLATION

- Insert SPOUT SHANK through center hole of bath tub LEDGE. Make sure that the RUBBER RING is properly seated in recess at base of SPOUT.
- Attach RUBBER WASHER and BRASS WASHER to SHANK from underside of ledge and secure SPOUT position with LOCKNUT.



2

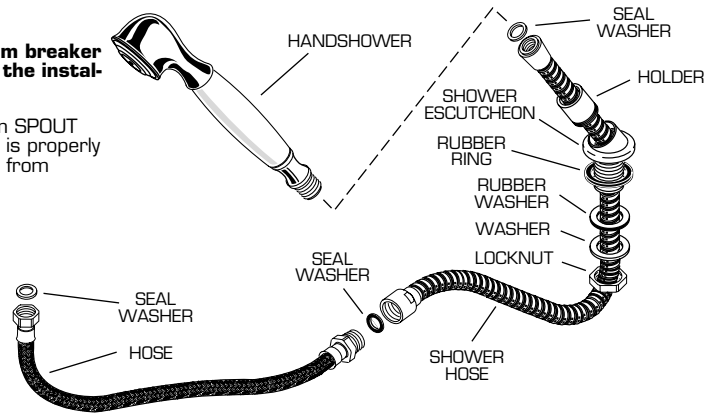
- Prepare TUBE and TEE ASSEMBLY to fit existing VALVE location (between 6-1/2" and 12"). If necessary, cut and/or bend TUBING carefully. Make sure tube bend is close to the TEE so that it will not effect the compression joint at the VALVE.
- Remove COUPLING NUT and FERRULE from each VALVE and slide onto TUBING.
- Push TUBING ends into VALVE side outlets. Insert VALVES into mounting holes from underside of ledge.
- Press TEE onto SPOUT SHANK making certain that the O-RING is properly seated on SHANK.
- Place RUBBER RING into ESCUTCHEON and screw ESCUTCHEON onto valve until snug against internal stop.
- Tighten LOCKNUT to secure VALVE position. Attach COUPLING to TEE and tighten.
- Slide FERRULE and COUPLING NUT to outlet of VALVE and tighten COUPLING NUT firmly.
- Connect HOT water supply to inlet of left VALVE and COLD water supply to inlet of right VALVE using appropriate connector.

3**HANDSHOWER INSTALLATION (Model 3901 & 3941 series only)**

IMPORTANT Check with local codes, and if required, add a vacuum breaker kit (part no. 028708) at specified height. Refer to the installation instructions supplied with the kit.

- Drop ESCUTCHEON through the fourth hole of the tub ledge (1/2" max from SPOUT center) with HOLDER directed towards tub center. Be sure RUBBER RING is properly seated in ESCUTCHEON. Attach RUBBER WASHER and BRASS WASHER from underside of ledge. Secure ESCUTCHEON by tightening locknut.
- Add SEAL WASHER and connect HOSE to outlet nipple on bottom of COUPLING. Tighten firmly.
- Unscrew HOLDER from ESCUTCHEON. Slip SHOWER HOSE with COUPLING NUT through HOLDER and ESCUTCHEON. Install SEALS and connect both HOSES, attach HOLDER to ESCUTCHEON and connect HANDSHOWER.

NOTE When not in use, HANDSHOWER should be seated in the HOLDER.

**4****TEST INSTALLED FAUCET**

- Turn VALVES "off" and attach handles. See separate "Instruction Sheet" for assembly of handles.
- With handles in "off" position, turn on water supplies and check all connections for leaks.
- Operate both handles and flush water lines thoroughly.
- Check SPOUT mounting for leaks.

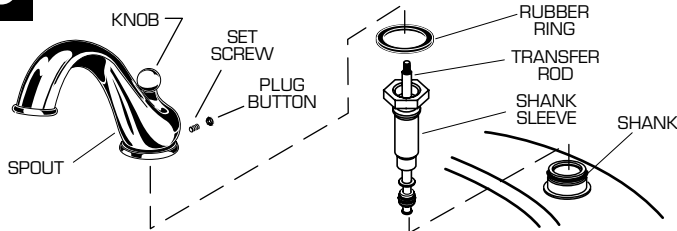
CAUTION

The flow rate of this Tub Filler exceeds 20 gallons/minute at higher water pressure. Do not fill bathtub unattended.

- Lift HANDSHOWER from HOLDER, direct spray into tub, lift TRANSFER KNOB to check HANDSHOWER and HOSES for leaks.
- Turn handles "off."

5

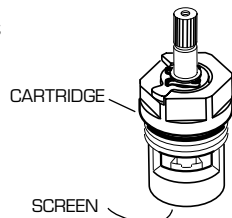
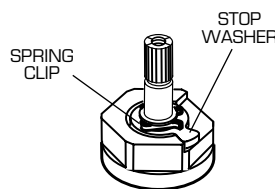
Before the bathroom is completely finished, you may want to remove spout, handshower, and handles.



- To remove handles, see separate "Instruction Sheet."
- To remove SPOUT, proceed as follows:
 - Lift TRANSFER ROD and unscrew KNOB. (Model 3901 & 3941 only).
 - Remove PLUG BUTTON and remove SET SCREW using hex wrench supplied.
 - Lift SPOUT off SHANK carefully and remove RUBBER RING.
 - Unscrew SHANK SLEEVE and lift TRANSFER ROD from SHANK (Model 3901 & 3941 only).
 - Reverse sequence to re-install SPOUT. Be sure RUBBER RING is properly seated in its recess at the base of the SPOUT. Make certain SET SCREW is properly aligned and tight so that SPOUT is locked in place.

6**SERVICE**

- To change direction of handle rotation, proceed as follows:
 - Turn valve to OFF position.
 - Remove INSERT and HANDLE SCREW.
 - Slip HANDLE with ADAPTER off.
 - Remove SPRING CLIP.
 - Lift STOP WASHER, turn 90° and replace.
 - Replace SPRING CLIP.
 - Replace ADAPTER, HANDLE, SCREW, and INSERT.
- Plastic SCREEN in CARTRIDGE may accumulate dirt causing reduced water flow. To clean, first turn off hot and cold water supplies, then:
 - Remove HANDLE (see above).
 - Unscrew CARTRIDGE with wrench.
 - Thoroughly rinse plastic SCREEN at base of CARTRIDGE.
 - Replace CARTRIDGE until flange is tight against valve body.
 - Turn valves OFF.
 - Replace ADAPTER, HANDLE, SCREW, and INSERT.



- To replace SHOWER HOSE, proceed as follows:
 - Disconnect HANDSHOWER.
 - Unscrew HOLDER and pull SHOWER HOSE until hose coupling appears.
 - Prevent HOSE from slipping back (use clamp, tape, etc.)
 - Disconnect SHOWER HOSE.
 - Remove HOLDER from old HOSE and slip over new SHOWER HOSE.
 - Insert new SEALS and connect HOSES and HANDSHOWER.
 - Open valves, lift transfer knob and check for leaks.
 - Release HOSE, screw HOLDER back to ESCUTCHEON, and seat HANDSHOWER.



HOTLINE FOR HELP
For toll-free information and answers to your questions, call:
1 (800) 223-0068
Weekdays 8:00 a.m. to 7:00 p.m. Eastern Time
Saturdays 8:00 a.m. to 4:00 p.m. Eastern Time

IN CANADA 1-800-387-0369 (TORONTO 1-416-536-5609)

Product names listed herein are trademarks of American Standard Inc.
©American Standard Inc. 1999

43168A