

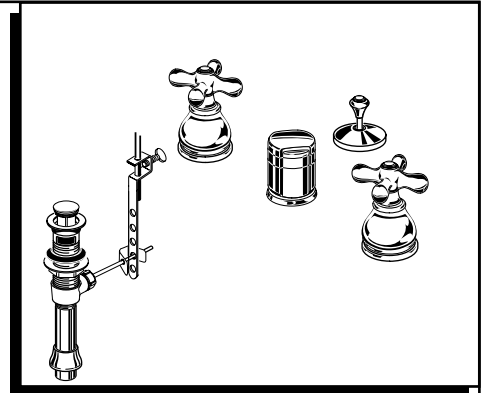
American Standard

HAMPTON

BIDET FITTING

Installation Instructions

7390.703
7390.713
7390.723
7390.733



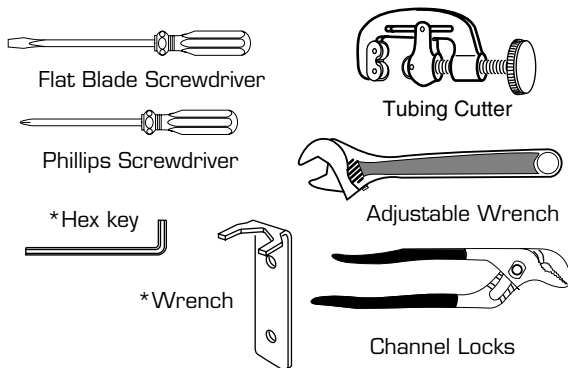
U.S. Patent No. 5,819,789

M968781A

Thank you for selecting American-Standard...the benchmark of fine quality for over 100 years.

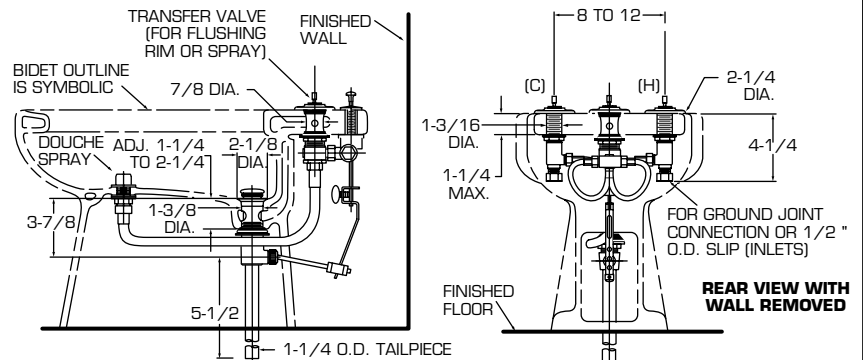
To ensure that your installation proceeds smoothly—please read these instructions carefully before you begin.

Required Tools



*Supplied with Fitting

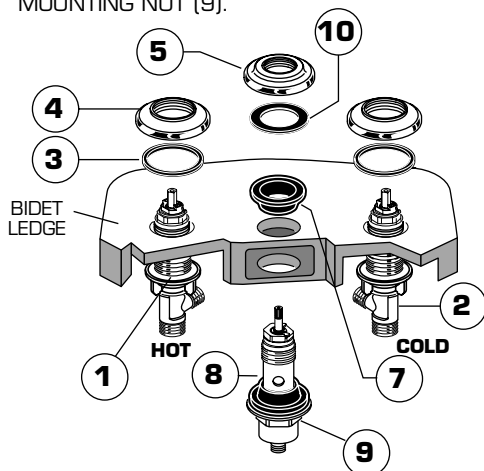
Roughing-in Dimensions



1 BIDET FAUCET INSTALLATION

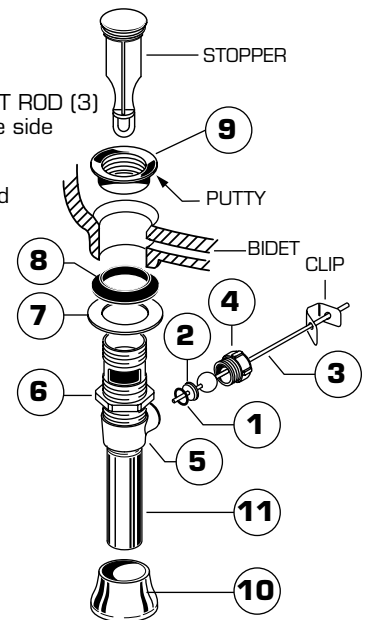
CAUTION Turn off hot and cold water supplies before beginning.

- Place MOUNTING NUTS (1) onto the VALVE BODIES (2) and insert VALVE BODIES (2) through outside holes, from underside of the BIDET LEDGE. Drop the RUBBER RING (3) over the VALVE BODIES (2) and screw on the ESCUTCHEON (4) until it locks against the internal stop.
- Tighten the MOUNTING NUT (1) to secure the VALVE BODY (2).
- Remove ESCUTCHEON (5), WASHER (10) and UPPER GASKET (7) from TRANSFER VALVE (8) and insert into the center forward hole of BIDET.
- Replace UPPER GASKET (7), and ESCUTCHEON (5) until it locks against the internal stop. Position the side threaded outlet rearward and secure MOUNTING NUT (9).



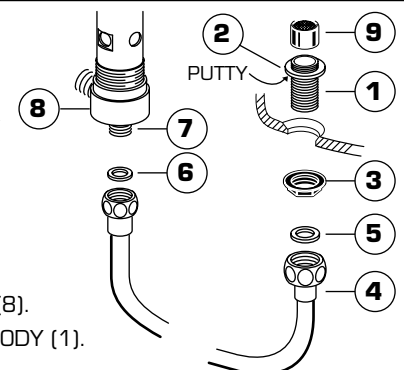
2 DRAIN INSTALLATION

- Assemble O-RING (1), WASHER (2), PIVOT ROD (3) and NUT (4) to DRAIN BODY (5). Concave side of cup WASHER (2) is toward ball.
- Assemble LOCKNUT (6), WASHER (7) and GASKET (8) onto DRAIN BODY (5).
- Apply a bead of PUTTY to underside of FLANGE (9).
- Feed DRAIN BODY (5) up through BIDET and thread FLANGE (9) fully onto BODY (5).
- Tighten LOCKNUT (6) firmly, keeping the PIVOT ROD (3) pointed towards the back of the BIDET.
- Push DRAIN ESCUTCHEON (10) onto TAILPIECE (11).



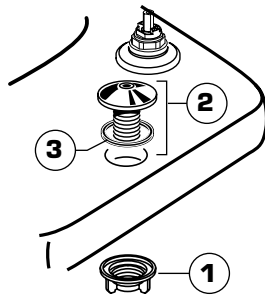
3 SPRAY INSTALLATION

- Assemble SPRAY BODY (1) to BIDET. Using putty, seal underside of SPRAY BODY FLANGE (2) and secure with NUT (3).
- Screw SPRAY HOSE (4) with SEAL WASHER (5) to SPRAY BODY (1). Connect other end of HOSE (4) with SEAL WASHER (6) to bottom outlet NIPPLE (7) of the TRANSFER VALVE (8).
- Screw SPRAY CAP (9) onto SPRAY BODY (1).



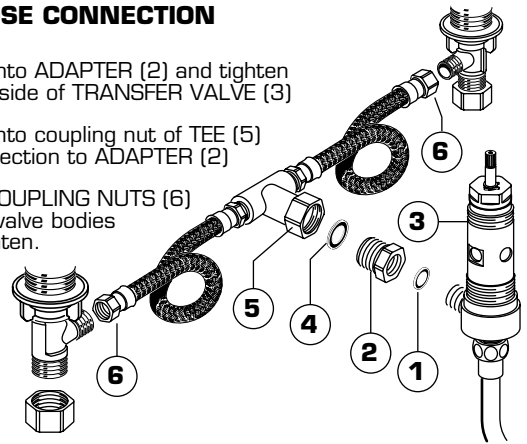
4 LIFT ROD GUIDE INSTALLATION

- Unscrew LIFT ROD NUT (1) from LIFT ROD GUIDE (2).
- Make sure SEAL (3) is seated into ESCUTCHEON of LIFT ROD GUIDE (2).
- Drop LIFT ROD GUIDE (2) into rear hole of bidet and from below secure with ROD GUIDE NUT (1).



5 TEE AND HOSE CONNECTION

- Insert SEAL (1) into ADAPTER (2) and tighten ADAPTER (2) to side of TRANSFER VALVE (3)
- Install SEAL (4) into coupling nut of TEE (5) and tighten connection to ADAPTER (2)
- Connect HOSE COUPLING NUTS (6) to Hot and Cold valve bodies and securely tighten.



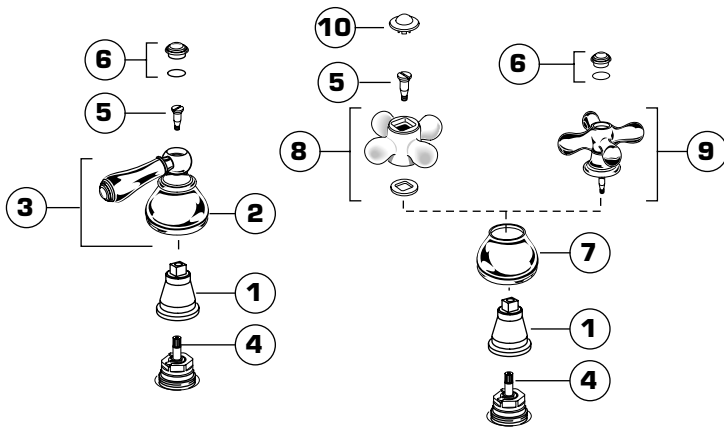
6 HANDLE INSTALLATION

LEVER HANDLE

- Turn VALVE to OFF position.
- Push ADAPTER (1) into HANDLE BASE (2) in a way that the male square on the ADAPTER (1) fits in the female square of the HANDLE BASE (2).
- Push HANDLE (3) and ADAPTER (1) onto VALVE STEM (4).
- Check alignment, if not satisfactory aligned;
 - Push out ADAPTER (1) carefully.
 - Turn ADAPTER (1) either 45° or 90° so that male square on ADAPTER (1) catches different female square in HANDLE BASE (2).
 - Assemble and tighten LEVER HANDLE SCREW (5).
- Push INDEX CAP (6) in top of HANDLE (3).

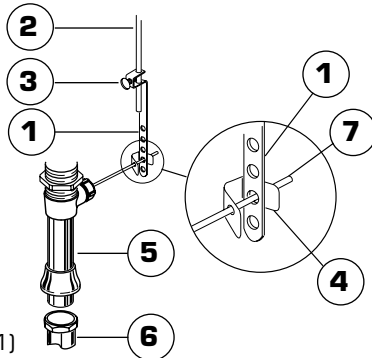
CROSS HANDLE

- Turn VALVE to OFF position.
- Push ADAPTER (1) into HANDLE BASE (7).
- Push HANDLE BASE (7) and ADAPTER (1) onto VALVE STEM (4).
- Push CROSS (8, 9) onto ADAPTER (1).
- Assemble and tighten HANDLE SCREW (5).
- Push INDEX CAP (10, 6) in top of HANDLE (8, 9).



8 FINISH DRAIN INSTALLATION

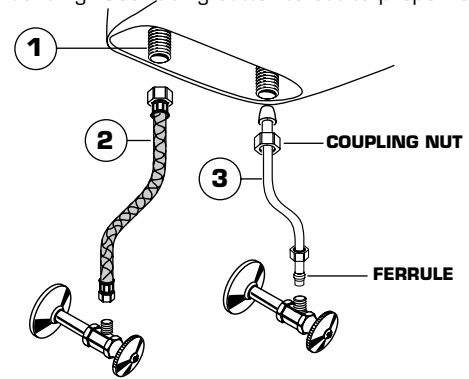
- Position BIDET fixture and secure to floor.
- Insert lift rod into lift rod guide.
- Position EXTENSION ROD (1) onto POP-UP ROD (2) and tighten THUMBSCREW (3).
- Remove one end of CLIP (4) from PIVOT ROD (7) by squeezing ends together while sliding.
- Insert PIVOT ROD (7) into second or third hole in EXTENSION ROD (1) and reassemble CLIP (4). (EXTENSION ROD (1) may need to be bent.)
- Adjust STOPPER height by repositioning EXTENSION ROD (1) and tightening THUMBSCREW (3).
- Using metal TAILPIECE (5), make connection to the TRAP (6).



7 WATER SUPPLY CONNECTIONS

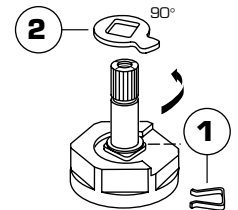
NOTE: FLEXIBLE SUPPLIES OR BULL NOSE RISERS ARE NOT INCLUDED AND HAVE TO BE PURCHASED SEPARATELY.

- Connect water supplies to FAUCET (1) with 1/2" IPS FLEXIBLE SUPPLIES (2) or 3/8" O.D. BULL-NOSE RISERS (3). Use adjustable wrench to tighten connections.
- Do not over tighten. Be careful not to kink copper supply when bending. Use tubing cutter to cut to proper length.



9 SERVICE

- To change direction of handle rotation, proceed as follows:
 - Turn valve to OFF position.
 - Remove INDEX CAP and HANDLE SCREW.
 - Slip HANDLE and ADAPTER off.
 - Remove SPRING CLIP (1).
 - Lift STOP WASHER (2), turn 90° and replace.
 - Replace SPRING CLIP (1).
 - Replace ADAPTER, HANDLE, SCREW, and INDEX CAP.
- Spray may accumulate dirt causing distorted and reduced water flow. Remove spray and rinse clean.
- Replace Spray and operate handles several times from OFF to ON position. Do not force, handles turn only 90°.



10 TEST INSTALLED FAUCET

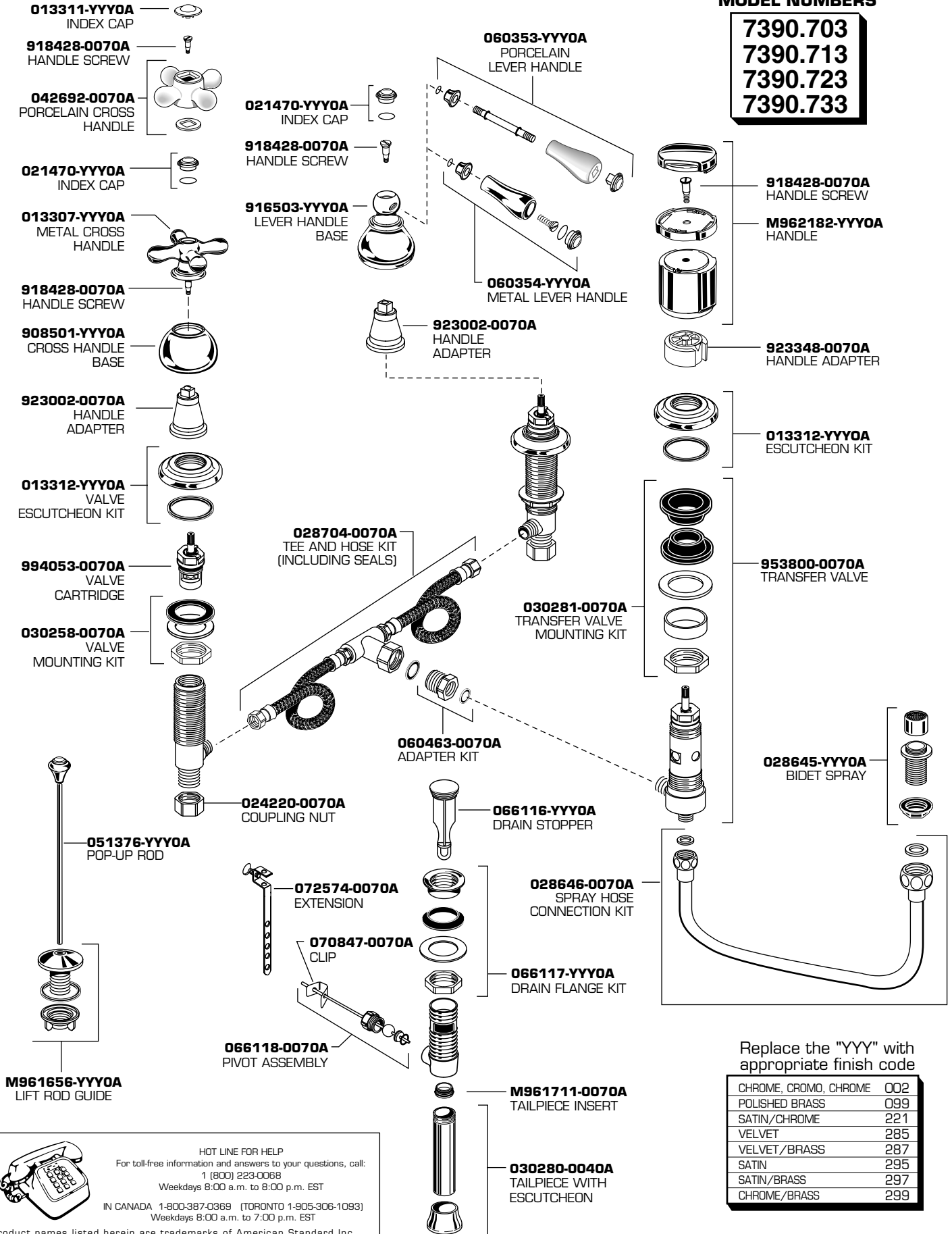
- With handles in OFF position, turn on water supplies and check all connections for leaks.
- Operate both handles to flush water lines thoroughly. Turn diverter to rim wash and bidet spray.

CARE INSTRUCTIONS:

DO: SIMPLY RINSE THE PRODUCT CLEAN WITH CLEAR WATER. DRY WITH A SOFT COTTON FLANNEL CLOTH.
DO NOT: CLEAN THE PRODUCT WITH SOAPS, ACID, POLISH, ABRASIVES, HARSH CLEANERS, OR A CLOTH WITH A COARSE SURFACE.

M968781A

7390.703
7390.713
7390.723
7390.733



Replace the "YYY" with appropriate finish code

CHROME, CROMO, CHROME	002
POLISHED BRASS	099
SATIN/CHROME	221
VELVET	285
VELVET/BRASS	287
SATIN	295
SATIN/BRASS	297
CHROME/BRASS	299



HOT LINE FOR HELP
For toll-free information and answers to your questions, call:
1 (800) 223-0068
Weekdays 8:00 a.m. to 8:00 p.m. EST
IN CANADA 1-800-387-0369 (TORONTO 1-905-306-1093)
Weekdays 8:00 a.m. to 7:00 p.m. EST

American Standard

HAMPTON

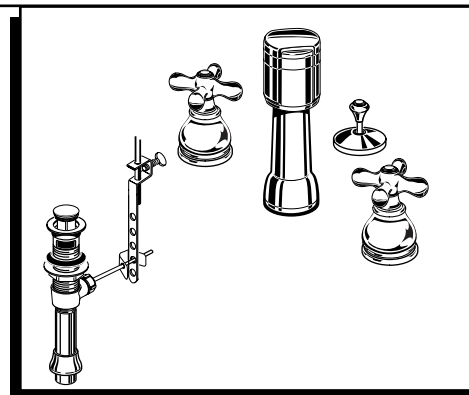
BIDET FITTING

Installation Instructions

7391.703
7391.713
7391.723
7391.733

Thank you for selecting American Standard...the benchmark of fine quality for over 100 years.

To ensure that your installation proceeds smoothly—please read these instructions carefully before you begin.



Certified to comply with ASME A112.18.1M
U.S. Patent No. 5,819,789

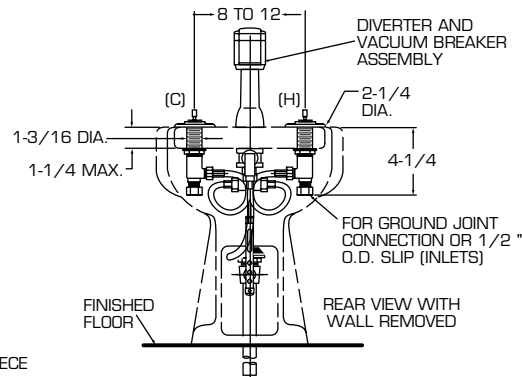
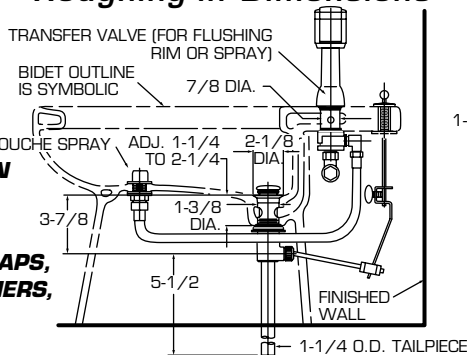
M968767D

Roughing-in Dimensions

CARE INSTRUCTIONS:

DO: SIMPLY RINSE THE PRODUCT CLEAN WITH CLEAR WATER. DRY WITH A SOFT COTTON FLANNEL CLOTH.

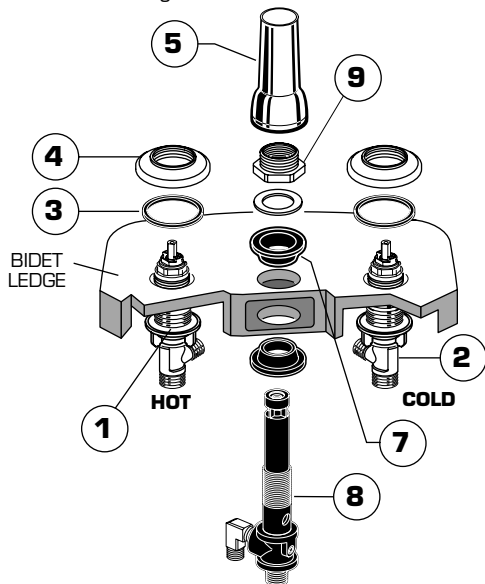
DO NOT: CLEAN THE PRODUCT WITH SOAPS, ACID, POLISH, ABRASIVES, HARSH CLEANERS, OR A CLOTH WITH A COARSE SURFACE.



1 BIDET FAUCET INSTALLATION

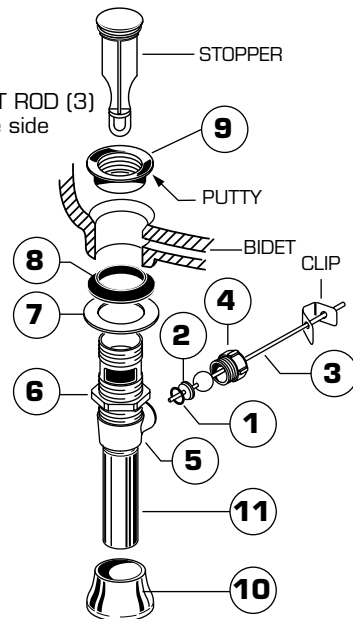
CAUTION Turn off hot and cold water supplies before beginning.

- Place MOUNTING NUTS (1) onto the VALVE BODIES (2) and insert VALVE BODIES (2) through outside holes, from underside of the BIDET LEDGE. Drop the RUBBER RING (3) over the VALVE BODIES (2) and screw on the ESCUTCHEON (4) until it locks against the internal stop.
- Tighten the MOUNTING NUT (1) to secure the VALVE BODY (2).
- Remove MOUNTING NUT (9) and UPPER GASKET (7) from TRANSFER VALVE (8) and insert into the center forward hole of BIDET.
- Replace UPPER GASKET (7). Position the side threaded outlet rearward and secure MOUNTING NUT (9). Thread ESCUTCHEON (5) onto TRANSFER VALVE (8) until it seats against the BIDET LEDGE.



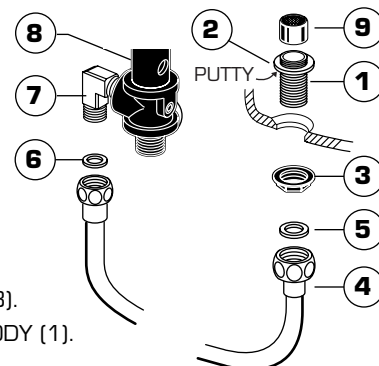
2 DRAIN INSTALLATION

- Assemble O-RING (1), WASHER (2), PIVOT ROD (3) and NUT (4) to DRAIN BODY (5). Concave side of cup WASHER (2) is toward ball.
- Thread LOCKNUT (6), WASHER (7) and GASKET (8) onto DRAIN BODY (5).
- Apply a bead of PUTTY to underside of FLANGE (9).
- Feed DRAIN BODY (5) up through BIDET and thread FLANGE (9) fully onto BODY (5).
- Tighten LOCKNUT (6) firmly, keeping the PIVOT ROD (3) pointed towards the back of the BIDET.
- Push DRAIN ESCUTCHEON (10) onto TAILPIECE (11).



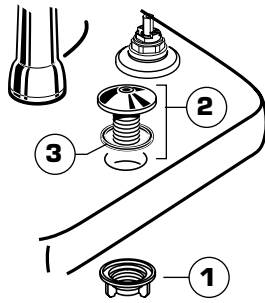
3 SPRAY INSTALLATION

- Assemble SPRAY BODY (1) to BIDET. Using putty, seal underside of SPRAY BODY FLANGE (2) and secure with NUT (3).
- Screw SPRAY HOSE (4) with SEAL WASHER (5) to SPRAY BODY (1). Connect other end of HOSE (4) with SEAL WASHER (6) to side outlet NIPPLE (7) of the TRANSFER VALVE (8).
- Screw SPRAY CAP (9) onto SPRAY BODY (1).



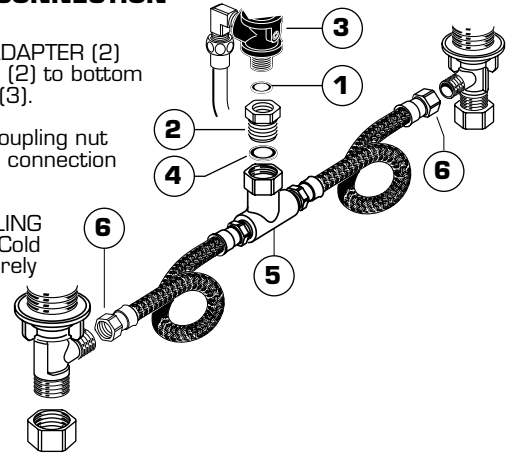
4 LIFT ROD GUIDE INSTALLATION

- Unscrew LIFT ROD NUT (1) from LIFT ROD GUIDE (2).
- Make sure SEAL (3) is seated into ESCUTCHEON of LIFT ROD GUIDE (2).
- Drop LIFT ROD GUIDE (2) into rear hole of bidet and from below secure with ROD GUIDE NUT (1).



5 TEE AND HOSE CONNECTION

- Insert SEAL (1) into ADAPTER (2) and tighten ADAPTER (2) to bottom of TRANSFER VALVE (3).
- Install SEAL (4) into coupling nut of TEE (5) and tighten connection to ADAPTER (2).
- Connect HOSE COUPLING NUTS (6) to Hot and Cold valve bodies and securely tighten.



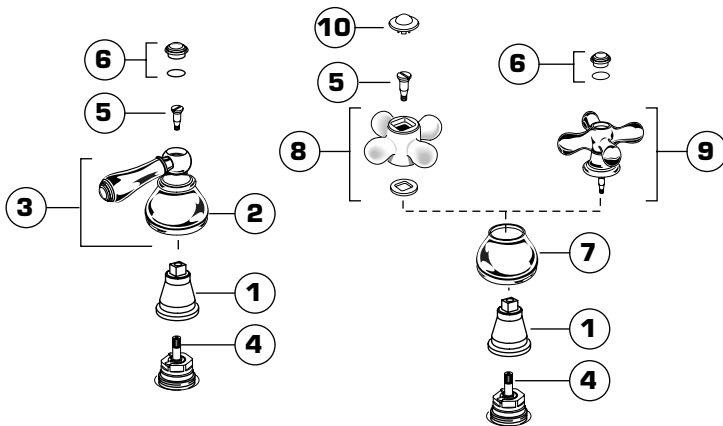
6 HANDLE INSTALLATION

LEVER HANDLE

- Turn VALVE into OFF position.
- Push ADAPTER (1) into HANDLE BASE (2) in a way that the male square on the ADAPTER (1) fits in the female square of the HANDLE BASE (2).
- Push HANDLE (3) and ADAPTER (1) onto VALVE STEM (4).
- Check alignment, if not satisfactory aligned;
 - Push out ADAPTER (1) carefully.
 - Turn ADAPTER (1) either 45° or 90° so that male square on ADAPTER (1) catches different female square in HANDLE BASE (2).
 - Assemble and tighten LEVER HANDLE SCREW (5).
- Push INDEX CAP (6) in top of HANDLE (3).

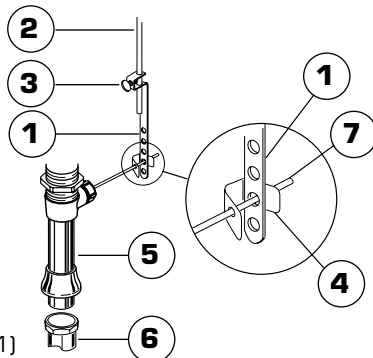
CROSS HANDLE

- Turn VALVE into OFF position.
- Push ADAPTER (1) into HANDLE BASE (7).
- Push HANDLE BASE (7) and ADAPTER (1) onto VALVE STEM (4).
- Push CROSS (8, 9) onto ADAPTER (1).
- Assemble and tighten HANDLE SCREW (5).
- Push INDEX CAP (10, 6) in top of HANDLE (8, 9).



8 FINISH DRAIN INSTALLATION

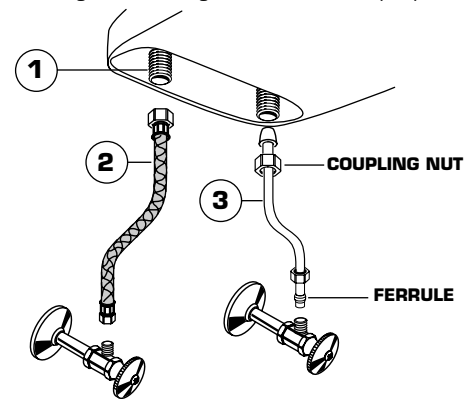
- Position BIDET fixture and secure to floor.
- Insert lift rod into lift rod guide.
- Position EXTENSION ROD (1) onto POP-UP ROD (2) and tighten THUMBSCREW (3).
- Remove one end of CLIP (4) from PIVOT ROD (7) by squeezing ends together while sliding.
- Insert PIVOT ROD (7) into second or third hole in EXTENSION ROD (1) and reassemble CLIP (4). (EXTENSION ROD (1) may need to be bent.)
- Adjust STOPPER height by repositioning EXTENSION ROD (1) and tightening THUMBSCREW (3).
- Using metal TAILPIECE (5), make connection to the TRAP (6).



7 WATER SUPPLY CONNECTIONS

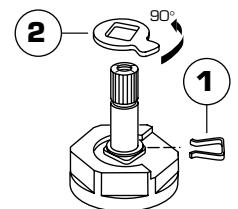
NOTE: FLEXIBLE SUPPLIES ARE NOT INCLUDED AND HAVE TO BE PURCHASED SEPARATELY.

- Connect water supplies to FAUCET (1) with 1/2" IPS FLEXIBLE SUPPLIES (2) or 3/8" O.D. BULL-NOSE RISERS (3). Use adjustable wrench to tighten connections.
- Do not over tighten. Be careful not to kink copper supply when bending. Use tubing cutter to cut to proper length.



9 SERVICE

- To change direction of handle rotation, proceed as follows:
 - Turn valve to OFF position.
 - Remove INSERT and HANDLE SCREW.
 - Slip HANDLE with ADAPTER off.
 - Remove SPRING CLIP (1).
 - Lift STOP WASHER (2), turn 90° and replace.
 - Replace SPRING CLIP (1).
 - Replace ADAPTER, HANDLE, SCREW, and INSERT.
- Spray may accumulate dirt causing distorted and reduced water flow. Remove spray and rinse clean.
- Replace Spray and operate handles several times from OFF to ON position. Do not force, handles turn only 90°.



10 TEST INSTALLED FAUCET

- With handles in OFF position, turn on water supplies and check all connections for leaks.
- Operate both handles to flush water lines thoroughly. Turn diverter to rim wash and bidet spray.

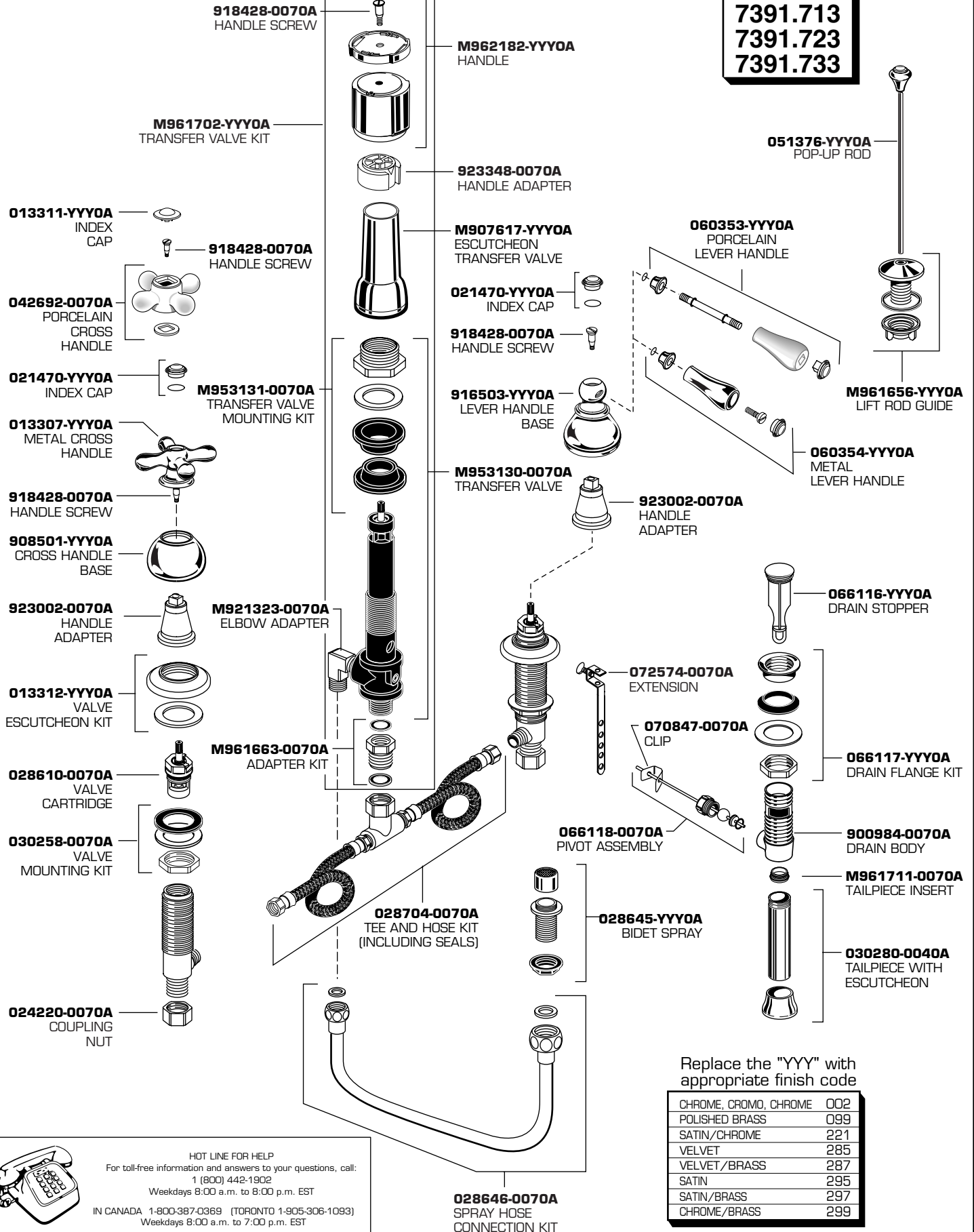
M968767D

HAMPTON

BIDET FITTING

MODEL NUMBERS

7391.703
7391.713
7391.723
7391.733



Replace the "YYY" with appropriate finish code

CHROME, CROMO, CHROME	002
POLISHED BRASS	099
SATIN/CHROME	221
VELVET	285
VELVET/BRASS	287
SATIN	295
SATIN/BRASS	297
CHROME/BRASS	299



HOT LINE FOR HELP
 For toll-free information and answers to your questions, call:
 1 (800) 442-1902
 Weekdays 8:00 a.m. to 8:00 p.m. EST
 IN CANADA 1-800-387-0369 (TORONTO 1-905-306-1093)
 Weekdays 8:00 a.m. to 7:00 p.m. EST

Product names listed herein are trademarks of American Standard Inc.
 © American Standard Inc. 2002

M96876D