

 **BARRIER FREE**

**LYNBROOK URINAL**

- Vitreous china
- Low consumption (3.8 Lpf/1.0 gpf)
- Flushing rim
- Blowout flush action
- Privacy shields
- 1-1/4" inlet spud
- Outlet connection threaded 2" inside (NPTF)
- 2 wall hangers
- Fixture only
- Meets ANSI flush requirements at 0.7 to 1.0 GPF

**6601.012** Top spud (Illustrated)

**6605.027** Back spud

Nominal Dimensions:

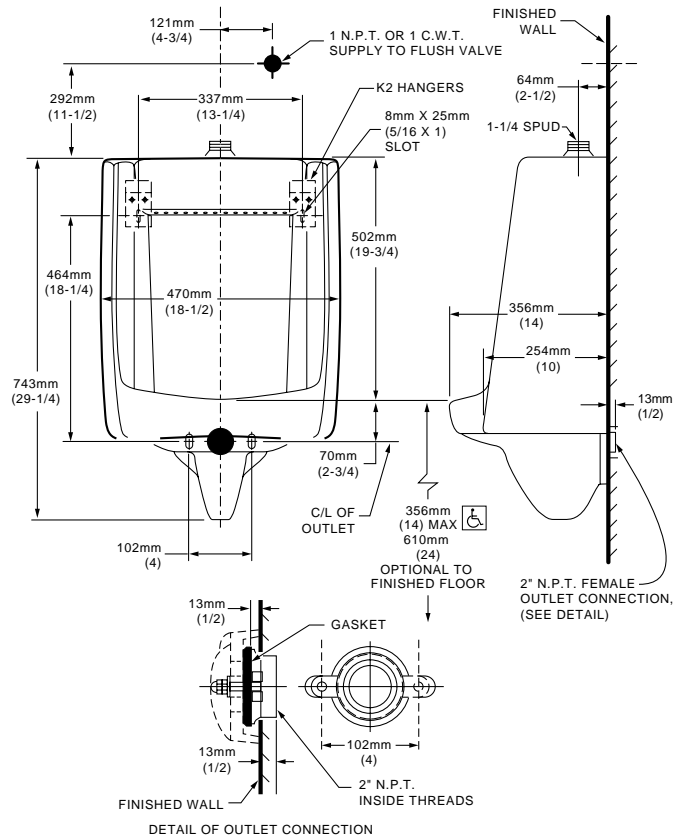
470 x 356 x 743mm  
(18-1/2" x 14" x 29-1/4")

Recommended working pressure - between 20 psi at valve when flushing and 80 psi static.

**Compliance Certifications -**

**Meets or Exceeds the Following Specifications:**

- ASME A112.19.2M (and 19.6M) for Vitreous China Fixtures - includes Flush Performance, Ball Pass Diameter, Trap Seal Depth and all Dimensions



To Be Specified


- Color:  White  Bone  Silver  Shell
- Black
- Flush Valve:
  - Sloan Royal 180-1 (top spud)
  - Sloan Royal 190-1 (back spud)
- Alternative Flush Valve:

**NOTES:**

FLUSH VALVE NOT INCLUDED WITH FIXTURE AND MUST BE ORDERED SEPARATELY. PROVIDE SUITABLE REINFORCEMENT FOR ALL WALL SUPPORTS.

IMPORTANT: Dimensions of fixtures are nominal and may vary within the range of tolerances established by ANSI Standard A112.19.2.

These measurements are subject to change or cancellation. No responsibility is assumed for use of superseded or voided pages.

 ● When installed so top of rim is 356mm (14") from finished floor. **MEETS THE AMERICAN DISABILITIES ACT GUIDELINES AND ANSI A117.1 ACCESSIBLE AND USEABLE BUILDINGS AND FACILITIES - CHECK LOCAL CODES.**