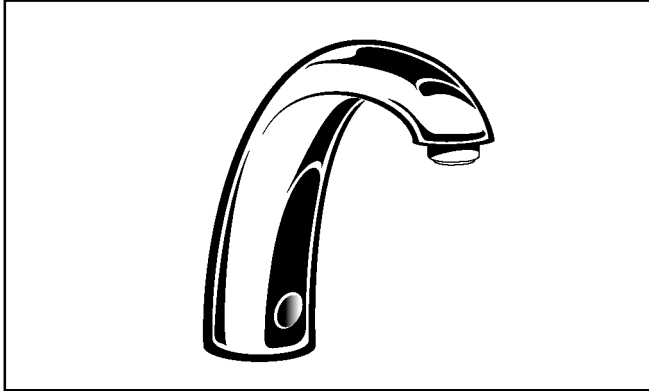


American Standard



GENERAL DESCRIPTION:

Electronic faucet with proximity operation. Vandal resistant solid brass construction single post mounting. Operates on DC (battery) or AC permanent power. Water pressure range from 20 to 125 psi. In-line strainer for solenoid is integral. Single inlet 3/8" compression, built-in checks, and flexible stainless steel 20" reach inlet hose for spout connection.

PRODUCT FEATURES:

Vandal-Resistant Brass Body: Durable - Excellent in high use applications.

Power Options

- **Battery** - Approx. 4 years with Lithium Battery CR-P2
- **Plug-In - Integral** low voltage transformer (115 VAC supply) with 5 foot power supply.

Easy and flexible installation:

Single post mounting with optional 4" and 8" Deck plate. Water resistant solenoid enclosure mounts to wall.

Integrated; easy service Strainer:

Patented integrated strainer enclosed in removable debris cup protects the solenoid valve and aerator from debris. Perforated stainless steel strainer is low maintenance and can be easily accessed.

Temperature Mixing:

Optional thermostatic mixing valve meets ASSE 1016 performance and anti-scald requirements at 0.5 GPM. Mixing valve will connect directly to solenoid inlet and is housed in matching enclosure.

End Device:

- Choice of 2.2 GPM 8.3 L/min Vandal resistant aerator or
- 0.5 GPM 1.9 L/min Vandal resistant aerator.
- 1.5 GPM 5.7L/min Vandal resistant aerator optional.

CODES AND STANDARDS:

These products meet or exceed the following coded standards:

- ANSI A117.1
- ASME A112.18.1
- CSA B 125



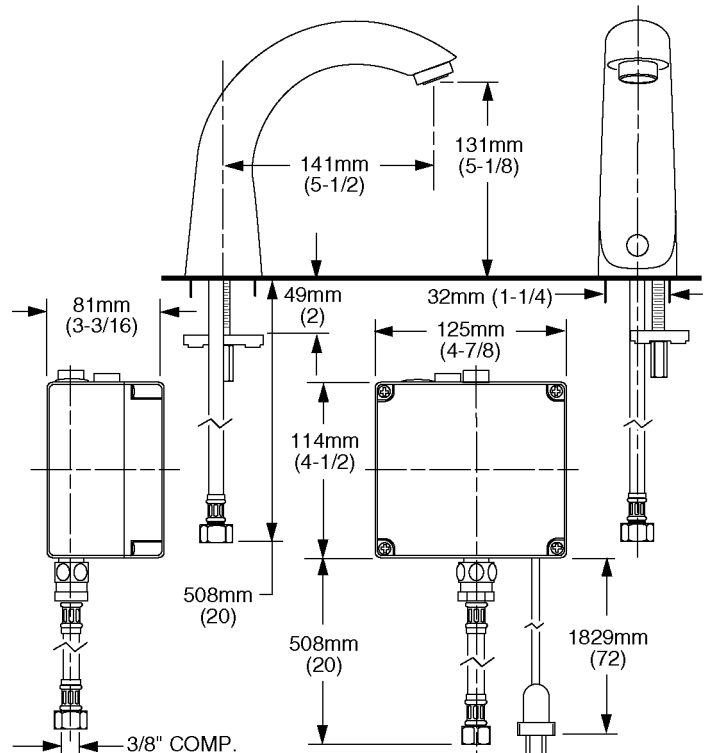
ADA Compliant

COMMERCIAL

SELECTRONIC™ ELECTRONIC PROXIMITY LAVATORY FAUCET

MODEL NUMBER:

- **DC POWERED; single inlet**
 - 6055.105 with cast spout, 0.5 GPM vandal resistant aerator.
 - 6055.102 with cast spout, 2.2 GPM vandal resistant aerator.
- **AC POWERED; single inlet**
 - 6056.105 with cast spout, 0.5 GPM vandal resistant aerator.
 - 6056.102 with cast spout, 2.2 GPM vandal resistant aerator.
- **MULTI AC POWERED; single inlet**
 - 6057.105 single inlet operates up to 15 units in series from one AC power supply., 0.5 GPM vandal resistant aerator.
 - 6057.102 single inlet operates up to 15 units in series from one AC power supply., 2.2 GPM vandal resistant aerator.
- **OPTIONAL 4" or 8" Deck plates**
 - 605P.400 4" brass deck plate with 1/4" fixation studs and quick spin nuts. (6-1/8" x 2-1/8" x 1/2")
 - 605P.800 8" brass deck plate with 1/4" fixation studs and quick spin nuts. (10-1/8" x 2-3/8" x 1/2")
- **OPTIONAL Mixing Valve**
 - 605XTMV Thermostatic mixing valve, flex hoses 3/8" compression 20" hose length.



RECOMMENDED SPECIFICATION

Electronic Proximity Lavatory shall feature vandal resistant all brass body with single inlet, built-in check valve, and in-line strainer. Shall also feature a low energy use electronically operated solenoid valve and microprocessor controlled proximity sensors. Shall meet ANSI A112.18.1M and ANSI 117.1 codes. Fitting shall be American Standard Model # 6055.____, 6056____, 6057____.