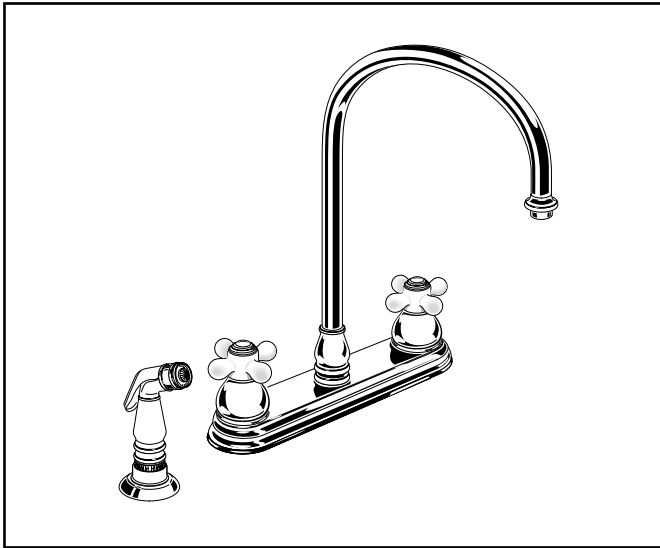


American Standard

HAMPTON

TWO-HANDLE TOP-MOUNT KITCHEN FAUCET WITH BRASS GOOSENECK SPOUT



4771.702 Shown.

MODEL NUMBER:

- 4771.702 Top-Mount Kitchen Faucet**

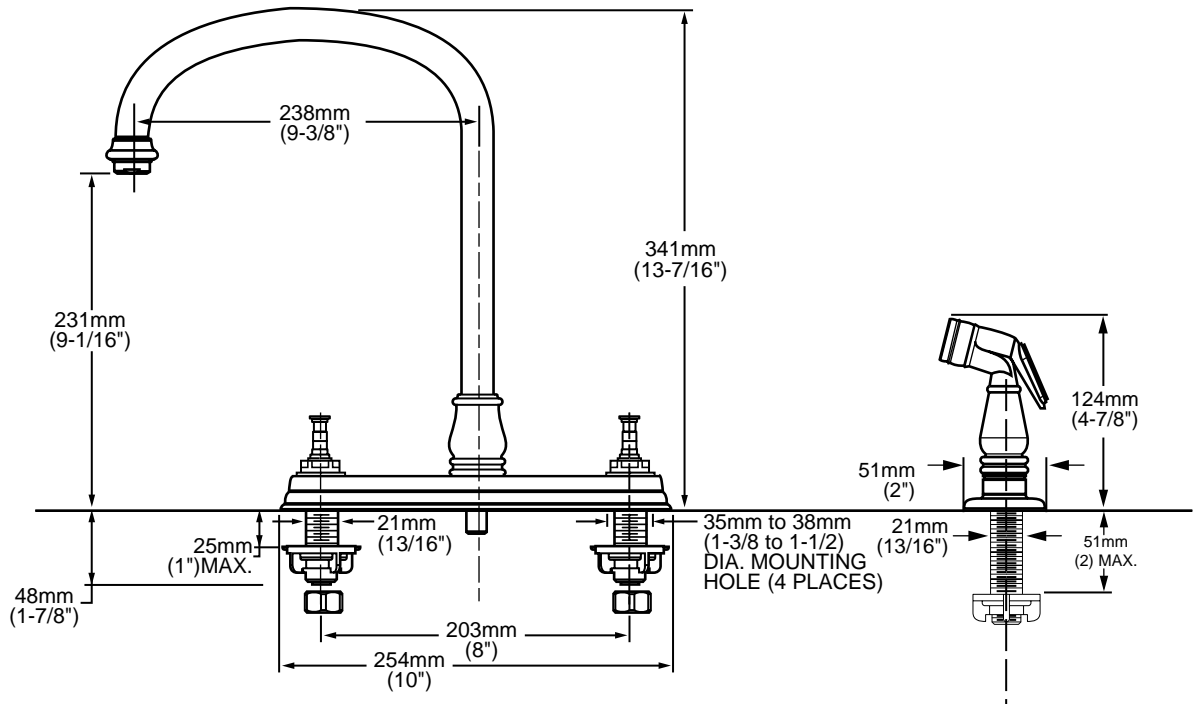
 Handspray. Porcelain cross handles.
- 4771.712 Top-Mount Kitchen Faucet**

 Handspray. Porcelain lever handles.
- 4771.722 Top-Mount Kitchen Faucet**

 Handspray. Metal cross handles.
- 4771.732 Top-Mount Kitchen Faucet**

 Handspray. Metal lever handles.

All models available Less Spray. See reverse.



GENERAL DESCRIPTION:

Durable brass construction. 1/4 turn washerless ceramic disc valve cartridges - reversible for use with either lever or cross handles. Brass 22mm (7/8") diameter swing spout. Metal escutcheon plate (escutcheon size 10"L x 2-3/8"W). One -half inch male inlet shanks with brass coupling nuts. 2.2 gpm/8.3 L/min. maximum flow rate.

PRODUCT FEATURES:

Brass Construction and Cast Brass Waterway: Durable - Excellent in high use applications. Ideal for prolonged contact with water.

Ceramic Disc Valve Cartridges: Assures a lifetime of drip-free performance.

Larger Spout: Increased spout height, reach and diameter.

Low Lead: Meets NSF Standard 61/Section 9 & Prop 65 lead requirements.

Choice of Finishes: Available in a wide range of durable finishes.

SUGGESTED SPECIFICATION:

Two handle top-mount kitchen faucet shall feature cast brass construction with all brass inlet shanks and coupling nuts. Brass swing spout. Shall also feature 1/4 turn washerless ceramic disc valve cartridges that are reversible for use with cross or lever handles. Fitting shall be American Standard Model # _____.



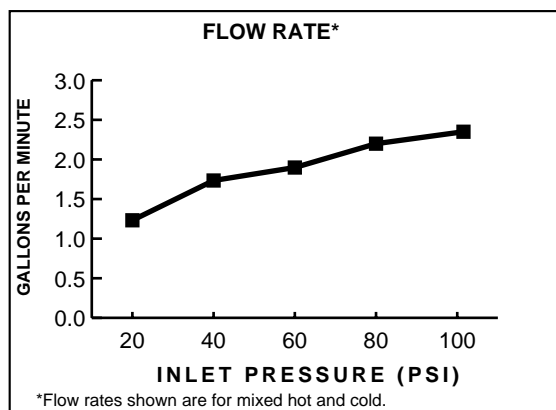
HAMPTON

TWO-HANDLE TOP-MOUNT KITCHEN FAUCET WITH BRASS GOOSENECK SPOUT

CODES AND STANDARDS

These products meet or exceed the following codes and standards:

- ASME A112.18.1M**
- CSA B 125**
- NSF 61/Section 9**



Product Number	Description	Finish Options								
		Polished Chrome	White	PVD Polished Brass	Satin(PVD) Chrome Mix.	Velvet	Velvet/Brass PVD	PVD Satin	PVD Satin/Brass	Chrome /PVD Brass Mix.
		002	020	099	221	285	287	295	297	299
4771.702	Kitchen faucet. Handspray. Porcelain cross handles.				N/A		N/A		N/A	N/A
4770.702	Kitchen faucet. Less handspray. Porcelain cross handles.				N/A		N/A		N/A	N/A
4771.712	Kitchen faucet. Handspray. Porcelain lever handles.				N/A		N/A		N/A	N/A
4770.712	Kitchen faucet. Less handspray. Porcelain lever handles.				N/A		N/A		N/A	N/A
4771.722	Kitchen faucet. Handspray. Metal cross handles.									
4770.722	Kitchen faucet. Less handspray. Metal cross handles.									
4771.732	Kitchen faucet. Handspray. Metal lever handles.									
4770.732	Kitchen faucet. Less handspray. Metal lever handles.									

N/A = NOT AVAILABLE

Meets the American Disabilities Act Guidelines and **ANSI A117.1** Requirements for the physically challenged.