

American Standard

AMARILIS

DECK-MOUNT TUB FILLER WITH IRIS SPOUT

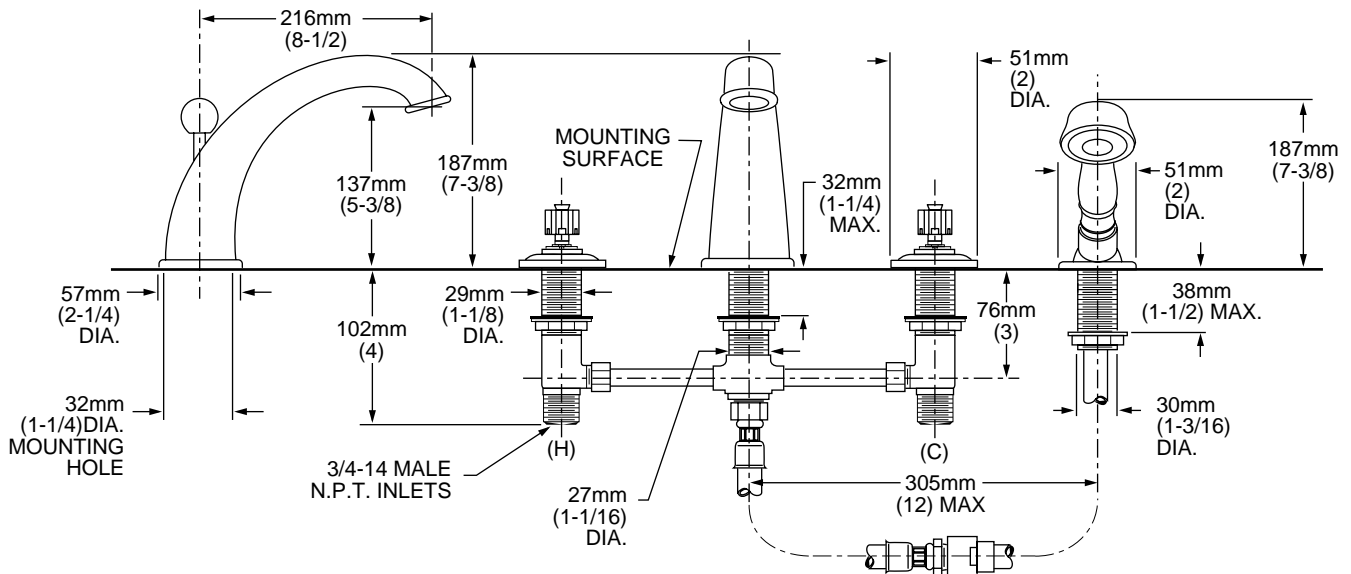


3941.000 Shown. Handles must be ordered separately.

MODEL NUMBER:

- ❑ 3941.000 Deck-Mount Tub Filler
Personal shower. Less handles.
- ❑ 3940.000 Deck-Mount Tub Filler
Less personal shower. Less handles.

Handles must be ordered separately.



GENERAL DESCRIPTION:

Durable cast brass spout with built-in diverter (on 3941.000). Rigid brass and copper waterway below deck provided for 12" installations (can be cut for 8" installations). Brass valve bodies with 3/4" NPT inlets with brass coupling nuts. Amarilis 1/4 turn washerless ceramic disc valve cartridges - reversible for use with either lever or round handles. Personal shower features a 6-1/2' long hose (1-1/2' heavy duty hose and 5' decorative hose.) 2.5 gpm/9.5L/min. maximum flow rate.

PRODUCT FEATURES:

Brass Construction: Durable. Ideal for prolonged contact with water. Provides the finest surface for application of all finishes.

Ceramic Disc Valve Cartridges: Assures a lifetime of drip-free performance.

Flex Set Packaging: Full range of interchangeable handle styles.

Choice of Finishes: Wide range of durable finishes.

SUGGESTED SPECIFICATION:

Two handle deck-mount tub filler shall feature cast brass construction with brass and copper waterway. Shall also feature 1/4 turn washerless ceramic disc valve cartridges that are reversible for use with round or lever handles. Fitting shall be American Standard Model # _____ and handle kit # 0000._____.

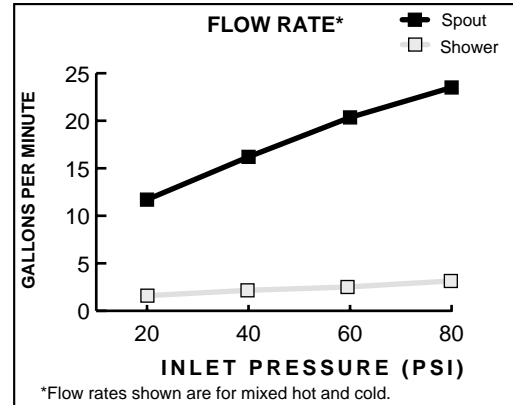
DECK-MOUNT TUB FILLER WITH IRIS SPOUT

CODES AND STANDARDS

These products meet or exceed the following codes and standards:

ASME A112.18.1M
CSA B125

Check local plumbing codes. Some installations may require a vacuum breaker.



Product Number	Description	Finish Options								
		Polished Chrome	Polished Nickel	PVD B Nickel /Brass Mix.	PVD Blackened Bronze	PVD Polished Brass	PVD Satin /P Chrome Mixage	PVD Satin	PVD Satin /Brass Mixage	PChrome /PVD Brass Mix.
		002	008	062	068	099	221	295	297	299
3941.000	Deck-Mount Tub Filler. Personal shower. Less handles.									
3940.000	Deck-Mount Tub Filler. Less personal shower. Less handles.									

Handles must be ordered separately.

To order **Less Handles** - Specify: 4 digit Style number followed by three zeros and 3 digit finish number.
Example 3941.000.002 = Deck-Mount Tub Filler with personal shower in Polished Chrome finish.

The above fittings will accept the following Amarilis-Series handles.*

452	442	462	432	552	542	572	372H 372V	352H 352V	342H 342V	102H 102V	112H	902 912	862	872	892

* See Section N for additional information on handle kits.

Meets the American Disabilities Act Guidelines and **ANSI A117.1** Requirements for the physically challenged.