

American Standard

JASMINE

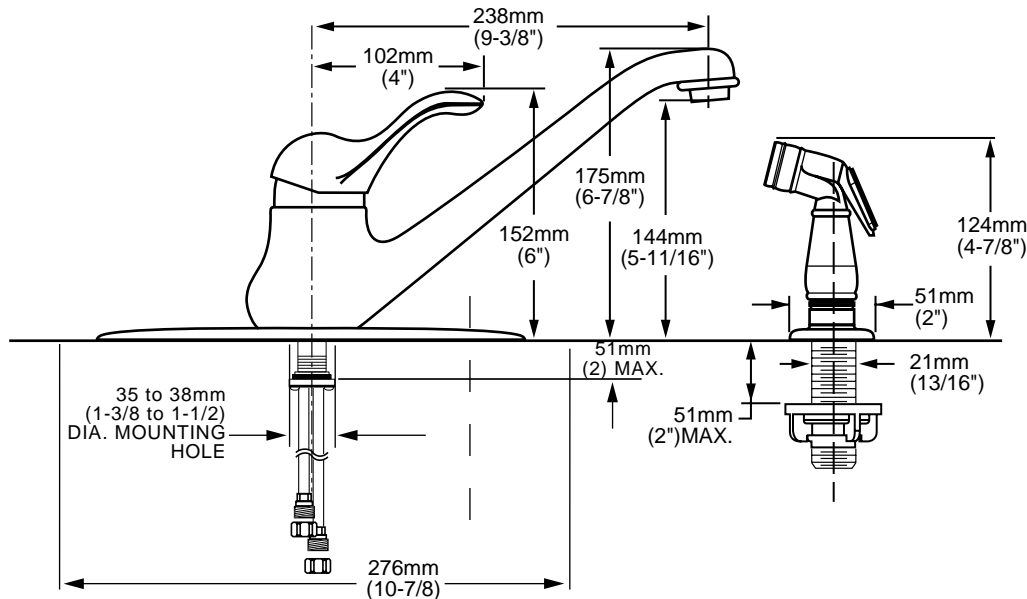
SINGLE CONTROL KITCHEN FAUCET WITH CAST BRASS SPOUT

MODEL NUMBER:

- 3821.641 Kitchen Faucet**
Handspray. 3/8" O.D. copper supplies. Escutcheon plate (use is optional).
- 3821.644 Kitchen Faucet**
Handspray. 1/2" male threaded connectors and nuts. Escutcheon plate (use is optional).
- 3821.631 Kitchen Faucet**
Handspray through escutcheon. 3/8" O.D. copper supplies.
- 3821.634 Kitchen Faucet**
Handspray through escutcheon. 1/2" male threaded connectors and nuts.



3821.641 Shown.



GENERAL DESCRIPTION:

Cast brass body and swing spout, stamped brass escutcheon plate, and metal lever handle. Washerless 47mm ceramic disc valve cartridge. Choice of 3/8" O.D. copper supplies or 3/8" O.D. copper supplies with male threaded connectors and nuts. 2.2 gpm/8.3L/min. maximum flow rate. Brass mounting shank with brass fixation ring for installation on counters up to 2". Model #3821.641/644 can be mounted with or without supplied escutcheon plate (escutcheon size 10-7/8"L x 2-7/8"W). Cap provided for less spray applications

PRODUCT FEATURES:

Brass and Copper Waterway, Cast Brass Spout: Highest quality materials for durability and long life.

Memory Position Valving: Allows user to turn valve on and off at preferred temperature setting without readjusting handle position each time.

Low Lead: Meets NSF Standard 61/Section 9 & Prop 65 lead requirements.

Ceramic Disc Valve Cartridge: Assures smooth, precise valve control and a lifetime of drip-free, maintenance-free performance.

Choice of Finishes: Wide range of durable finishes.

SUGGESTED SPECIFICATION:

Single control kitchen faucet shall feature a cast brass body and cast brass swing spout, stamped brass escutcheon plate, and metal lever handle. Shall also feature washerless ceramic disc valve cartridge. Fitting shall be American Standard Model # 3821.____.____.

American Standard

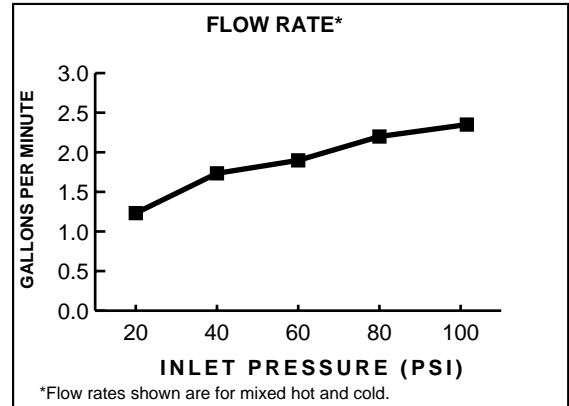
JASMINE

SINGLE CONTROL KITCHEN FAUCET WITH CAST BRASS SPOUT


CODES AND STANDARDS

These products meet or exceed the following codes and standards:

ANSI A117.1
ASME A112.18.1
CSA B 125
NSF 61/Section 9



Product Number	Description	Finish Options							
		Polished Chrome	Bone	PVD Blackened Bronze	PVD Polished Brass	White Heat	PVD Satin	PVD Satin /Brass mix	Chrome /PVD Brass mix
		002	021	068	099	208	295	297	299
3821.641	Kitchen faucet. Handspray. 3/8" O.D. copper inlets.								
3821.644	Kitchen faucet. Handspray. 1/2" male connectors.								
3821.631	Kitchen faucet. Handspray through escutcheon. 3/8" O.D. copper inlets.								
3821.634	Kitchen faucet. Handspray through escutcheon. 1/2" male connectors.								

 Meets the American Disabilities Act Guidelines and **ANSI A117.1** Requirements for the physically challenged.