

American Standard

CERAMIX

PRESSURE BALANCE BATH/SHOWER FITTING



2000.502 Shown.

MODEL NUMBER:

- 2000.502 Pressure Balance Bath/Shower**
Brass diverter spout. Adjustable showerhead.
- 2000.501 Pressure Balance Shower Only**
Adjustable showerhead.
- 2000.500 Pressure Balance Valve Only**

GENERAL DESCRIPTION:

Forged brass valve body. Washerless 47mm ceramic disc valve cartridge permits easy control over both water temperature and volume. Hot limit safety stop. Spool type pressure balancing cartridge maintains output temperature in response to changes in relative hot and cold supply pressure. Check stops are included to prevent cross flow. Combination 1/2" NPT male threaded or direct sweat inlets and outlets. Adjustable spray showerhead with 2.5gpm/9.5L/min. flow restrictor. Brass diverter tub spout.

PRODUCT FEATURES:

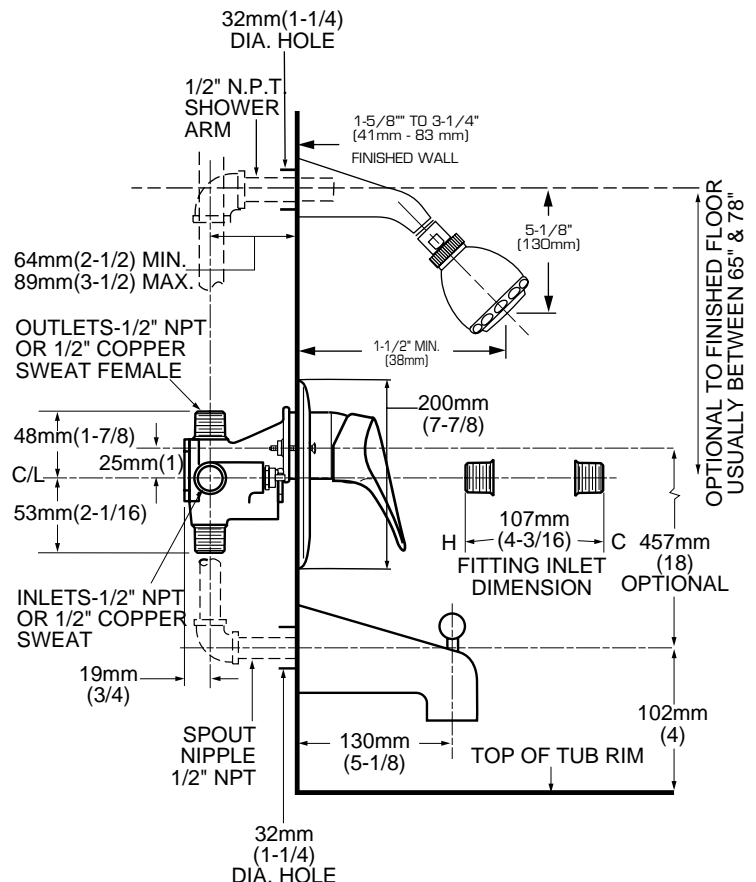
Solid Brass Construction: Durable, ideal material for prolonged contact with water.

Ceramic Disc Valve Cartridge: Assures a lifetime of drip-free performance.

Pressure Balancing Valve: Maintains output temperature in response to changes in relative hot and cold supply pressure.

Adjustable Hot Limit Safety Stop: Limits the amount of hot water allowed to mix with cold. Reduces the risk of accidental scalding.

Choice of Finishes: Choice of Polished Chrome, Polished Brass, or a variety of colors.



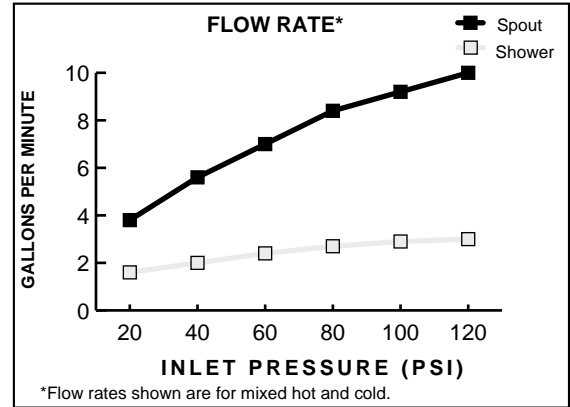
SUGGESTED SPECIFICATION:

Bath/shower fitting shall be forged brass construction with all brass spout and showerhead. Shall also feature washerless ceramic disc valve cartridge which allows user to control both water temperature and volume. Fitting shall be equipped with a pressure balancing mechanism and hot limit safety stop. Fitting shall be American Standard Model # 2000._____.


CODES AND STANDARDS

These products meet or exceed the following codes and standards:

- ANSI A117.1**
- ASME A112.18.1M**
- ASSE 1016**
- CSA B 125**



Product Number	Description	Finish Options								
		Polished Chrome	White	Bone	White/Chrome Mix	PVD Nickel/Brass Mix	PVD Polished Brass	PVD Satin	PVD Satin/Brass Mix	P Chrome/PVD Brass Mix
		002	020	021	025	062	099	295	297	299
2000.502	Pressure Balance Bath/Shower. Brass diverter tub spout.									
2000.501	Pressure Balance Shower Only. Brass showerhead.									
2000.500	Pressure Balance Valve Only.									

 Meets the American Disabilities Act Guidelines and **ANSI A117.1** Requirements for the physically challenged.