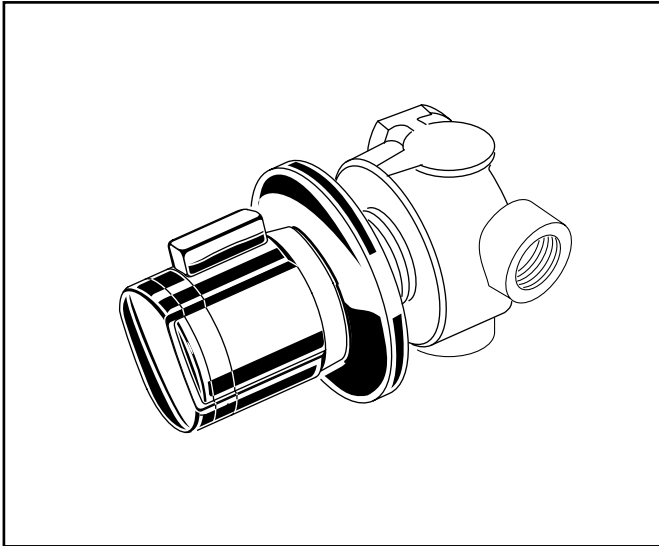


American Standard

**SHOWER
SYSTEMS**
DIVERTERS

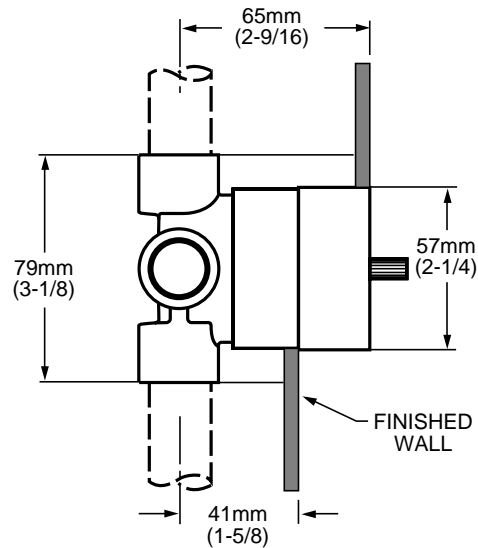


MODEL NUMBER:

- 1660.440 Two-Way In-Wall Diverter**
1/2" NPT inlets/outlets
- 1660.430 Three-Way In-Wall Diverter**
1/2" NPT inlets/outlets
- 1660.200 Two-Way In-Wall Diverter**
1/2" NPT inlets/outlets. Less Handle.
- 1660.300 Three-Way In-Wall Diverter**
1/2" NPT inlets/outlets. Less Handle.
- 1660.410 Shower Arm Diverter**
1/2" NPT connections

NOTE: Cannot be used as a shut-off valve.

ALL CONNECTIONS 1/2" NPT



GENERAL DESCRIPTION:

In-Wall Diverter: Rotational control alternates water flow between two (1660.440/200) or three (1660.430/300) different shower outlets (i.e. showerhead, handspray, body side spray or tub spout). Forged brass valve body. Mixed water inlet and two (1660.440/200) or three (1660.430/300) outlets are marked on back of valve body. 1/2" NPT connections on mixed water inlet and two (1660.440/200) or three (1660.430/300) outlets. Stamped brass escutcheon. Tub port with increased water flow (see chart).

NOTE: Cannot be used as a shut-off valve.

PRODUCT FEATURES:

Solid Brass Construction: Durable, ideal material for prolonged contact with water.

Removable Plaster Guard: Permits checking of valve installation prior to installing trim parts.

Choice of Finishes: Wide range of durable finishes.

SUGGESTED SPECIFICATION

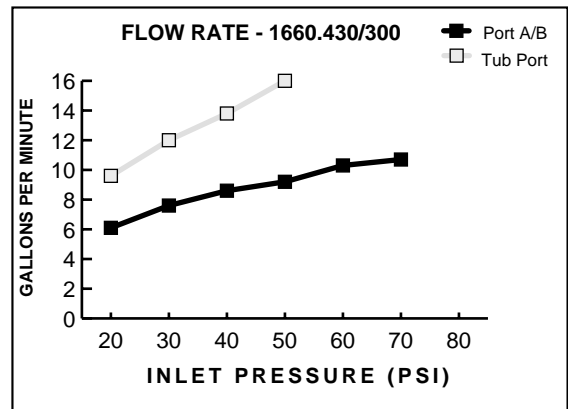
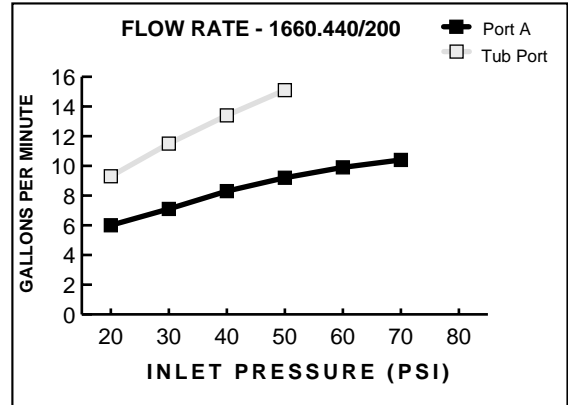
Two (three) way diverter shall feature a forged brass body with 1/2" NPT mixed water inlet and outlets. Fitting shall be American Standard Model # 1660.____._____.

TWO-WAY IN-WALL DIVERTER

CODES AND STANDARDS

These products meet or exceed the following codes and standards:

ASME A112.18.1M



Model #	Description
1660.410	SHOWER ARM DIVERTER <ul style="list-style-type: none"> Attaches to shower arm Controls water flow between showerhead and hand held shower. 1/2" NPT connections.

Product Number	Description	Finish Options			
		Polished Chrome	PVD Polished Brass	PVD Satin	Chrome /Brass (PVD) mix.
1660.440	Two-Way In-Wall Diverter with Handle	002	099	295	299
1660.430	Three-Way In-Wall Diverter with Handle				
1660.200	Two-Way In-Wall Diverter. Less Handle.				N/A
1660.300	Three-Way In-Wall Diverter. Less Handle.				N/A
1660.410	Shower Arm Diverter				N/A

N/A = NOT AVAILABLE

The above fittings will accept the following Amarisil-Series handles.*

Icon	Icon	Icon	Icon	Icon	Icon	Icon	Icon	Icon	Icon	Icon	Icon	Icon	Icon
Metal Cross	Metal Lever	Porcelain Cross	Perfume Bottle	Metal Cross	Metal Lever	Porcelain Lever	Wrist Blade	4-Arm Lever	Lever	Lexington	Triune Cross	Tendence	Ceratop
451	441	461	431	551	541	571	371H	351H	341H	901 911	861	871	891