

ANTIQUITY PEDESTAL SINK

- Vitreous china
- Turn-of-the-century detailing on lavatory and pedestal
- Rear overflow
- Supplied with mounting kit
- Faucet ledge with large deck area (faucet not included)
- Component of the Antiquity series of design-matched products

- 0228.080** Faucet holes on 8" (203mm) centers (Illustrated)
- 0224.040** Faucet holes on 4" (102mm) centers

Nominal Dimensions:

24-1/2" x 19" x 34" (610 x 483 x 864mm)

Separate Components:

- 0228.018** Pedestal top-8" (203mm) centers
- 0224.014** Pedestal top-4" (102mm) centers
- 731007-400** Pedestal only

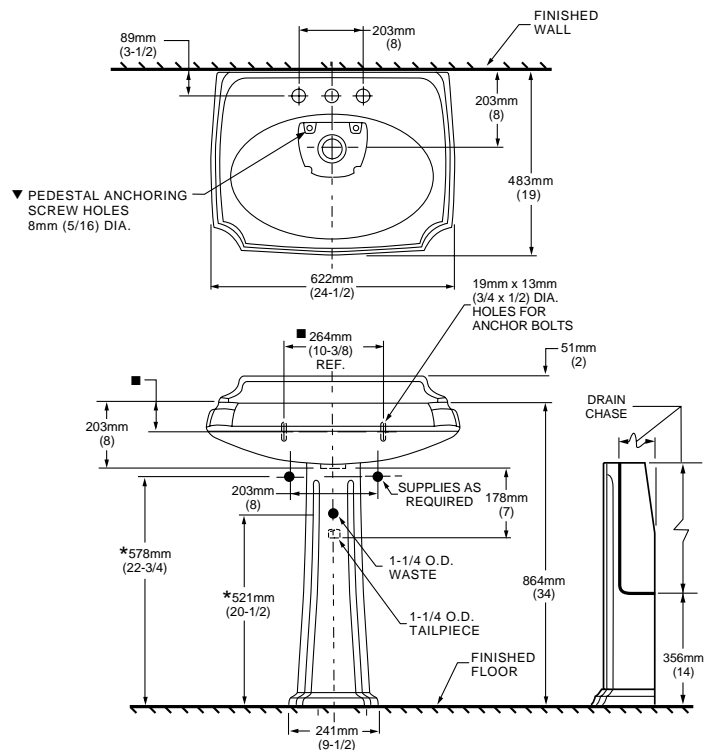
Bowl sizes:

19" (483mm) wide,
11-3/4" (298mm) front to back,
5-1/2" (140mm) deep

Compliance Certifications -

Meets or Exceeds the Following Specifications:

- ASME A112.19.2M for Vitreous China Fixtures



To Be Specified

- Color: White
- Faucet*:
- Faucet Finish:
- Supplies:
- 1-1/4" Trap:

* See faucet section for additional models available

NOTES:

* DIMENSIONS SHOWN FOR LOCATION OF SUPPLIES AND "P" TRAP ARE SUGGESTED.
 ▼ PEDESTAL ANCHORING SCREWS NOT INCLUDED.
 ■ SUITABLE FOR REINFORCEMENT ONLY. ACTUAL DIMENSIONS MUST BE TAKEN FROM FIXTURE.
 FITTINGS NOT INCLUDED AND MUST BE ORDERED SEPARATELY.
 PROVIDE SUITABLE REINFORCEMENT FOR ALL WALL SUPPORTS.
 IMPORTANT: Dimensions of fixtures are nominal and may vary within the range of tolerances established by ANSI Standard A112.19.2.
 These measurements are subject to change or cancellation. No responsibility is assumed for use of superseded or voided pages.