

SCRT600

Product Features

- 4.0 GPM @ 20 PSI minimum flow rate
- Brass body
- Ceramic cartridge
- Metal Lever handle

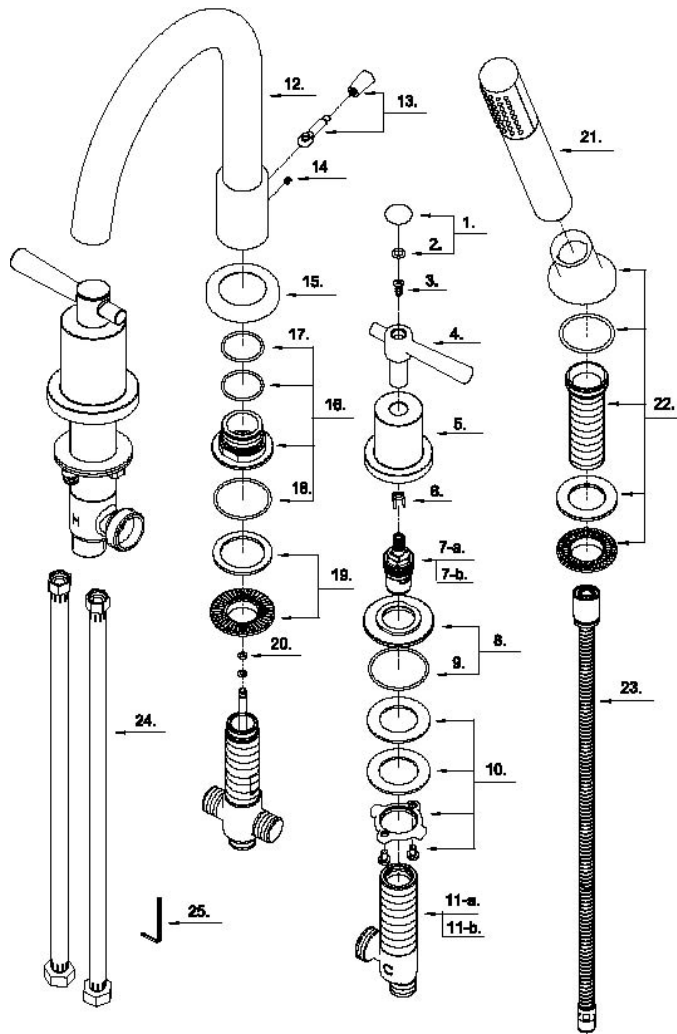
Standards/Approvals

- SCRT600 meets or exceeds:
- IAPMO/UPC (AB1953)
- Massachusetts



PRODUCT SPECIFICATION:

Roman Tub faucet shall have a brass body, ceramic cartridge, metal lever handles. Product shall be able to be installed 8" to 15" centers applications. Product shall be schön brass works model SCRT600



Other Specifications

Faucet Hole diameter	1-1/2"
Spout height	11 11-16"
Spout reach	8"
Aerator clearance	6 11//16"

Available Finishes

Chrome
Satin Nickel

PARTS LISTING

No	Part Number	Part Name	Q'ty
1	A66D422xx	Handle Cap	2
2	A004046N	O-Ring (Φ 1/4" ID * Φ 3/8" OD)	2
3	A008041	Screw (3/16" -24 * 7/16" L)	2
4	A069899xx	Metal Handle	2
5	A018073xx	Handle Base	2
6	A126108	Fixing Set	2
7-a	A507376N	Ceramic Disc Cartridge-Cold	2
7-b	A507375N	Ceramic Disc Cartridge-Hot	2
8	A66D423	Handle Trim Ring	2
9	A072032N	O-Ring (Φ 1-5/8" ID * Φ 1-13/16" OD)	2
10	A663951	Mounting Hardware Assembly	2
11-a	A002544C	Handle Valve Body-Cold	1
11-b	A002544H	Handle Valve Body-Hot	1
12	A139720xx	Spout	1
13	A66D448xx	Lift Rod	1
14	A008191	Screw (M4 * 5 mm L)	1
15	A071342xx	Spout Trim Ring	1
16	A66D449	Adaptor Assembly	1
17	A072048N	O-Ring (Φ 1-1/16" ID * Φ 1-1/4" OD)	1
18	A004107	O-Ring (Φ 1-9/16" ID * Φ 1-11/16" OD)	1
19	A66D450	Mounting Hardware	1
20	A072069	O-Ring (Φ 1/8" ID * Φ 1/4" OD)	1
21	S2211195xx	Hand Shower W/Check Valve	1
22	A604627xx	Spray Holder Assembly (3-3/4"L)	1
23	A134036xx	Shower Hose (72")	1
24	A105137	Supply Hose	1
25	A031003	Hex Wrench(H2 * 17 mm L * 49 mm L)	1

XX designates finish matched parts