



Belle Forêt
collection

N500

TUB & SHOWER FAUCET

Product Features

Single handle pressure balance

Maximum flow rate

Shower head 2.5 GPM @ 80PSI

Minimum flow rate

Tub spout 2.4 GPM @ 20PSI

6" diameter brass showerhead

12" right angle shower arm

1/2" IPS and 5/8" CTS inlet

1/2" IPS or slip-fit tub spout

Drip free washerless cartridge

Diverter in valve

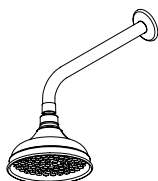
Handle:

N500 01 Metal lever handle

N500 02 Metal cross handle



N500 01



N500 02



Standards/Approvals

N500 meets or exceeds:

ANSI/ASME A112.18.1

IAPMO/UPC

Massachusetts

N500 01 meets ADA requirements

UPC®

PRODUCT SPECIFICATION:

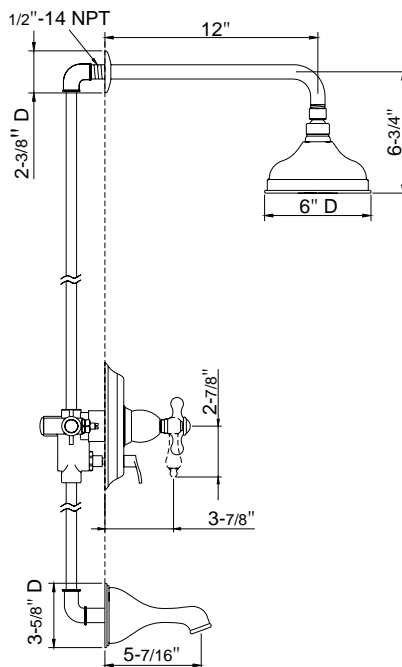
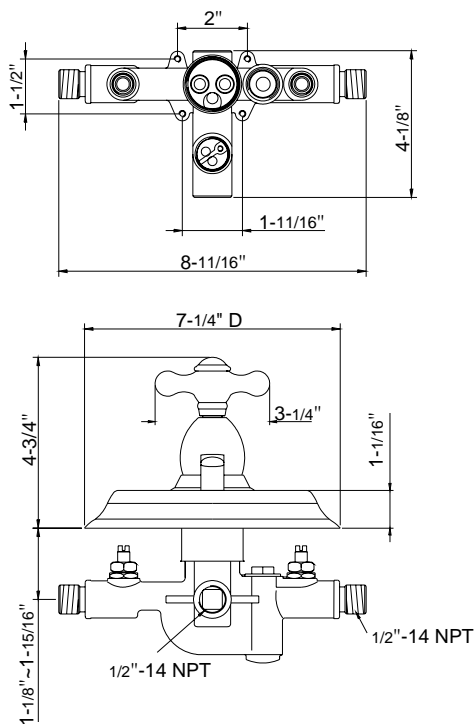
Single handle pressure balance tub & shower faucet shall have a brass body, washerless cartridge, metal lever or metal cross handle. Product shall be Belle Forêt model N500 _____.



Belle Forêt
collection

N500 TUB & SHOWER FAUCET

Pressure Balance Installation



Available Finishes

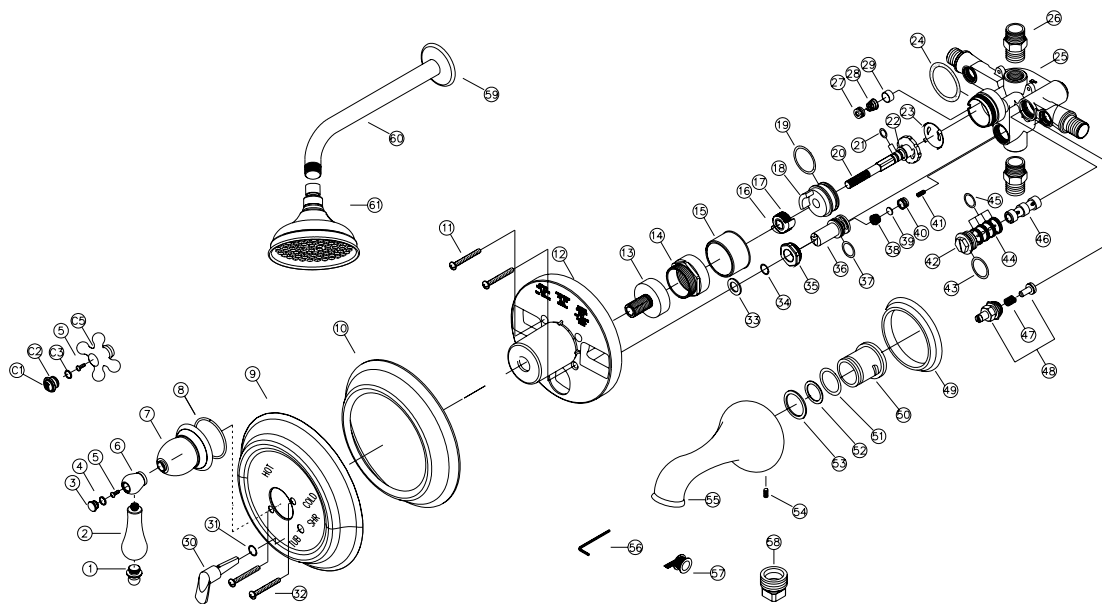
- Chrome
- Polished Brass
- Satin Nickel
- Oil Rubbed Bronze
- Matte Nickel
- Weathered Copper



Belle Forêt
collection

N500 TUB & SHOWER FAUCET

PARTS BREAKDOWN





Belle Forêt
collection

N500 TUB & SHOWER FAUCET

PARTS LISTING

No	Name	Kit / Part #	Q'ty	No	Name	Kit / Part #	Q'ty
1	Knob	N/A	1	25	Body assembly	N/A	1
2	Lever handle		1	26	Connector		2
3	Index	663292xx	1	30	Diverter handle		1
4	O-ring		1	31	Washer	1	
5	Screw		1	32	Screw	668209xx	2
C1	Porcelain index	663980xx	1	33	Washer	663986	1
C2	Cap		1	34	Clip ring		1
C3	O-ring		1	35	Nut		1
5	Screw		1	36	Diverter		1
C5	Cross handle	N/A	1	37	O-ring		1
6	Handle hub		1	38	Seat		1
7	Canopy		1	39	Washer		1
8	O-ring		1	40	Spring		1
9	Escutcheon		1	41	Screw	1	
10	Seal		1	42	Pressure balance device	507041	1
11	Screw		2	43			1
12	Plaster guard		1	44			1
13	Stem sleeve		1	45			4
14	Retainer nut		1	46	1		
15	Sleeve	1	47	Check valve	663987	2	
16	Temperature limit gear	663983	1			48	2
17	Temperature limit gear		1	49	Trim ring	1	
16	Temperature limit gear	663984	1	50	Adapter assembly	663137xx	1
17	Temperature limit gear		1	51	O-ring		1
18	Temperature limit stop		1	52	O-ring		1
19	O-ring		1	53	Washer		1
20	Cartridge		1	54	Set screw		1
21	O-ring		2	55	Spout		1
22	Washer		1	56	Allen wrench		1
23	Plate		1	57	Pipe tape		N/A
24	O-ring		1	58	Plug	1	
27	Seat		2	59	Shower flange	019001xx	1
28	Spring	2	60	Shower arm	020015xx	1	
29	Plate	2	61	Showerhead	S1110610xx	1	

xx designates finish matched parts.