



*Belle Forêt*  
collection

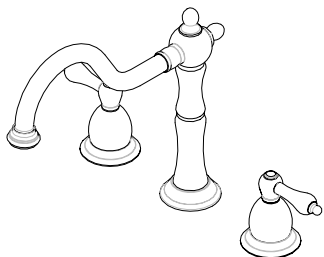
# N130

## TWO HANDLE KITCHEN FAUCET

### Product Features

- 6-12" Widespread Installation
- 2.2 GPM @ 60PSI water saving aerator
- Brass body
- 1/2" 14 NPS Inlet
- Ceramic cartridge
- Handle:

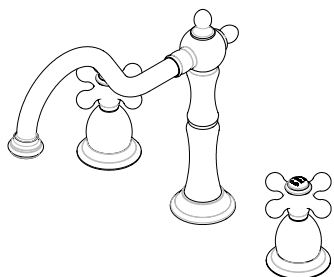
- N130 01 Metal lever handle
- N130 02 Metal cross handle



**N130 01**

### Standards/Approvals

- N130 meets or exceeds:
- ANSI/ASME A112.18.1
- ANSI/NSF 61 – Sec 9
- IAPMO/UPC
- California Proposition 65
- Massachusetts
- N130 01 meets ADA requirements



**N130 02**



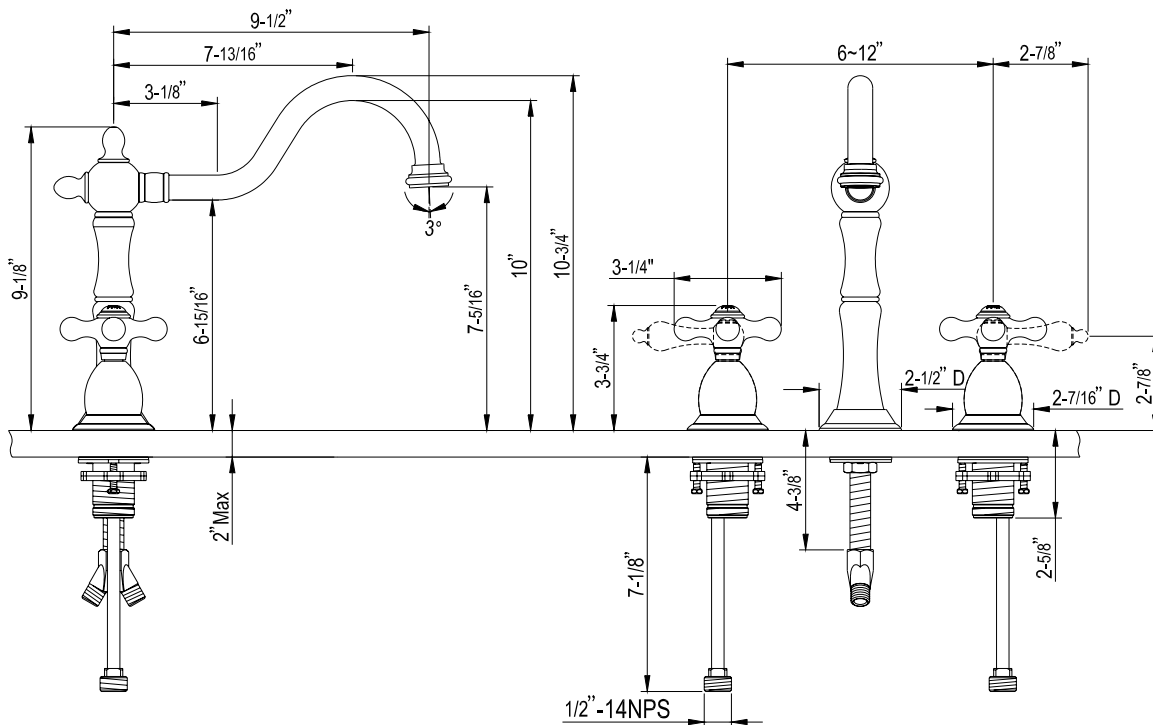
### PRODUCT SPECIFICATION:

Two-handle kitchen faucet shall have a brass body, ceramic cartridge, 9-1/2" spout and metal lever or metal cross handle. Product shall be able to be installed in 6-12" widespread installation. Product shall be Belle Forêt model N130 \_\_\_\_\_.



*Belle Forêt*  
collection

# N130 TWO HANDLE KITCHEN FAUCET



## Other Specifications

Faucet Hole diameter	1-1/2"
Max Deck Thickness	
Spout	3"
Valve Body	2"

## Available Finishes

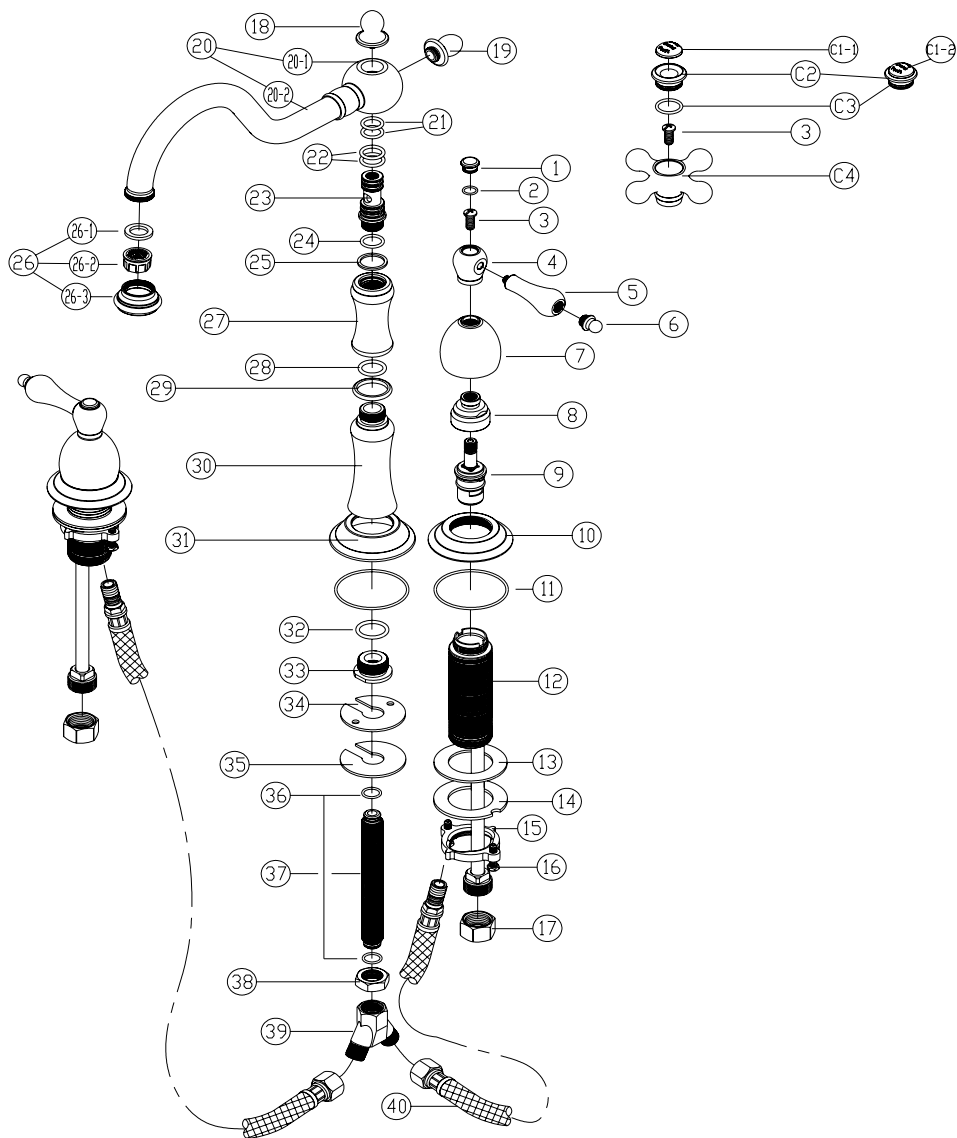
- Chrome
- Polished Brass
- Stainless Steel
- Oil Rubbed Bronze
- Matte Nickel
- Weathered Copper



Belle Forêt  
collection

# N130 TWO HANDLE KITCHEN FAUCET

## PARTS BREAKDOWN





*Belle Forêt*  
collection

# N130

## TWO HANDLE KITCHEN FAUCET

### PARTS LISTING

No	Name	Kit / Part #	Q'ty	No	Name	Kit / Part #	Q'ty
1	Index-Metal	663292xx	1	19	Knob	N/A	1
2	O-RING		1	20	Spout		1
3	Screw		1	20-1	Spout joint		1
4	Handle hub	N/A	2	20-2	Spout tube		1
5	Lever		2	21	O-RING		2
6	Handle knob		2	22	O-RING	2	
C1-1	Index-English	663295xx	2	23	Connector		1
C2	Handle cap		2	24	O-RING		1
C3	O-RING		2	25	Washer		1
C1-2	Index kit-French		2	26	Aerator	500768Nxx	
C2	Handle cap		2	26-1	Seal		1
C3	O-RING		2	26-2	Insert		1
3	Screw		2	26-3	Aerator shell		1
C4	Cross handle	N/A	2	27	Connector	N/A	1
7	Canopy		2	28	O-RING		1
8	Retainer nut	663998N	1	29	Ring		1
9	Cartridge -Hot		1	30	Connector	1	
8	Retainer nut	663999N	1	31	Trim ring	034750xx	1
9	Cartridge-Cold		1	32	O-RING	N/A	1
10	Trim ring	N/A	2	33	Connector		1
11	O-RING		3	34	Seal		1
12	Valve Body		2	35	Washer		1
13	Seal		2	36	O-RING		2
14	Washer		2	37	Shank		1
15	Nut		2	38	Nut		1
16	Screw		4	39	Connector	1	
17	Supply Nut		2	40	Supply hose	668210N	2
18	Knob			1			

xx designates finish matched parts.