



SOSL

Single Offset Supplies

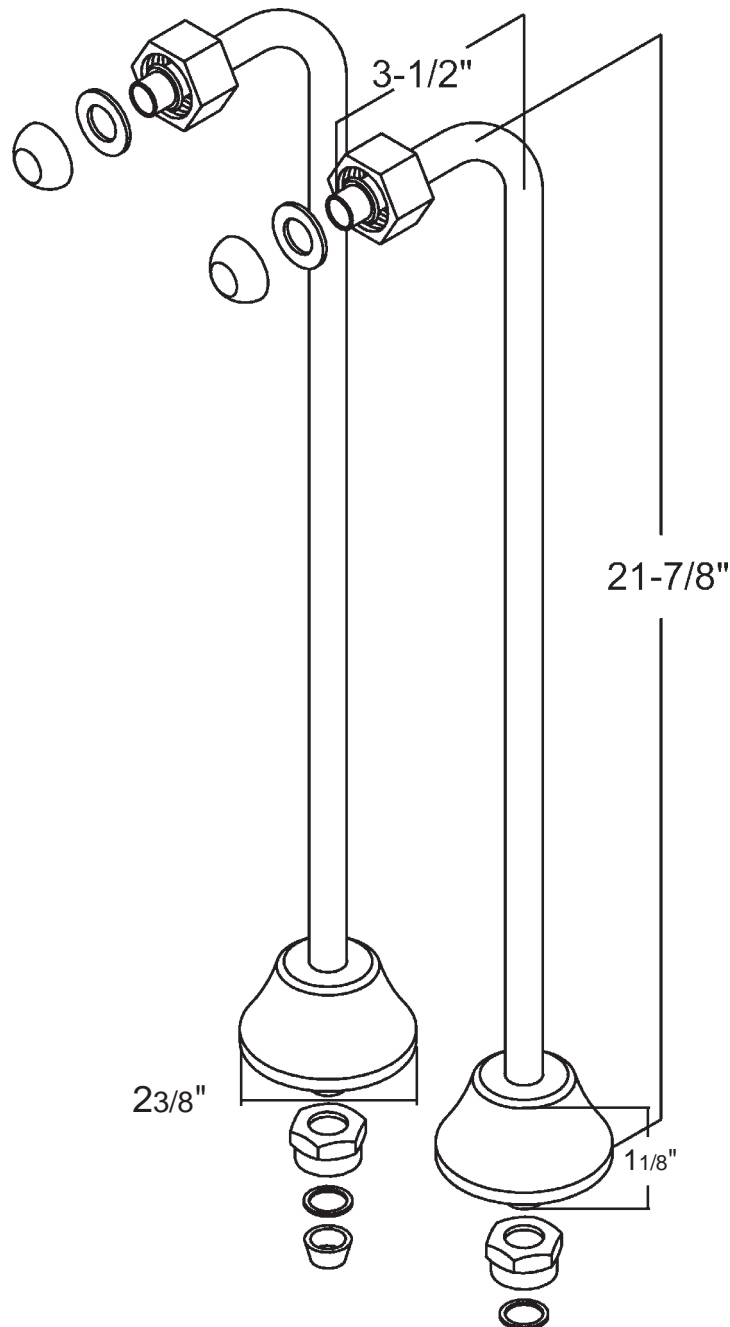
For use when hot and cold waters supplies are roughed in at 33/8" centers and the tubwall mounted faucet is on 33/8" centers

Tubing 1/2" OD

Flow Rate @ 60PSI

Hot Supply Line 10 GPM

Cold Supply Line 10 GPM



Revised 11/16/04