



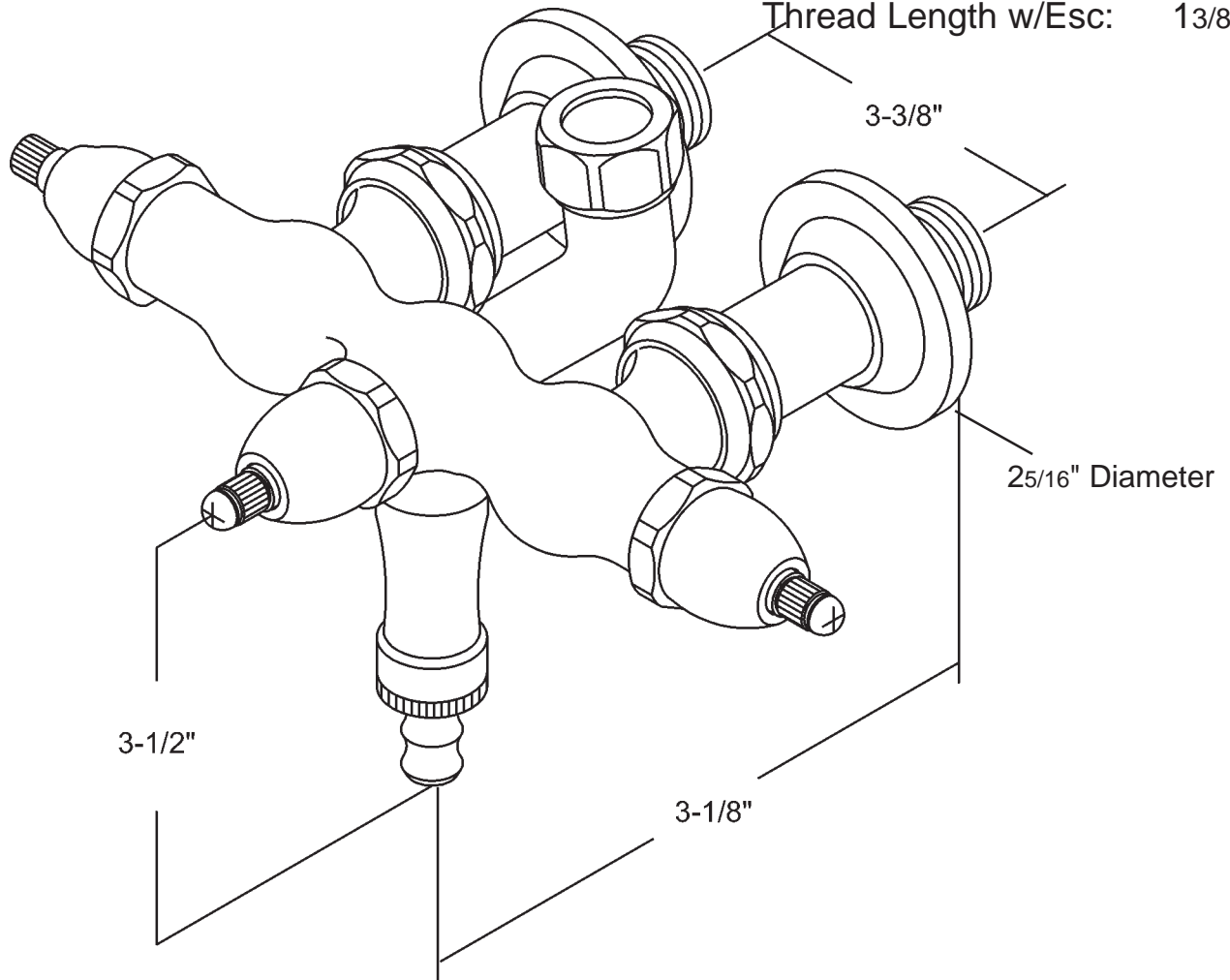
# Specification for **TW01 - TW03**

Tubwall Mount or mount on  
Freestanding Supplies

1/4" Turn Washerless Cartridges

Flow Rate : 5.5 GPM @ 60 PSI  
Handshower 2.5 GPM

Inlets: 1" OD  
Total Thread Length: 1 15/16"  
Thread Length w/Esc: 1 3/8"





# Specification for **TW01 - TW03** (Cont.)

