

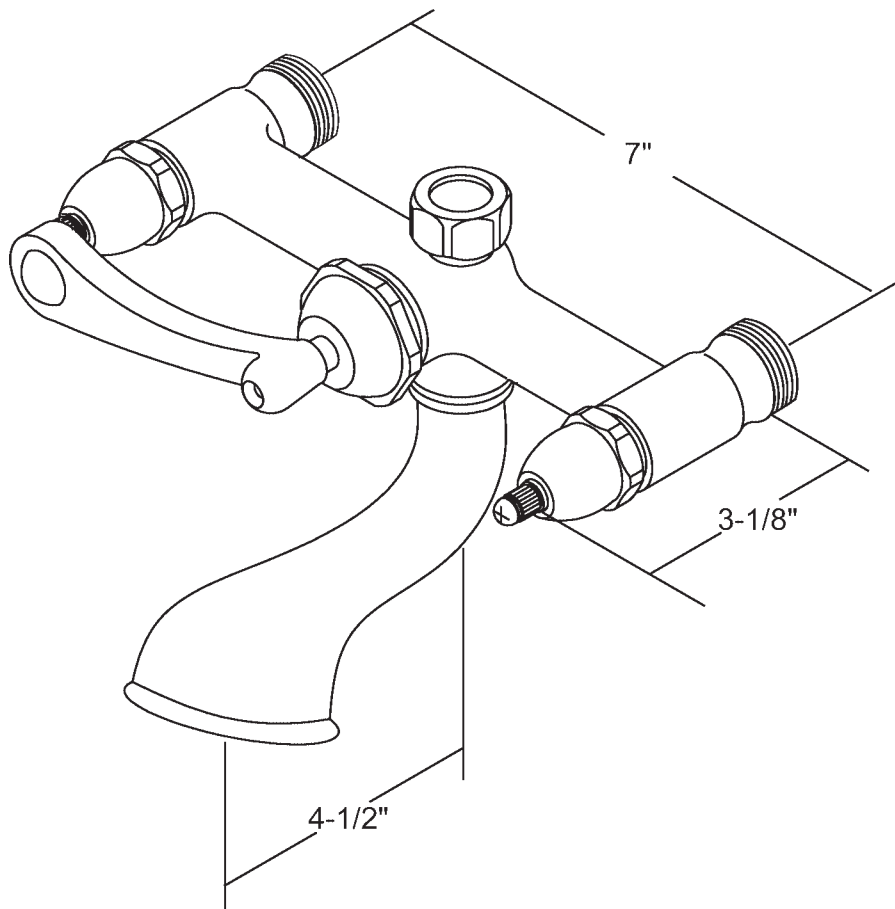


# Specification for **RM21 - RM25**

For Tub-Rim Mount Only  
1/4" Turn Washerless Cartridges

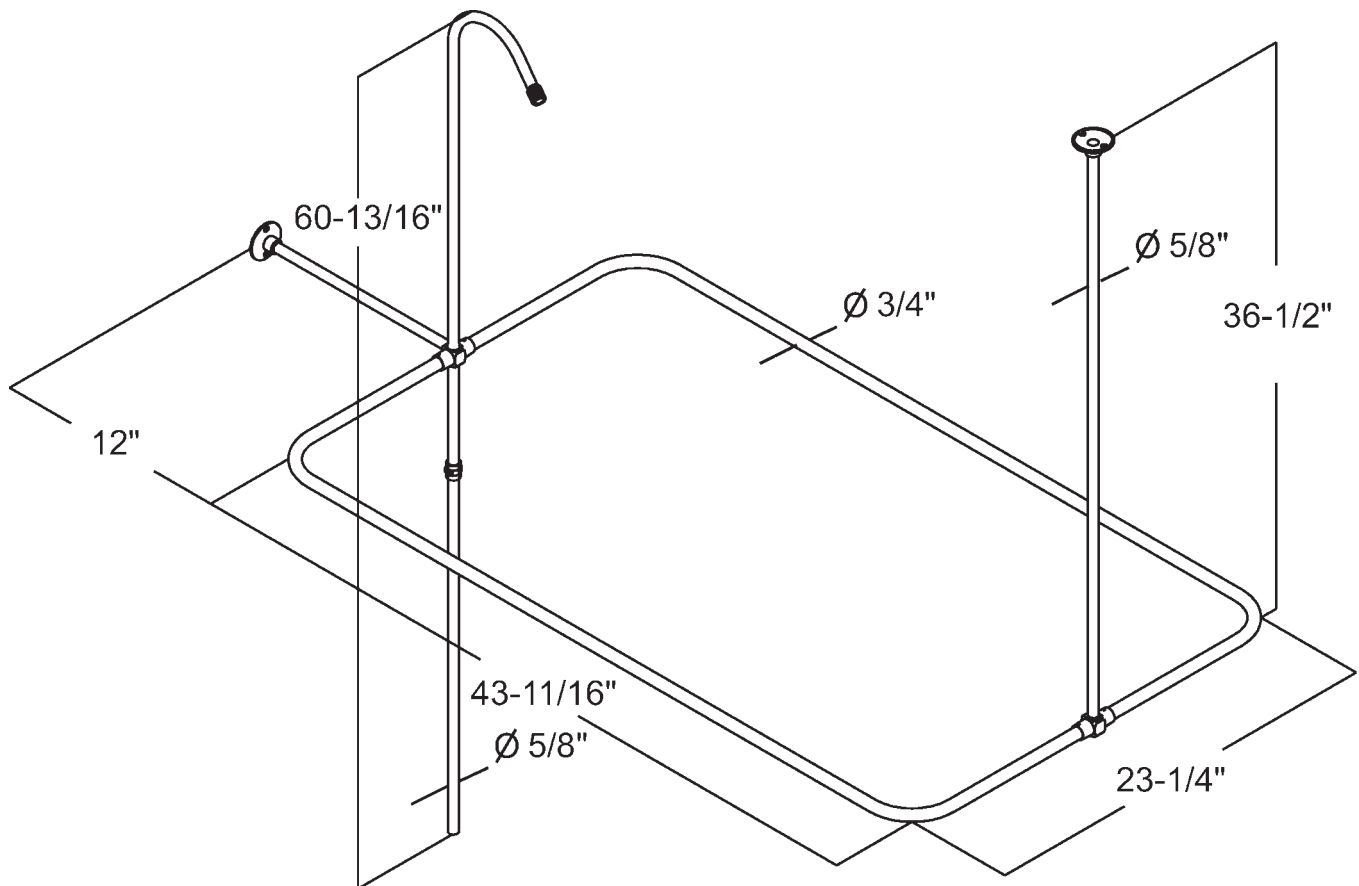
Flow Rate : 6 GPM @ 60 PSI

Inlets: 1/2" IPS



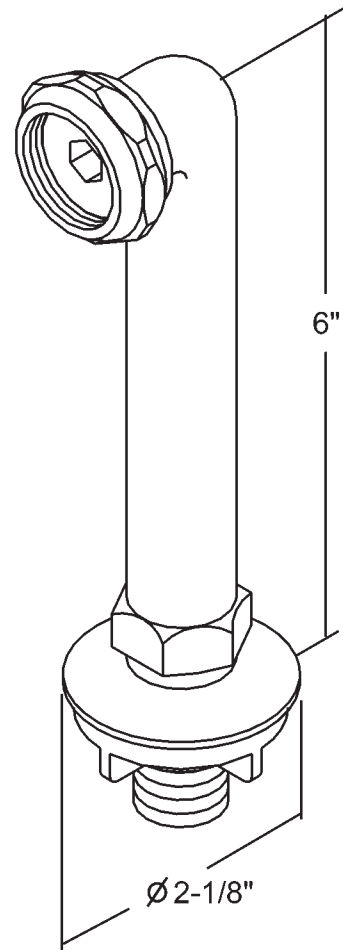
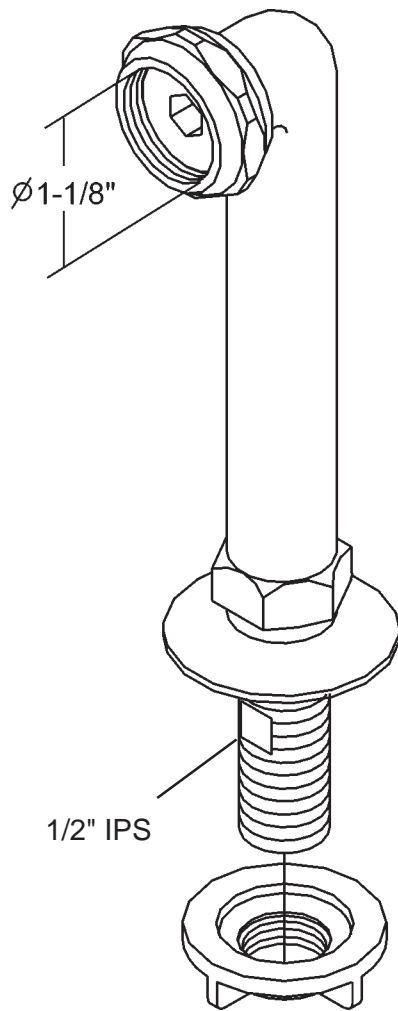


# Specification for RM21 - RM25 (Cont.)





# Specification for RM21 - RM25 (Cont.)





# Specification for RM21 - RM25 (Cont.)

