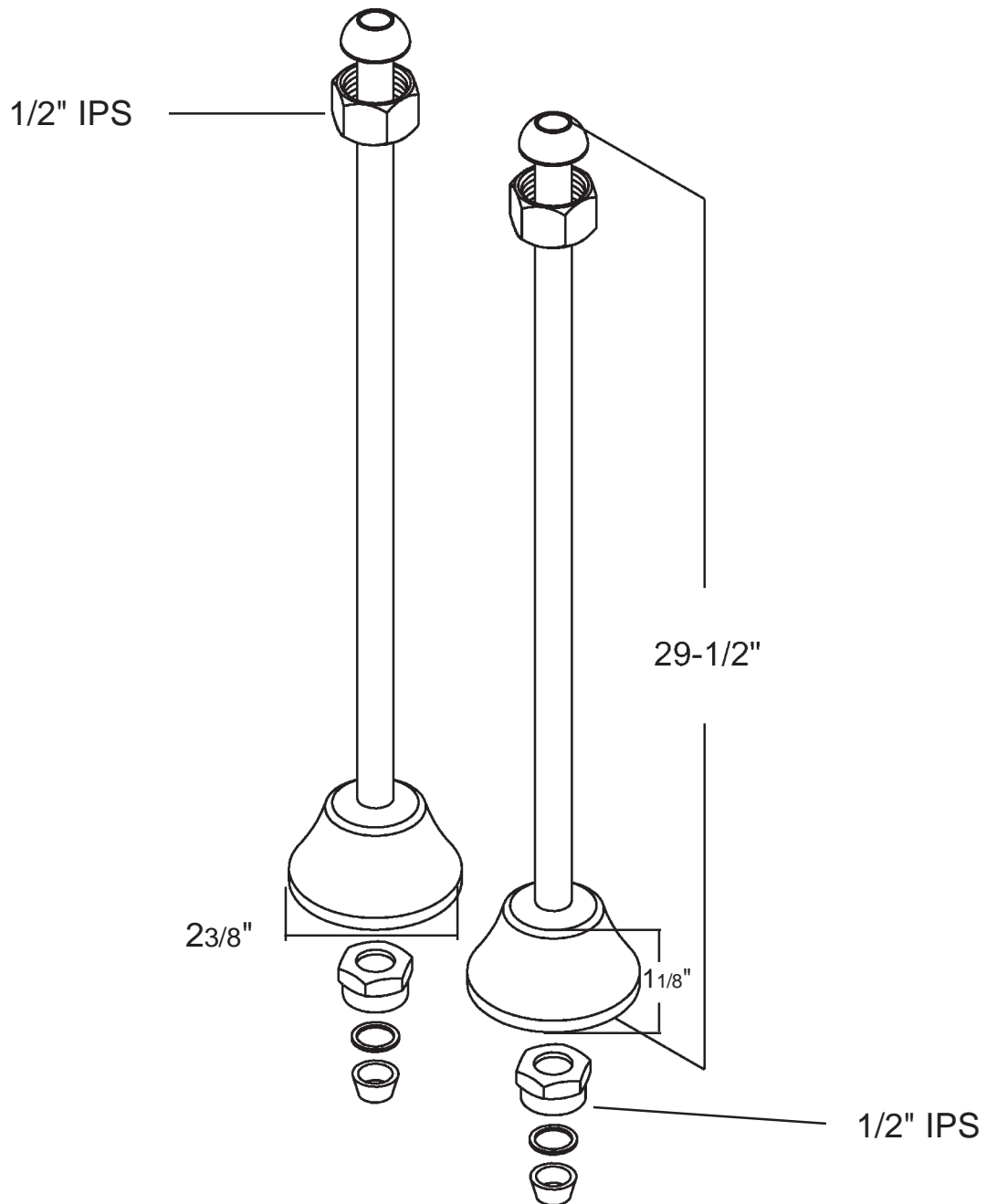




Specification for SSL

Tubing 1/2" OD
Flow Rate @ 60PSI
Hot Supply Line 10 GPM
Cold Supply Line 10 GPM



Revised 1/18/03