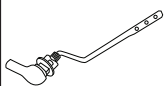


















**STEP-BY-STEP
ILLUSTRATED**

Instructions

287-706, 287-772
1 Piece Toilet

INSTALLATION PROCEDURE

PARTS:			
A Tank Flush Lever	x1		
B Plastic Decorative Caps	x2		
C Toilet Seat Includes Hardware	x1		
D Wax Sealing Ring	x1		
E Floor Bolts Kit (2x Bolts, 2x Plastic Washer, 2x Steel Washer, 2x Nuts)	x1		

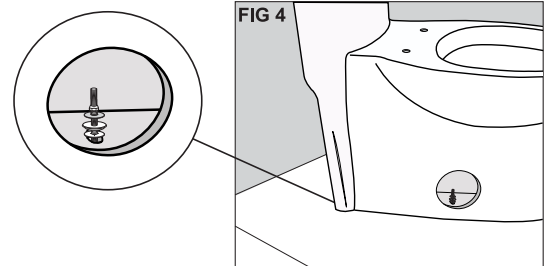
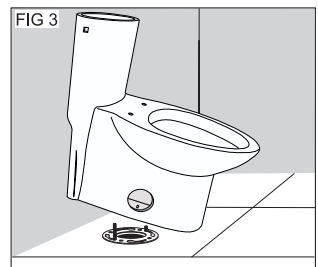
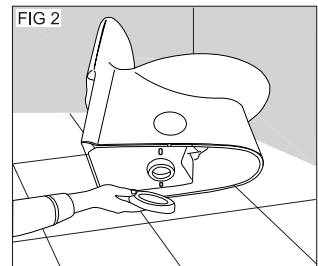
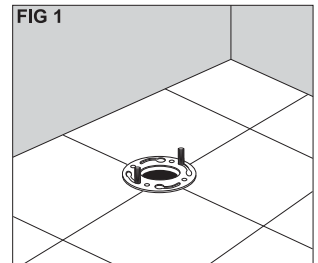
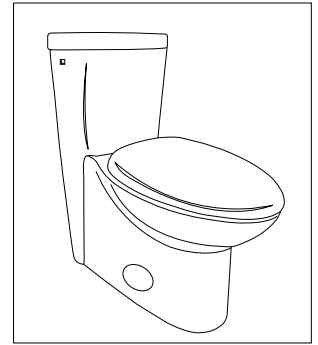
TOOLS AND MATERIALS REQUIRED:			
A Floor Flange (May already be installed if replacing existing toilet)	x1		
B Water Supply Kit (Not needed if replacing existing toilet)	x1		
C Deep Socket Wrench			
D Flathead Screwdriver			
E Level			
F Putty Knife			
G Tape Measure			

REMOVING YOUR OLD TOILET

- 1 Turn off the water supply.
- 2 Flush the toilet to empty the tank. Remove any water left in the tank or bowl.
- 3 Disconnect the supply line from tank.
- 4 Remove decorative caps. Unscrew nuts that attach the toilet to the floor.
- 5 Remove toilet.

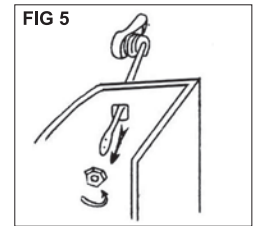
INSTALLATION PROCEDURE

- 1 Make sure the water supply valve is shut off before installation.
- 2 Remove old closet bolts from closet flange. Clean any old wax, putty, etc. from base area.
- 3 Turn the toilet side ways onto a soft surface to avoid scratches on the finish. Place a new wax ring around the waste flange of the toilet bowl. (See Figure 2)
- 4 Lower the toilet onto the closet bolts, so the bolts project through mounting holes in base of toilet. (See Figure 3) Using a rocking motion, press the bowl down to position the toilet onto the flange.
- 5 Install plastic washers, followed by metal washers and nuts onto the closet-bolts. (See Figure 4) Using the deep socket wrench (C), tighten the bolts alternately until toilet is firmly seated on the floor. **CAUTION: DO NOT OVERTIGHTEN NUTS, SEVERE DAMAGE MAY OCCUR**
- 6 Attach the plastic decorative caps on each side of the bowl.



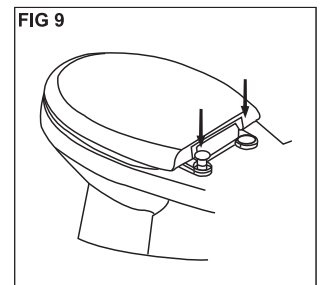
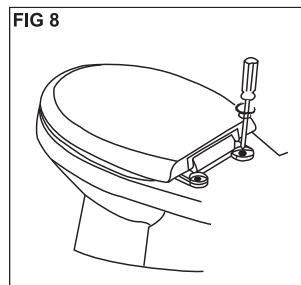
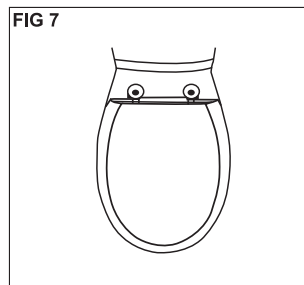
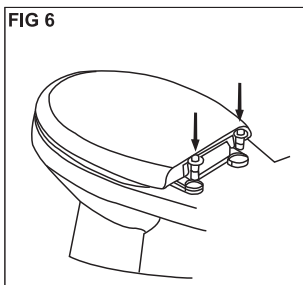
INSTALLING YOUR TANK LEVER HANDLE (A)

- 1** Turn clockwise to remove plastic nut from the lever arm.
- 2** Insert lever arm through the hole on the left side of tank. The lever should be facing the back of the toilet. Screw the plastic nut counterclockwise to tighten it. (See Figure 5)
- 3** Hook the chain onto the lever into the furthest hole from the lever. With the lever at rest, the chain should only be long enough for flapper to close.



INSTALLING YOUR TOILET SEAT

- 1** Place the Toilet Seat on top of the bowl and then insert the provided lock-bolt sets into the toilet seat trough and toilet bowl seat holes. (See Figure 6)
- 2** Align the Toilet Seat to the top rim of the toilet bowl. (See Figure 7)
- 3** Use a screwdriver to firmly tighten 2 lock bolts down to the bowl. (See Figure 8)
- 4** Push the decorative caps down to the seat trough. (See Figure 9)



CONNECT WATER SUPPLY

- 1** Connect water supply line (new or existing) between shut-off valve and tank inlet water fitting. Tighten coupling nuts securely.
- 2** Turn on supply valve and allow tank to fill until float rises to shut-off position.
- 3** Check for leakage at fitting. Tighten or correct as needed.

WATER LEVEL & CONSUMPTION ADJUSTMENTS

- 1** Please Note: This unit comes pre-set from the factory. Adjusting these settings may affect the performance and void any warranty.

TROUBLE SHOOTING

Problem: Water leaks from the tank to the bowl.

Solution: 1) Check for obstruction or breakage on the bottom. 2) Make sure that the threaded rod for the handle has not exceeded its standard operating length.

Problem: Water level is too low or too high.

Solution: Adjust the fill valve. (See: Water Level Adjustments)

Problem: Poor Flush, the water level is below water line mark.

Solution: The shut-off valve is not completely open; verify that the shut-off valve opens fully. The water supply line can be twisted, ensure that it is sitting in the tank properly. Fine tune adjustments are located on the side and bottom of the flush valve mechanism.

Problem: Water running-It may occur if the flush seal is not completely closed.

Solution: Verify if there is any obstruction with the flush seal.

REPAIR PARTS:
Fill Valve Huida #A2002
Flush Valve Huida #P2020
Tank Flush Lever YD0219
Toilet Seat #119-S



**STEP-BY-STEP
ILLUSTRATED**

Instructions

**287-706, 287-772
1 Piece Toilet**

LIMITED LIFETIME WARRANTY

THE HOME DEPOT warrants this product to be free from defects in materials and workmanship for as long as the original consumer purchaser owns their home.

THE HOME DEPOT will provide free of charge, at its option, replacement parts or product for comparable product (if no longer available) to replace those which have proved defective in materials or workmanship. Proof of purchase (original sales receipt) from the original Consumer Purchaser must be made available to **THE HOME DEPOT** for all warranty claims. This warranty is non-transferable. It does not apply in the event of installation error, abuse, misuse, or improper care and maintenance (whether by a contractor, service company, or member of the purchaser's household).

This warranty excludes all industrial, commercial, and business usage.

This warranty does not cover labour charges incurred and/or damage sustained in installation, repair or replacement, non-incidentual or consequential damages.

**To obtain warranty service or product information call our CUSTOMER SERVICE CENTER:
1-877-527-0313**

This warranty gives the original purchaser of this product specific legal rights which may vary from state to state or province to province.

In some states or provinces, the exclusion or limitation of incidental or consequential damages is not allowed, so those exclusions may not apply to you.