

FEATURES

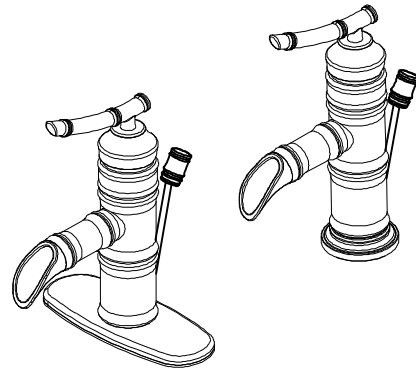
- Ceramic Cartridge
- With Optional Deck Plate
- With 50/50 Pop-up
- Requires Single or 3-Hole Sink
- 1/2" IPS connections
- Max Flow Rate: 1.5 GPM at 60 PSI

CODE COMPLIANCE

- ASME A112.18.1/CSA B125.1
- NSF 61 Section 9
- IAPMO Certified
- EPA Watersense Certified
- Meets AB 1953 Lead Standard

WARRANTY

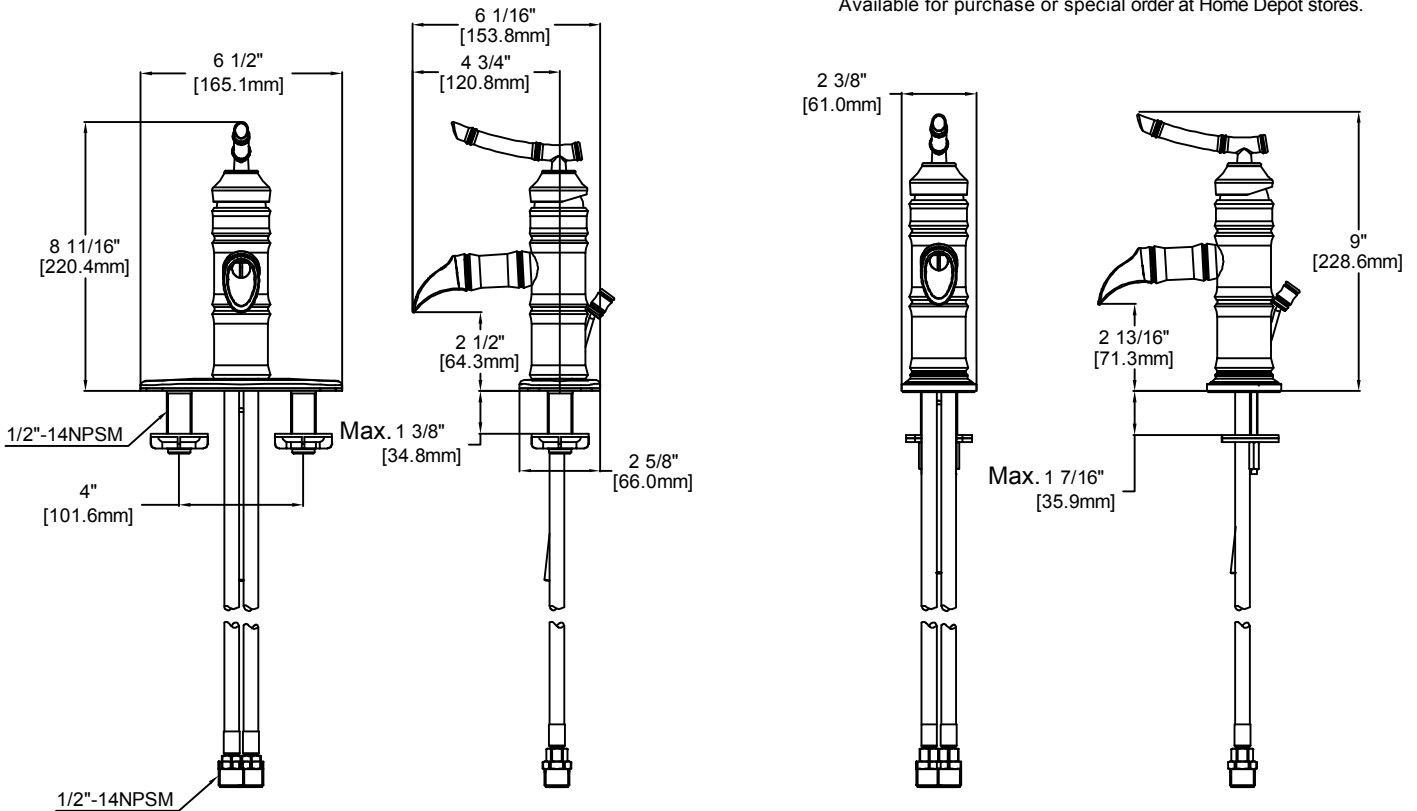
- Limited Lifetime Warranty



Single Handle Lavatory Faucet

MODEL	FINISH
67109-8004	Brush Nickel
67109-8096H	Heritage Bronze

Available for purchase or special order at Home Depot stores.



INSTALLATION DIMENSIONS

Pegasus reserves the right to make changes in specifications and materials and to change and discontinue models, both without the notice or obligation. Dimensions are for reference only.