

*Adlonco Holdings*

## Owner's Manual

**Rafter 1" x 1"**

**Add a room**

**Model No.**

<b>E0806</b>	<b>E1107</b>	<b>E1508</b>	<b>E1809</b>	<b>E2210</b>	<b>E2611</b>	(96" at the wall)
<b>G0806</b>	<b>G1107</b>	<b>G1508</b>	<b>G1809</b>	<b>G2210</b>	<b>G2611</b>	(88" at the wall)
<b>H0806</b>	<b>H1107</b>	<b>H1508</b>	<b>H1809</b>	<b>H2210</b>	<b>H2611</b>	(107" at the wall)



**CAUTION:**  
Before attempting to install this Add-A-Room, read this manual and follow all its Safety Rules and Installation Instructions.

- Safety Instructions
- Pre-assembly
- Installation
- Cleaning
- Maintenance & Storing
- Replacement Parts

**Adlonco Holdings, Montreal, Quebec H4T 1K2**

# SAFETY, PRE-ASSEMBLY & INSTALLATION

## SAFETY

### CAUTION

Before attempting to install this Add-A-Room, read this manual and follow all its Safety Rules and Installation Instructions.

### WARNING

Keep open flames and flammable materials outside and at a safe distance from your Add-A-Room. Although the roof meets CPAI Code 84 requirements for flame retardancy, it is NOT fireproof.

The roof must be removed during the winter season. This Add-A-Room is NOT designed to support a snow load.

Rain gutters on the house roof in the area above the Add-A-Room are required to prevent possible damage from excessive water accumulation on the roof.

Under certain conditions, the vinyl roof may display a slight relaxing effect, causing slight depressions. Should water collect in these depressions, remove it by standing inside the Add-A-Room and pushing upward and outward with a broom or other soft object that will not damage the roof. Do not use a sharp object that will cut the roof.

Remove the roof from your Add-A-Room if strong winds or storms are forecasted to prevent damage to the roof.

## PRE-ASSEMBLY

### CAUTION

Do not attempt to assemble your Add-A-Room under windy conditions to avoid damaging the components and to prevent possible injury.

1. We recommend using two people to assemble and install the Add-A-Room. It is safer and easier with two people.
2. Check the height from your patio or deck. You must have a height of at least 96" **E series**, 88" **G series** or 107" **H series** to install the roof.
3. Prepare a base for the Add-A-Room. **It is critical that the base be solid and level** to allow you to install the Add-A-Room properly and to prevent it from shifting over time. The best base is concrete or a wooden deck. At the very least, a weather resistant 2" x 4".

4. As a minimum, you will need the following tools to assemble and install your Add-A-Room:
  - Electric or cordless drill
  - 1/8" & 5/32" drill bits
  - #2 Robertson (square) screwdriver
  - Medium sized slot screwdriver
  - 9/16" wrench
  - Pliers
  - Cutting pliers or scissors
  - Stepladder

NOTE: You will need fasteners to anchor the Add-A-Room to the base and to the wall of the house. As these surfaces and fastener requirements vary widely, these fasteners are not included with the hardware.

## OPEN CARTONS

1. Open the long box and remove all components. Check components against the parts list to make sure all parts are present.
  2. Open the wide box and remove the parts bag and vinyl roof only.
    - Open parts bag and check components against the parts list to make sure all parts are present.
    - Remove vinyl roof from the plastic bag, and then open up the roof on a clean dry surface with no sharp objects. Leave vinyl roof in the direct sun so it will become more pliable and easier to handle during installation.
- NOTE: Do not remove screen wall assembly from the carton at this point.

## INSTALLATION

### INSTALL REAR ROOF TRACK

Install rear roof track to the wall of the house at exactly 96" **E series**, 88" **G series** or 107" **H series** above the deck or base you prepared for your Add-a-Room (see Fig.1).

NOTE: The rear roof track is shipped in two pieces. Make sure they are butted firmly against each other and perfectly aligned when installed.

1. Mark the wall at 96" **E series**, 88" **G series** or 107" **H series** above the deck or base (1).
2. Position rear roof track (2) with the top surface at the marks.
3. Drill appropriate holes in flat section of the roof track (3) to accommodate fasteners you will use to fasten the rear track to the wall.

NOTE:

  - a) Make sure you use adequate fasteners and that they are solidly anchored into the brick wall, wall studs or wall sheeting. Fasteners should be spaced no more than 16" apart.
  - b) For best results, use flat head screws and countersink into the roof track.

# INSTALLATION

## INSTALL REAR ROOF TRACK – cont'd

- Draw a line (4) down the wall at each end of the rear roof track.  
NOTE: Line must be at 90° to the rear roof track.
- Caulk if necessary at top of rail.

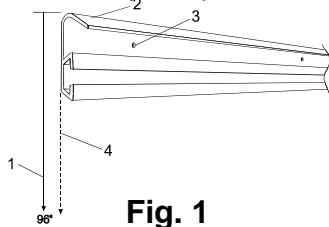


Fig. 1

## OPEN SCREEN WALL ASSEMBLY

- Stand carton containing screen panels on its end and carefully remove the screen wall assembly.  
NOTE:  
a) All screen sections are fastened together with vinyl hinges.  
b) Save carton for storing screen panels in off season.
- Stand the screen wall assembly on end near the location where it will be installed.
- Open the screen sections like an accordion to form a rough rectangle (See Fig. 2).  
NOTE:  
a) Make sure horizontal center bars on screen sections are positioned in the inside of the structure.  
b) If vinyl hinges slide up or down during handling, slide them back into position.

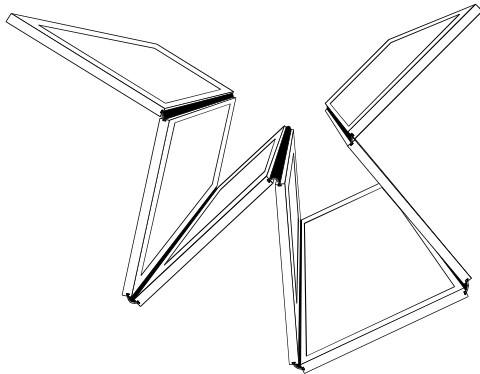


Fig. 2

## DOOR LOCATION

The Add-A-Room is shipped from the factory with the door located against the house wall (see Fig. 2 above). To change the location of the door, proceed as follows:

- Remove door frame (1) by sliding the vinyl hinge (2) upward until it is removed from the door frame (see Fig. 3).

- Remove screen section where the door frame is to be located by sliding the vinyl hinge on each side of the screen section upward until they are removed from the screen section.
- Re-install door frame section and screen sections in their new locations by re-inserting the vinyl hinges from the top.

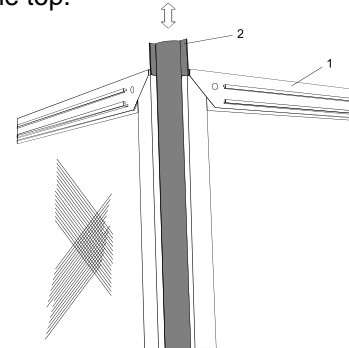


Fig. 3

## INSTALL DOOR TRACKS

- Slide the lower plastic door track (1) into slot (2) in the inside bottom section of door frame (3) (see Fig. 4).  
NOTE: Continue to slide the plastic door track through the door frame and into the slot of the adjoining screen section until the end of the door track is 5" from the edge of the door frame.
- Install the upper plastic door track into the upper section of the door frame, with the "U" section facing downward.

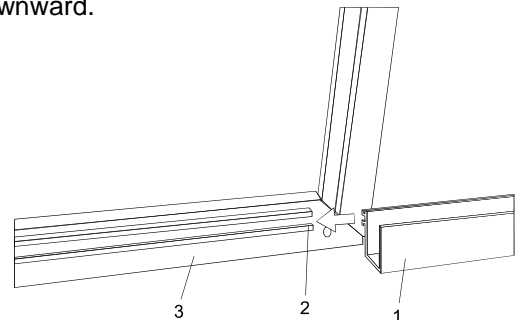


Fig. 4

## INSTALL FOAM

Install self-adhesive foam insulation (1) to inside of both vertical sections of the door frame (2) (see Fig. 5).  
NOTE: Cut foam to length to fit each vertical.

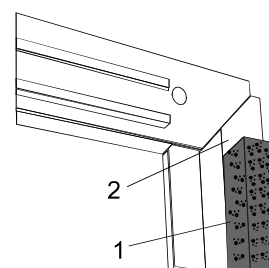


Fig. 5

# INSTALLATION

## INSTALL DOOR & HANDLES

1. Slide door (wheels down) into plastic door tracks and move it to the closed position.
2. With door fully closed, drill out center bar rivets and locate the outer door handle (1) (with a 5/32 drill bit where rivets have been removed (see Fig. 6)).  
NOTE: Door handle can be located at any height by drilling  $5/32$ " holes in the door at the desired height.
3. Install inner and outer door handles at holes (2) using two machine screws (3) and nuts (4) provided.

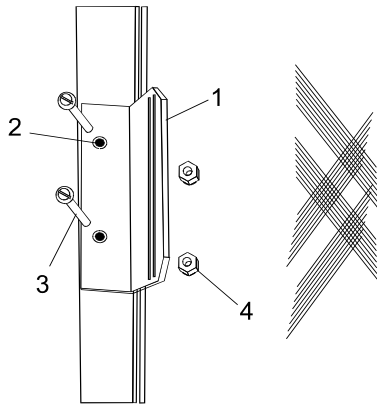


Fig. 6

## FASTEN SCREEN SECTIONS TO HOUSE

1. Complete unfolding the screen sections into a rectangle in the exact location you want to install your Add-A-Room onto the base (see Fig. 7).  
NOTE: At this point, make sure the screen sections in each wall are lined up into a straight line and that each wall is at right angles ( $90^\circ$ ) with each other.

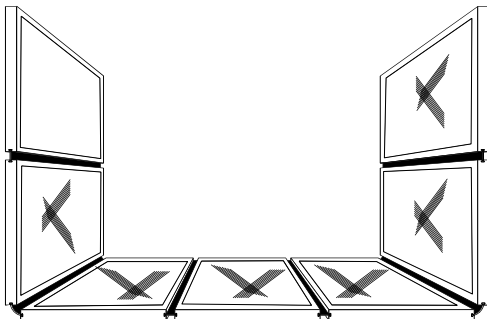


Fig. 7

2. Align the top of one wall against the house with the outside edge of the screen frame  $1\frac{1}{4}$ " inside the vertical mark on the wall (see Fig 8).
3. Slide stiffener (1) into top of wall section (2) with both holes (3) above the screen panel.
4. Drill holes in wall and anchor stiffener firmly to the wall.  
NOTE: Screws for this activity are not supplied with the kit.
5. Follow the same procedure for anchoring the second end wall to the house.  
NOTE: Make sure the outside edge of the screen frame is  $1\frac{1}{4}$ " inside the vertical mark on the wall.

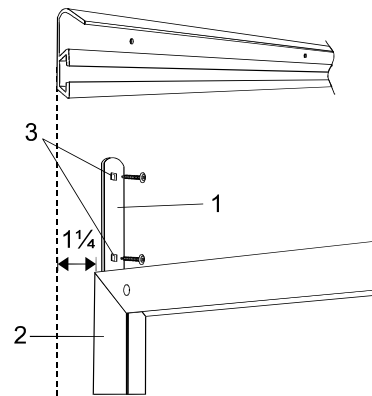


Fig. 8

## FASTEN SCREEN SECTIONS TO DECK OR BASE

1. Insert two hold down brackets (1) into the slot (2) in the bottom of each screen panel (see Fig. 9).  
NOTE: Place each hold down bracket on the inside of the screen panel and about 6" from the edge.
2. Check alignment of panels to make sure each wall is straight and that the end walls are at right angles ( $90^\circ$ ) to the house wall and  $1\frac{1}{4}$ " inside lines on wall.
3. Fasten hold down brackets to the deck or base with appropriate screws or fasteners (3) (not supplied).  
NOTE: Holes in hold down bracket are predrilled to accommodate #8 screws.

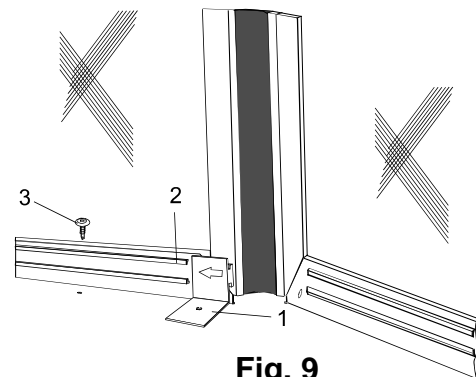


Fig. 9

# INSTALLATION

## INSTALL FRONT AND SIDE TOP EXTRUSIONS

1. Install front top extrusion (1) onto top of front screen panels (2) (see Fig. 10).  
NOTE:
  - a) The front top extrusion is shipped in one or two pieces. Make sure they are butted firmly against each other and perfectly aligned when installed.
  - b) Adjust position of extrusions to leave the same amount of overhang at each end (approximately 1¼").
2. Carefully tap extrusion from the top to make sure it is completely nested over the screen panels.  
NOTE: Use a rubber hammer or a soft block of wood to prevent damage to the extrusion.
3. Insert front rafter brackets (3) into slot in front top extrusion (4). Position rafter brackets so they are pointing upward.  
NOTE:
  - a) Use rafter brackets with **lighter** "T" section.
  - b) Position rafter brackets so they are evenly spaced.
4. Insert one finger bracket (5) into the front top extrusion at each end. Tighten into place at each end with the finger pointing downward.  
NOTE: Finger bracket must be placed inside each **end rafter bracket**.

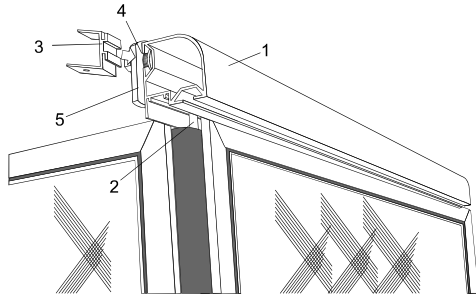


Fig. 10

5. Insert hold down brackets (6) into the slots in the top of the front screen panels (see Fig. 11).  
NOTE: Space hold down brackets evenly across the front top extrusion on the inside of the structure. If the door track interferes, place hold down brackets at each end of the door track.
6. Making sure the front top extrusion is still aligned and fully nested onto the top of the screen panels, insert self-tapping screws (8) using an electric or cordless drill and appropriate screwdriver bit. You can also drill a 1/8" hole (7) in the front top extrusion and fasten in place using the self-tapping screws (8) provided.  
NOTE: Do not over tighten the screw and strip the aluminum threads.

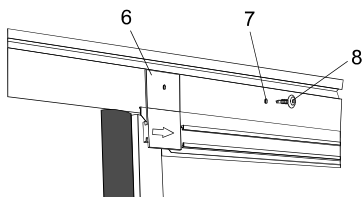


Fig. 11

7. Install side extrusions (1) onto top of screen panels (2) of each side wall (see Fig. 12).  
NOTE: Side extrusions should overhang the outside of the screen panels.
8. Carefully tap extrusion from the top to make sure it is completely nested over the screen panels and tight to the wall of the house.  
NOTE: Use a rubber hammer or a soft block of wood to prevent damage to the extrusion.
9. Making sure the side top extrusion is still aligned and fully nested onto the top of the screen panels; drill a 1/8" hole (3) in the side top extrusion and top of screen panel. Fasten in place using the self tapping screws (4) provided.  
NOTE:
  - a) Use 4 screws evenly spaced along the extrusion.
  - b) Do not over tighten the screw and strip the aluminum threads.

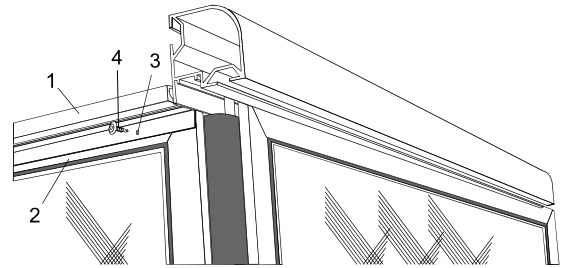


Fig. 12

## INSTALL RAFTER BRACKETS & FINGER CLIPS INTO REAR ROOF TRACK

Alternately slide one finger bracket (1) and one rear rafter bracket (2) into the slot provided in the rear roof track (see Fig. 13). Space brackets evenly along the rear roof track.

- NOTE:
- a) Use rafter brackets with **heavier** "T" section.
  - b) Make sure the rafter brackets are pointing downward.
  - c) Make sure one finger bracket is placed **inside each end rafter bracket** to prevent outer rafter from moving inward.

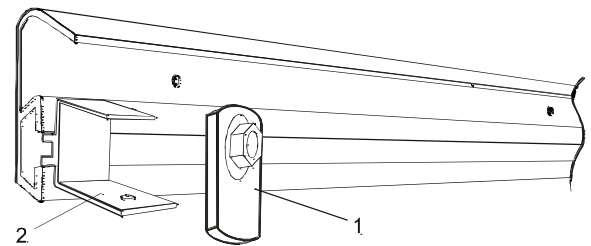


Fig. 13

# INSTALLATION

## INSTALL SQUARE ROD HOLDERS AND RODS

1. Insert square rod holders (1) into slots in the bottom of the front and side top extrusions (2) on the outside of the screen panels (3) (see Fig 14).  
NOTE: Equally space three rod holders above each screen panel and the door.
2. Insert square rods (4) into square openings (5) in the bottom of the rod holders.

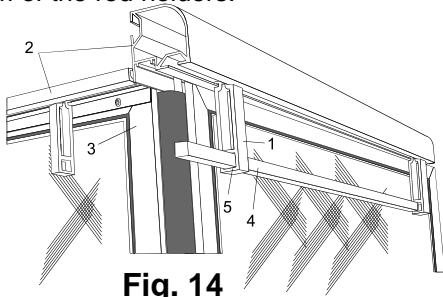


Fig. 14

## INSTALL RAFTERS

1. Insert rafter splice (1) into rafter (2) and slide the splice as far as it will go into the rafter (see Fig. 15).
2. With the slots in the rafter and splice (3) facing up, insert the end of the rafter into the front rafter bracket (4).
3. While holding the rafter firmly into the front rafter bracket, carefully slide the splice out of the rafter and into the rear rafter bracket (5).  
NOTE: Slot in splice must be facing up.
4. Carefully drill one  $\frac{1}{8}$ " hole through the bottom of the rear rafter bracket (near house) through the splice.  
NOTE: Make sure splice is fully inserted into the rafter bracket before drilling.
5. Fasten rafter bracket to splice using self-tapping screw (6).
6. Repeat steps #4 & #5 above and fasten the front rafter bracket (near screen) to the rafter.
7. Repeat steps #1 through #7 and install the balance of the rafter assemblies.  
NOTE:
  - a) When all rafter assemblies are complete, position the two end rafters directly above each end wall.
  - b) Tighten finger bracket against end rafter bracket.
  - c) Reposition the balance of the rafter assemblies so they are evenly spaced.
8. Check to make sure tops of walls are aligned.
9. Lock all rafters and splices together by drilling a  $\frac{1}{8}$ " hole (7) through both the rafter and splice and inserting self-tapping screw.

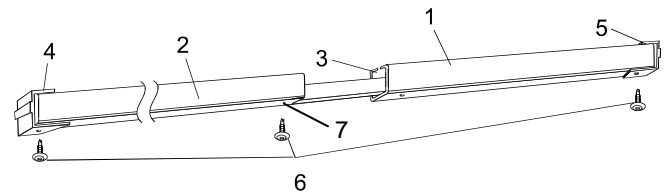


Fig. 15

## INSTALL ROOF

### ⚠ CAUTION

Do not attempt to install the roof in windy conditions as a sudden gust of wind could cause you to fall or tear the roofing material.

Read all roof installation instructions before proceeding with installation.

1. Earlier in this Owner's Manual, instructions were given to open the roof package and allow the sun to warm the vinyl to make it flexible. If this was not done, do it now and allow adequate time for the vinyl to warm. If there is not enough sunlight to warm the vinyl at this time, wait until a sunny day is available.
2. Unfold the roof fabric and lift it up over the front top extrusions and onto the rafters. Completely unfold the fabric and allow it to relax while resting on the rafters.
3. Loosen all finger brackets in the rear roof track and turn the fingers so they point downward.
4. Slide the remaining square rods (1) into the sewn-in rod pockets (2) at the rear edge of the roof fabric until they meet (see Fig. 16).  
NOTE: Make sure the edge of the rod pocket material (3) is on the under side of the roof.

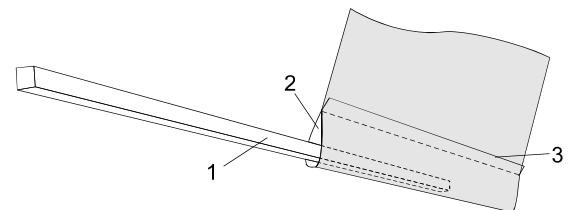


Fig. 16

5. Carefully slide the roof up the rafters until the rod pocket reaches the rear roof track.

# INSTALLATION

## INSTALL ROOF – cont'd

6. Beginning at one end, push the square rod and rod pocket (4) into the slot (5) in the upper part of the rear roof track (see Fig. 17.).

NOTE: Make sure the end of the square rod and rod pocket are to the end of the rear roof track.

7. While holding the square rod and rod pocket in the slot, carefully turn the end finger bracket (6) so it points upward to hold the rod and pocket in place. NOTE: Be careful when turning the finger bracket upward. If it is too tight while turning you will cut the fabric.

8. Complete installing the rod and pocket into the slot in the rear roof track at each finger joint as noted in #7 above.

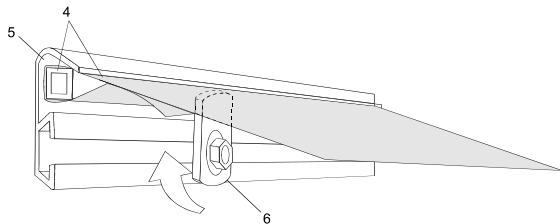


Fig. 17

9. When all finger brackets are turned up, tighten the nuts at all finger brackets using a  $\frac{9}{16}$ " wrench. NOTE: Nuts should be snug but not so tight that the finger bracket will cut the fabric.
10. Pull the roof tightly toward the front and down over the front top extrusions. NOTE: Make sure the front top and side top extrusions have no sharp edges that will cut the roof fabric. Any sharp edges should be carefully filed or sanded smooth.

## INSTALL C-CHANNEL

1. Slide aluminum C-channel (1) over the plastic bead (2) on the rear of one roof side panel (see Fig. 18).
2. Drill one hole in each end and in the center of the C-channel (3) and fasten the C-channel to the house wall using appropriate fasteners (not supplied).
3. Repeat steps #1 and #2 to install the C-channel on the second roof side panel.

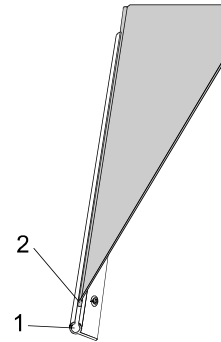


Fig. 18

## INSTALL ROOF TIE DOWN STRAPS

1. When roof fabric is tightly pulled over the top front extrusions, fasten in place using the roof tie down straps provided (see Fig. 19).

NOTE:

- a) Insert each roof tie down strap (7) under the square rod (8) and then through the gromet (9).
- b) Do not fully tighten roof tie down straps until the roof fabric has had sufficient time to stretch into place.

2. Once roof fabric has had several days to stretch into place, tighten all roof tie down straps evenly around the roof and cut off the excess tie material with scissors.

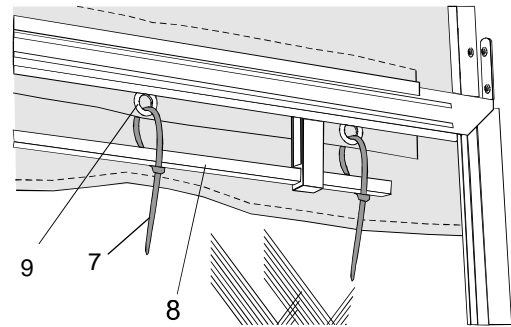


Fig. 19

## FASTEN WIND TIE-DOWN CLOSURES

On the under side of the roof, you will find two or three wind tie-downs that will fasten the roof to the rafters. Wrap these tie-downs (1) around the corresponding rafter (2) and fasten with the hook and loop closures at each end and in the middle of the tie-down (see Fig. 20).

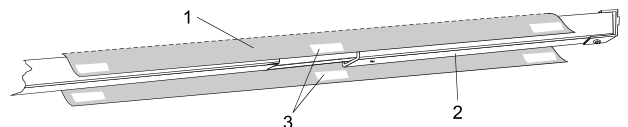


Fig. 20

# MAINTENANCE, STORING & PARTS

## MAINTENANCE

### LEAKS

NOTE: It is normal for small needle holes to be visible where vinyl has been stitched. Unlike cloth fabrics, vinyl material will not contract after being pierced with a sewing needle. Although these needle holes are so small they seldom leak, a small amount of water may leak through the small needle holes during the first several rains. However, the cotton wrapped thread that is used in the sewing process will expand when it gets wet, closing the needle holes and eliminating any leaks. If any leaks persist, simply apply a liquid sealer that is used to seal tent seams (not supplied).

### CLEANING

Clean roof using a mild detergent in water and a medium bristle brush. Rinse thoroughly after cleaning to remove all detergent residue.

## STORING

**Disassemble and store the Add-A-Room during the winter.** The Add-A-Room is not designed to withstand cold winter weather and related snow loads.

**Make sure roof is clean and dry before folding for storage.** Be absolutely sure the fabric and rib webs are completely dry before folding. Moisture will cause rot and mildew.

Disassemble the Add-A-Room by reversing the order of the "installation" steps described in this Owner's Manual.

Carefully fold screen and door sections and store them in the original shipping carton to protect them from damage.

## PARTS AVAILABILITY

### GENERAL

All replacement parts are guaranteed to be as represented. We will always do our very best to fill your parts order promptly. However, from time to time, our ability to fill your orders promptly may be beyond our control. We cannot accept liability for delays and delivery failures such as delays by carriers, accidents, strikes and any other such unavoidable causes.

We may be forced to partially fill your order and back-order the balance. Should this happen, please bear with us, we will complete your order as quickly as possible.

If it becomes necessary to supply a substitute part, we will not do so without your written approval.

### ORDERING PARTS

Orders for replacement parts may be placed by:

Telephone: (514) 276-3492

Toll Free Telephone: (800) 737-7174

Fax: (514) 276-4147

E-mail: [info@adloncoholdings.com](mailto:info@adloncoholdings.com)

Please include the following with your replacement parts order:

- Full name
- Shipping address
- Telephone number
- Part Key #
- Part #
- Part description
- Quantity of each part

Newfoundland, Nova Scotia & New Brunswick residents add H.S.T.

Quebec residents add G.S.T. and P.S.T.

Other provinces add G.S.T.

Add \$15.00 minimum or 5% of purchase order to each order for shipping and handling.

Minimum order - \$25.00

No C.O.D. shipments will be made.

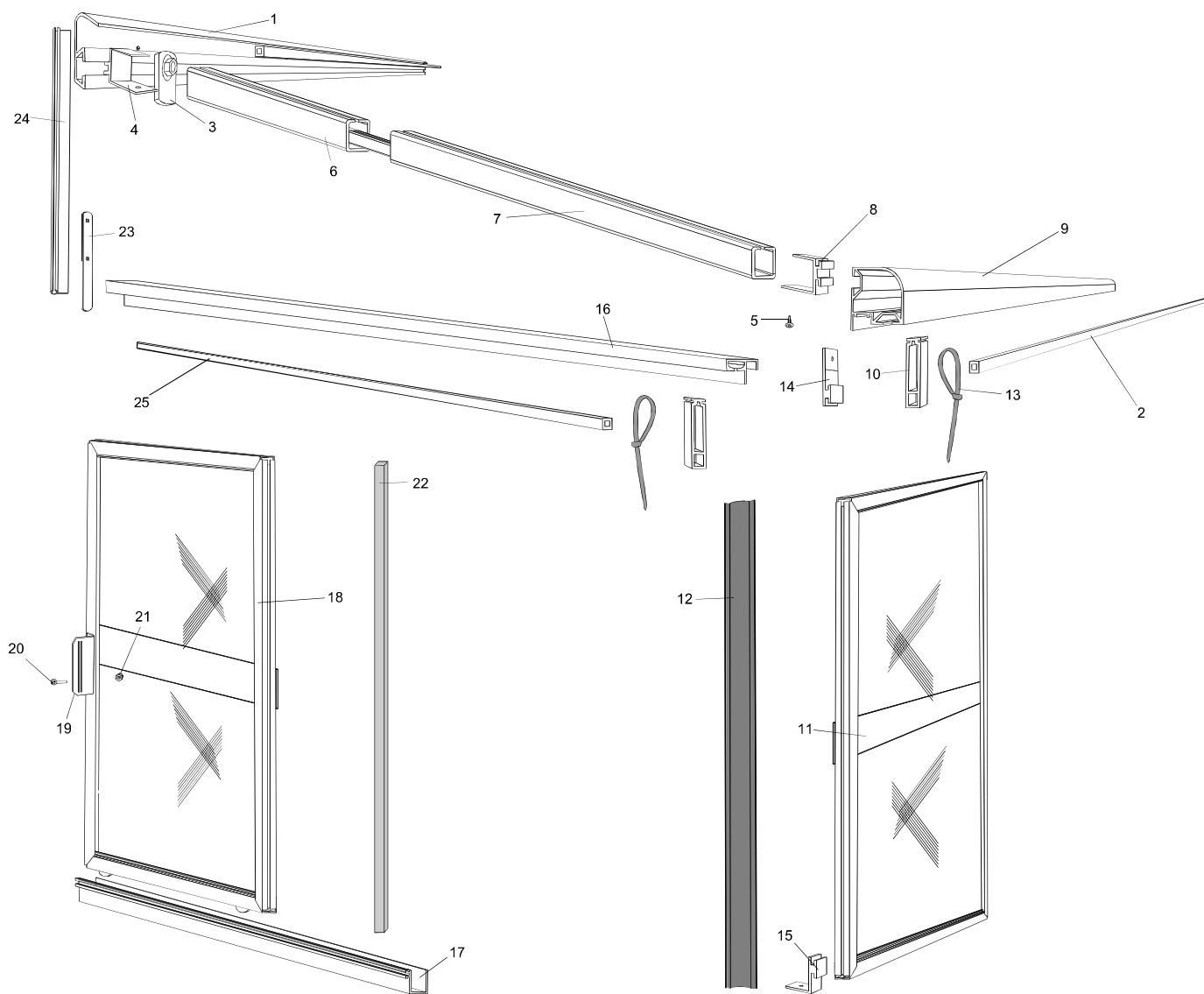
### RETURNS POLICY

No returns will be accepted for credit without prior written authorization.

All returns must be prepaid.



# REPLACEMENT PARTS



# REPLACEMENT PARTS

Key #	Part #	Description 96" at the wall	Quantity					Price
			E1107	E1508	E1809	E2210	E2611	
1	96-156	Rear Roof Track 91 1/8"		2				\$ 49.20
1	04-279	Rear Roof Track 41 1/2"					1	\$ 22.40
1	96-158	Rear Roof Track 113 1/2"			2			\$ 61.30
1	96-159	Rear Roof Track 135 7/8"				2		\$ 73.40
1	96-160	Rear Roof Track 137 1/2"	1				2	\$ 74.25
2	96-161	Square Rod 91 1/8"		4				\$ 10.90
2	96-162	Square Rod 105 1/2"					6	\$ 12.65
2	96-163	Square Rod 113 1/2"			4			\$ 13.60
2	04-280	Square Rod 135 7/8"				4		\$ 16.25
2	96-165	Square Rod 137 1/2"	2					\$ 16.65
3	94-096	Finger Clip	9	11	13	15	17	\$ 3.58
4	98-451	Rear Rafter Bracket	7	9	11	13	15	\$ 3.80
5	94-133	Self Tapping Screw	35	38	41	44	47	\$ 0.64/2
6	98-456	Rafter Splice 24"	7	9	11	13	15	\$ 75.00
7	98-455	Rafter 77 1/4"	7	9	11	13	15	\$127.50
8	98-450	Front Rafter Bracket	7	9	11	13	15	\$ 3.80
9	04-281	Front Top Extrusion 44 1/2"		1				\$ 43.60
9	04-282	Front Top Extrusion 41 1/2"					1	\$ 40.20
9	96-153	Front Top Extrusion 113 1/2"			2			\$ 111.20
9	96-154	Front Top Extrusion 135 7/8"				2		\$ 133.15
9	96-155	Front Top Extrusion 137 1/2"	1	1			2	\$ 134.75
10	94-116	Square Rod Holder	21	24	37	30	33	\$ 6.52
11	85-057	Frame with Screening	6	7	8	9	10	\$ 168.00
12	85-011	Vinyl Hinge	6	7	8	9	10	\$ 9.50
13	94-129	Roof Tie Down Strap	47	53	57	65	71	\$ 3.16/25
14	94-171	Front Top Extrusion Hold Down Bracket	4	6	8	10	12	\$ 6.40/2
15	85-008	Hold Down Bracket	12	14	16	18	20	\$ 6.30/6
16	96-348	Side Top Extrusion 86"	2	2	2	2	2	\$ 79.00
17	85-056	Plastic Door Track	2	2	2	2	2	\$ 14.20
18	85-051	Sliding Door with Screening & Wheels	1	1	1	1	1	\$ 183.80
19	85-050	Door Handle	2	2	2	2	2	\$ 5.26/2
20	85-024	Door Handle Machine Screw 1 1/4"	2	2	2	2	2	\$ 0.30/2
21	85-025	Door Handle Machine Screw Nuts	2	2	2	2	2	\$ 0.30/2
22	85-058	Weather Strip	1	1	1	1	1	\$ 6.30
23	85-020	Aluminum Stiffener	2	2	2	2	2	\$ 2.90
24	85-064	Aluminum "C" Channel 22"	2	2	2	2	2	\$ 4.20
25	96-349	Side Square Rod 89 1/2"	2	2	2	2	2	\$ 10.70
	96-E36	Roof for E1107	1					\$ 498.80
	96-E39	Roof for E1508		1				\$ 577.50
	96-E42	Roof for E1809			1			\$ 735.00
	96-E45	Roof for E2210				1		\$ 976.50
	96-E48	Roof for E2611					1	\$1129.00
<b>Additional Components Available</b>								
	85-001	Rolling Door Wheel Assembly						\$ 14.30
	85-052	Door Frame (without screen)						\$136.50
	85-014	Replacement Fiberglass 44" x 75"						\$ 16.80
	85-015	"T" Spline to retain cloth						\$ 6.30
	85-018	Replacement Fabric for privacy panel 44" (Beige)						\$ 14.80
	85-019	Replacement Fabric for privacy panel 44" (Clear)						\$ 14.80
	03-576	Replacement Fabric for privacy panel 44" (White)						\$ 14.80
	85-022	Bottom Spring for privacy panel						\$ 2.50/2
	85-023	Handle for privacy panel						\$ 5.10/2
	85-099	Replacement Privacy Panel 44" (White or Beige) 34 1/2" x 42"						\$ 50.40
	85-100	Replacement Privacy Panel for sliding door (White or Beige) 33 13/16" x 42"						\$ 50.40
	85-101	Replacement Privacy Panel 44" (Clear) 34 1/2" x 42"						\$ 50.40
	85-102	Replacement Privacy Panel for sliding door (Clear) 33 13/16" x 42"						\$ 50.40
	94-030	Bolts 3/8" and nuts						\$ 3.20/6

**PRICES SUBJECT TO CHANGE**

# REPLACEMENT PARTS

Key #	Part #	Description 88" at the wall	Quantity					Price
			G1107	G1508	G1809	G2210	G2611	
1	96-156	Rear Roof Track 91 1/8"		2				\$ 49.20
1	04-279	Rear Roof Track 41 1/2"					1	\$ 22.40
1	96-158	Rear Roof Track 113 1/2"			2			\$ 61.30
1	96-159	Rear Roof Track 135 7/8"				2		\$ 73.40
1	96-160	Rear Roof Track 137 1/2"	1				2	\$ 74.25
2	96-161	Square Rod 91 1/8"		4				\$ 10.90
2	96-162	Square Rod 105 1/2"					6	\$ 12.65
2	96-163	Square Rod 113 1/2"			4			\$ 13.60
2	04-280	Square Rod 135 7/8"				4		\$ 16.25
2	96-165	Square Rod 137 1/2"	2					\$ 16.65
3	94-096	Finger Clip	9	11	13	15	17	\$ 3.58
4	98-451	Rear Rafter Bracket	7	9	11	13	15	\$ 3.80
5	94-133	Self Tapping Screw	35	38	41	44	47	\$ 0.64/2
6	98-456	Rafter Splice 24"	7	9	11	13	15	\$ 75.00
7	04-283	Rafter 76 1/2"	7	9	11	13	15	\$ 127.50
8	98-450	Front Rafter Bracket	7	9	11	13	15	\$ 3.80
9	04-281	Front Top Extrusion 44 1/2"		1				\$ 43.60
9	04-282	Front Top Extrusion 41 1/2"					1	\$ 40.20
9	96-153	Front Top Extrusion 113 1/2"			2			\$ 111.20
9	96-154	Front Top Extrusion 135 7/8"				2		\$ 133.15
9	96-155	Front Top Extrusion 137 1/2"	1	1			2	\$ 134.75
10	94-116	Square Rod Holder	21	24	27	30	33	\$ 6.52
11	85-057	Frame with Screening	6	7	8	9	10	\$ 168.00
12	85-011	Vinyl Hinge	6	7	8	9	10	\$ 9.50
13	94-129	Roof Tie Down Strap	47	53	57	65	71	\$ 3.16/25
14	94-171	Front Top Extrusion Hold Down Bracket	4	6	8	10	12	\$ 6.40/2
15	85-008	Hold Down Bracket	12	14	16	18	20	\$ 6.30/6
16	96-348	Side Top Extrusion 86"	2	2	2	2	2	\$ 79.00
17	85-056	Plastic Door Track	2	2	2	2	2	\$ 14.20
18	85-051	Sliding Door with Screening & Wheels	1	1	1	1	1	\$ 183.80
19	85-050	Door Handle	2	2	2	2	2	\$ 5.26/2
20	85-024	Door Handle Machine Screw 1 1/4"	2	2	2	2	2	\$ 0.30/2
21	85-025	Door Handle Machine Screw Nuts	2	2	2	2	2	\$ 0.30/2
22	85-058	Weather Strip	1	1	1	1	1	\$ 6.30
23	85-020	Aluminum Stiffener	2	2	2	2	2	\$ 2.90
24	85-064	Aluminum "C" Channel 22"	2	2	2	2	2	\$ 4.20
25	96-349	Side Square Rod 89 1/2"	2	2	2	2	2	\$ 10.70
	96-G36	Roof for G1107	1					\$ 498.80
	96-G39	Roof for G1508		1				\$ 577.50
	96-G42	Roof for G1809			1			\$ 735.00
	96-G45	Roof for G2210				1		\$ 976.50
	96-G48	Roof for G2611					1	\$ 1129.00
<b>Additional Components Available</b>								
	85-001	Rolling Door Wheel Assembly						\$ 14.30
	85-052	Door Frame (without screen)						\$ 136.50
	85-014	Replacement Fiberglass 44" x 75"						\$ 16.80
	85-015	"T" Splines to retain cloth						\$ 6.30
	85-018	Replacement Fabric for privacy panel 44" (Beige)						\$ 14.80
	85-019	Replacement Fabric for privacy panel 44" (Clear)						\$ 14.80
	03-576	Replacement Fabric for privacy panel 44" (White)						\$ 14.80
	85-022	Bottom Spring for privacy panel						\$ 2.50/2
	85-023	Handle for privacy panel						\$ 5.10/2
	85-099	Replacement Privacy Panel 44" (White or Beige) 34 1/2" x 42"						\$ 50.40
	85-100	Replacement Privacy Panel for sliding door (White or Beige) 33 13/16" x 42"						\$ 50.40
	85-101	Replacement Privacy Panel 44" (Clear) 34 1/2" x 42"						\$ 50.40
	85-102	Replacement Privacy Panel for sliding door (Clear) 33 13/16" x 42"						\$ 50.40
	94-030	Bolts 3/8" and nuts						\$ 3.20/6

**PRICES SUBJECT TO CHANGE**

# REPLACEMENT PARTS

Key #	Part #	Description 107" at the wall	Quantity					Price
			H1107	H1508	H1809	H2210	H2611	
1	96-156	Rear Roof Track 91 1/8"		2				\$ 49.20
1	04-279	Rear Roof Track 41 1/2"					1	\$ 22.40
1	96-158	Rear Roof Track 113 1/2"			2			\$ 61.30
1	96-159	Rear Roof Track 135 7/8"				2		\$ 73.40
1	96-160	Rear Roof Track 137 1/2"	1				2	\$ 74.25
2	96-161	Square Rod 91 1/8"		4				\$ 10.90
2	96-162	Square Rod 105 1/2"					6	\$ 12.65
2	96-163	Square Rod 113 1/2"			4			\$ 13.60
2	04-280	Square Rod 135 7/8"				4		\$ 16.25
2	96-165	Square Rod 137 1/2"	2					\$ 16.65
3	94-096	Finger Clip	9	11	13	15	17	\$ 3.58
4	98-451	Rear Rafter Bracket	7	9	11	13	15	\$ 3.80
5	94-133	Self Tapping Screw	35	38	41	44	47	\$ 0.64/2
6	98-456	Rafter Splice 24"	7	9	11	13	15	\$ 75.00
7	04-284	Rafter 78 1/4"	7	9	11	13	15	\$127.50
8	98-450	Front Rafter Bracket	7	9	11	13	15	\$ 3.80
9	04-281	Front Top Extrusion 44 1/2"		1				\$ 43.60
9	04-282	Front Top Extrusion 41 1/2"					1	\$ 40.20
9	96-153	Front Top Extrusion 113 1/2"			2			\$ 111.20
9	96-154	Front Top Extrusion 135 7/8"				2		\$ 133.15
9	96-155	Front Top Extrusion 137 1/2"	1	1			2	\$ 134.75
10	94-116	Square Rod Holder	21	24	27	30	33	\$ 6.52
11	85-057	Frame with Screening	6	7	8	9	10	\$ 168.00
12	85-011	Vinyl Hinge	6	7	8	9	10	\$ 9.50
13	94-129	Roof Tie Down Strap	47	53	57	65	71	\$ 3.16/25
14	94-171	Front Top Extrusion Hold Down Bracket	4	6	8	10	12	\$ 6.40/2
15	85-008	Hold Down Bracket	12	14	16	18	20	\$ 6.30/6
16	96-348	Side Top Extrusion 86"	2	2	2	2	2	\$ 79.00
17	85-056	Plastic Door Track	2	2	2	2	2	\$ 14.20
18	85-051	Sliding Door with Screening & Wheels	1	1	1	1	1	\$ 183.80
19	85-050	Door Handle	2	2	2	2	2	\$ 5.26/2
20	85-024	Door Handle Machine Screw 1 1/4"	2	2	2	2	2	\$ 0.30/2
21	85-025	Door Handle Machine Screw Nuts	2	2	2	2	2	\$ 0.30/2
22	85-058	Weather Strip	1	1	1	1	1	\$ 6.30
23	85-020	Aluminum Stiffener	2	2	2	2	2	\$ 2.90
24	85-064	Aluminum "C" Channel 22"	2	2	2	2	2	\$ 4.20
25	96-349	Side Square Rod 89 1/2"	2	2	2	2	2	\$ 10.70
	96-H36	Roof for H1107	1					\$ 498.80
	96-H39	Roof for H1508		1				\$ 577.50
	96-H42	Roof for H1809			1			\$ 735.00
	96-H45	Roof for H2210				1		\$ 976.50
	96-H48	Roof for H2611					1	\$1129.00

## Additional Components Available

	85-001	Rolling Door Wheel Assembly						\$ 14.30
	85-052	Door Frame (without screen)						\$136.50
	85-014	Replacement Fiberglass 44" x 75"						\$ 16.80
	85-015	"T" Spline to retain cloth						\$ 6.30
	85-018	Replacement Fabric for privacy panel 44" (Beige)						\$ 14.80
	85-019	Replacement Fabric for privacy panel 44" (Clear)						\$ 14.80
	03-576	Replacement Fabric for privacy panel 44" (White)						\$ 14.80
	85-022	Bottom Spring for privacy panel						\$ 2.50/2
	85-023	Handle for privacy panel						\$ 5.10/2
	85-099	Replacement Privacy Panel 44" (White or Beige) 34 1/2" x 42"						\$ 50.40
	85-100	Replacement Privacy Panel for sliding door (White or Beige) 33 13/16" x 42"						\$ 50.40
	85-101	Replacement Privacy Panel 44" (Clear) 34 1/2" x 42"						\$ 50.40
	85-102	Replacement Privacy Panel for sliding door (Clear) 33 13/16" x 42"						\$ 50.40
	94-030	Bolts 3/8" and nuts						\$ 3.20/6

## PRICES SUBJECT TO CHANGE