

## SPECIFICATIONS

### SHERIDAN™ TWO HANDLE BAR & CONVENIENCE FAUCET

**Model**

D153555 (Replaces D153055 series)

**Description**

- Ceramic disc valve
- 11" high swivel spout, 5 1/4" spout length
- 2 hole mount

**Standards**



- NSF 61-9
- Energy Policy Act of 1992



- ASME A112.18.1M/A112.18.1
- NSF/ANSI 372
- CSA B125.1

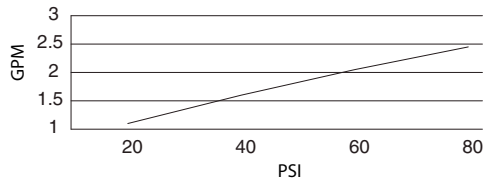


- ADA Accessibility Guidelines for Buildings and Facilities - 4.27.4 Controls and Mechanisms

**Warranty**

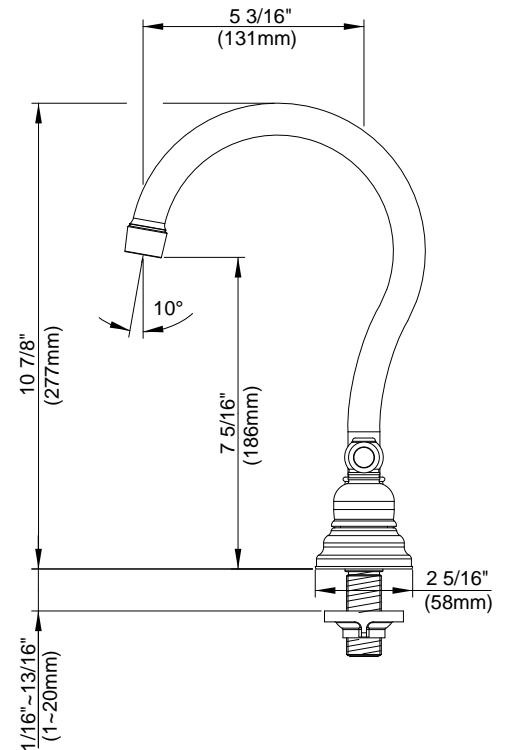
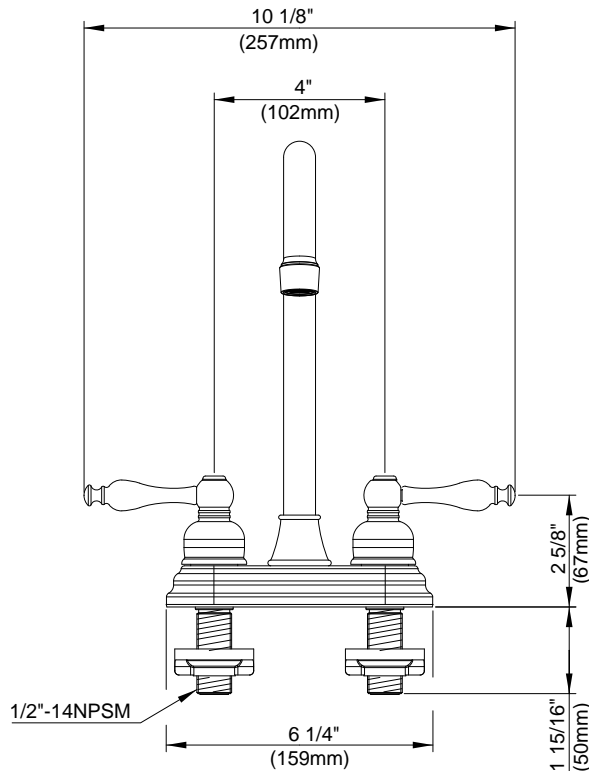
Danze products are covered by a manufacturer's limited "lifetime" warranty for manufacturing defects.

**Flow Rate**



**Finishes Available**

- Chrome
- Other: Refer to Price List for additional finish



**Submittal Information:**

Job Name: \_\_\_\_\_  
 Contractor: \_\_\_\_\_

Location: \_\_\_\_\_  
 Contact #: \_\_\_\_\_