

**SPECIFICATIONS**

**SIRIUS™ SINGLE HANDLE PRESSURE BALANCE TUB & SHOWER FAUCET**

**Model**

D500044

**Description**

- Single handle with custom brass 6" thin profile showerhead
- 15" shower arm
- Diverter on valve (Tub & Shower only)
- Back to back installation capabilities

**Standards**



- UPC/cUPC
- Energy policy act of 1992

MEETS ASME A112.18.1

- ASME A112.18.1



- CSA B125

MEETS ASSE 1016

- ASSE 1016

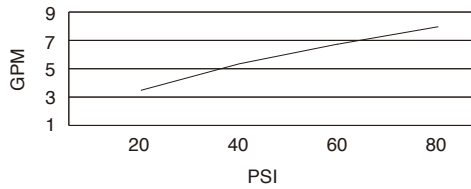


- ADA Accessibility Guidelines for Buildings and Facilities - 4.27.4 Controls and Mechanisms

**Warranty**

Danze products are covered by a manufacturer's limited "lifetime" warranty for manufacturing defects.

**Flow Rate**



**Trim Kits:**

(for use w/pressure balance valves)

- D500044T (Tub/Shower trim)
- D500544T (Shower only trim)
- D500644T (Tub trim w/valve escutcheon) ▲
- D500444T (Valve only escutcheon trim w/diverter)
- D510444T (Valve only escutcheon trim w/o diverter)

**Special Packaging**

- This product also available with valve packaged separate from trim.
- Tub & Shower and Valve Only Escutcheon w/ Diverter Trim Kit - use w/valve: D113000BT (w/diverter & stops)
- Shower Only & Tub & Valve Only Escutcheon w/o Diverter Trim Kit - use w/valve: D112000BT (w/stops) or D115000BT (w/o stops)
- Pressure Balance Valves are combination 1/2" copper sweat, 1/2" NPT threaded connectors for all ports.

▲ Will be discontinued, limited stock available

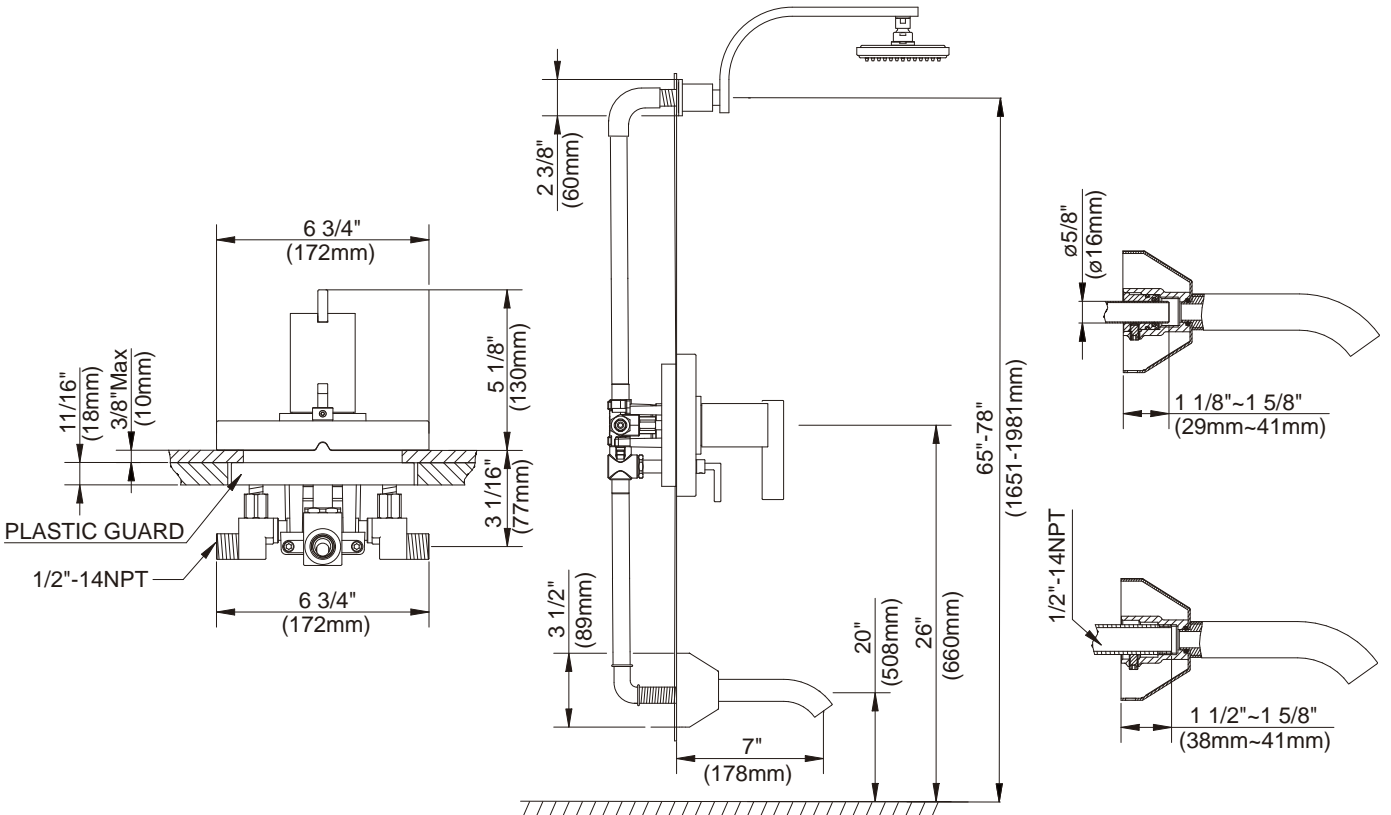


**Finishes Available**

- Chrome
- Other: Refer to Price List for additional finish

**With Diverter & Stops:**  
d500044 (Tub/Shower)

**With Stops:**  
d500544 (Shower only)



**Submittal Information:**

Job Name: \_\_\_\_\_  
Contractor: \_\_\_\_\_

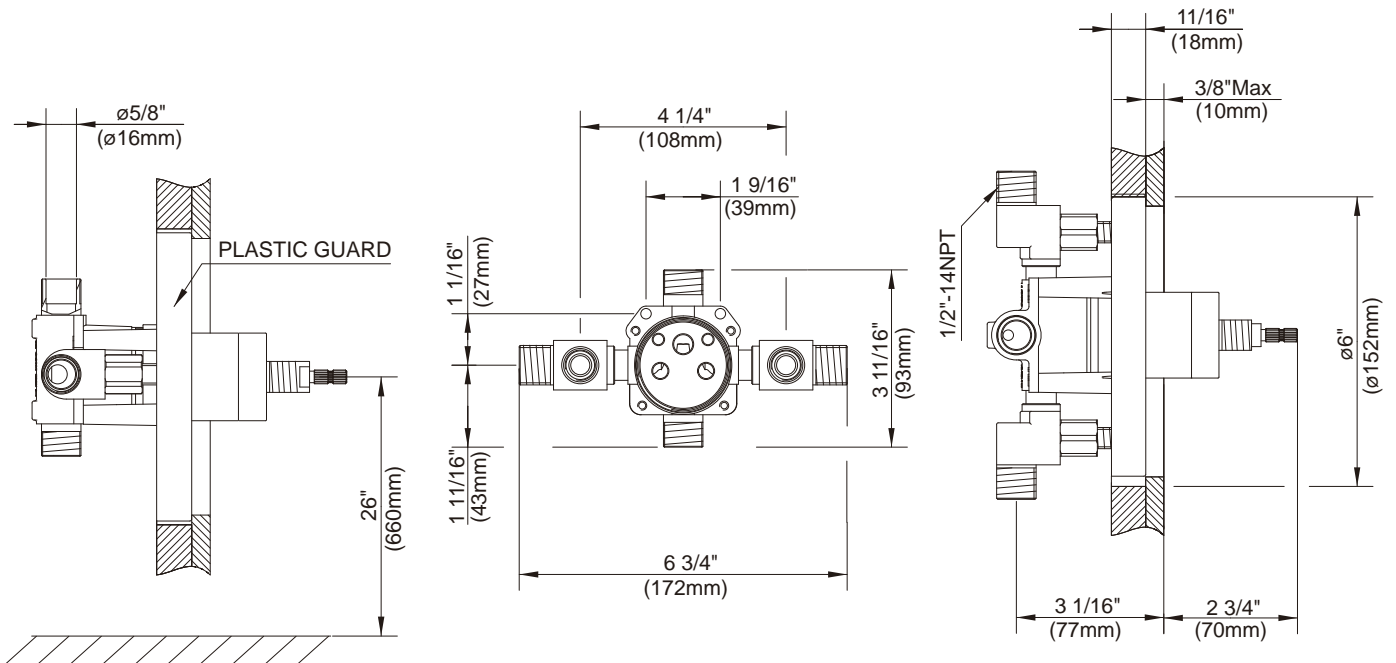
Location: \_\_\_\_\_  
Contact #: \_\_\_\_\_

## SPECIFICATIONS

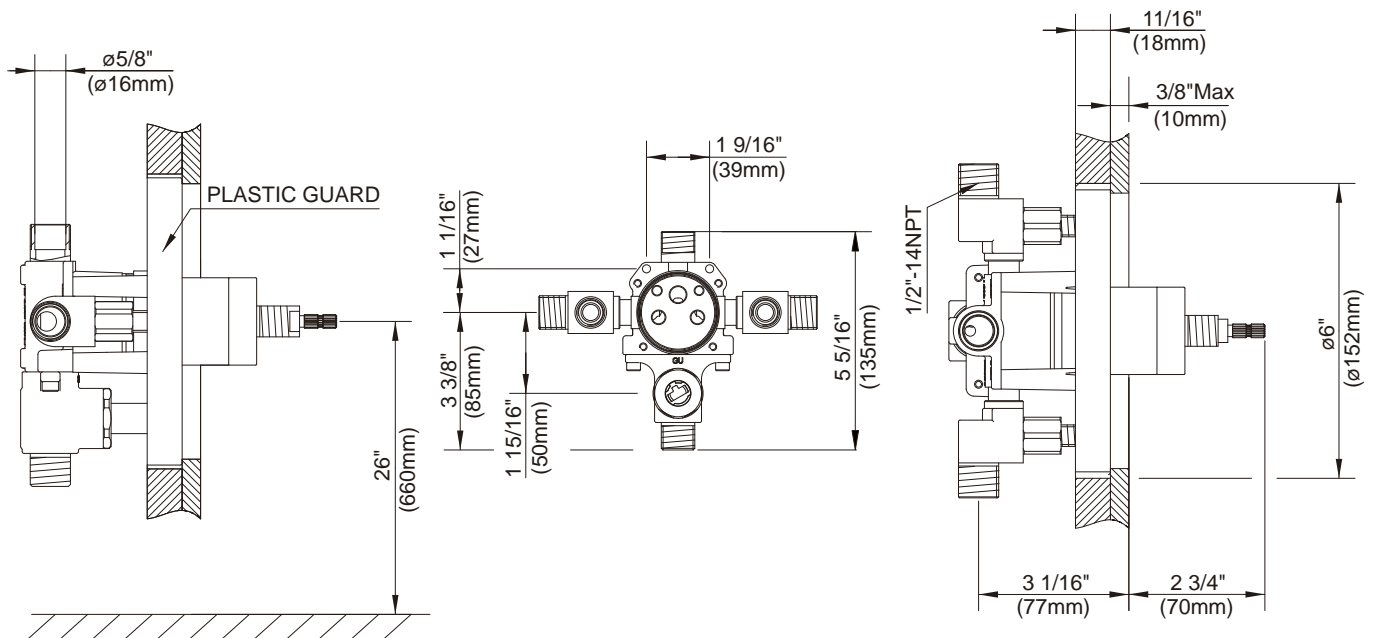
### SIRIUS™ SINGLE HANDLE PRESSURE BALANCE TUB & SHOWER FAUCET

Critical Dimensions : Rough-in valve D112000BT (w/stops) & D113000BT (w/diverter & stops)

#### W/SCREWDRIVER STOPS



#### W/DIVERTER & STOPS



**Submittal Information:**

Job Name: \_\_\_\_\_

Location: \_\_\_\_\_

Contractor: \_\_\_\_\_

Contact #: \_\_\_\_\_