

SINGLE HANDLE 3/4" THERMOSTATIC VALVE


Description

- 4-port thermostatic valve with isolation stops, duplicate filters, high flow rate
- Scald protection, meets ASSE 1016, with temperature limit stop
- Controls temperature
- Matching collection trim included
- Requires separate shut off / volume control valve
- 3/4" FIP inlets and outlets

Flow & Valving

- See Chart

Standards

- ASME A112.18.1
- CSA B125
- ASME 1016
- Listed IAPMO/UPC
- ADA Accessibility Guidelines for Buildings and Facilities - 4.27.4 Controls and Mechanisms 

Warranty

Danze products are covered by a manufacturer's limited "lifetime" warranty for manufacturing defects.



D562044
SIRIUS™



Available Colors & Finish

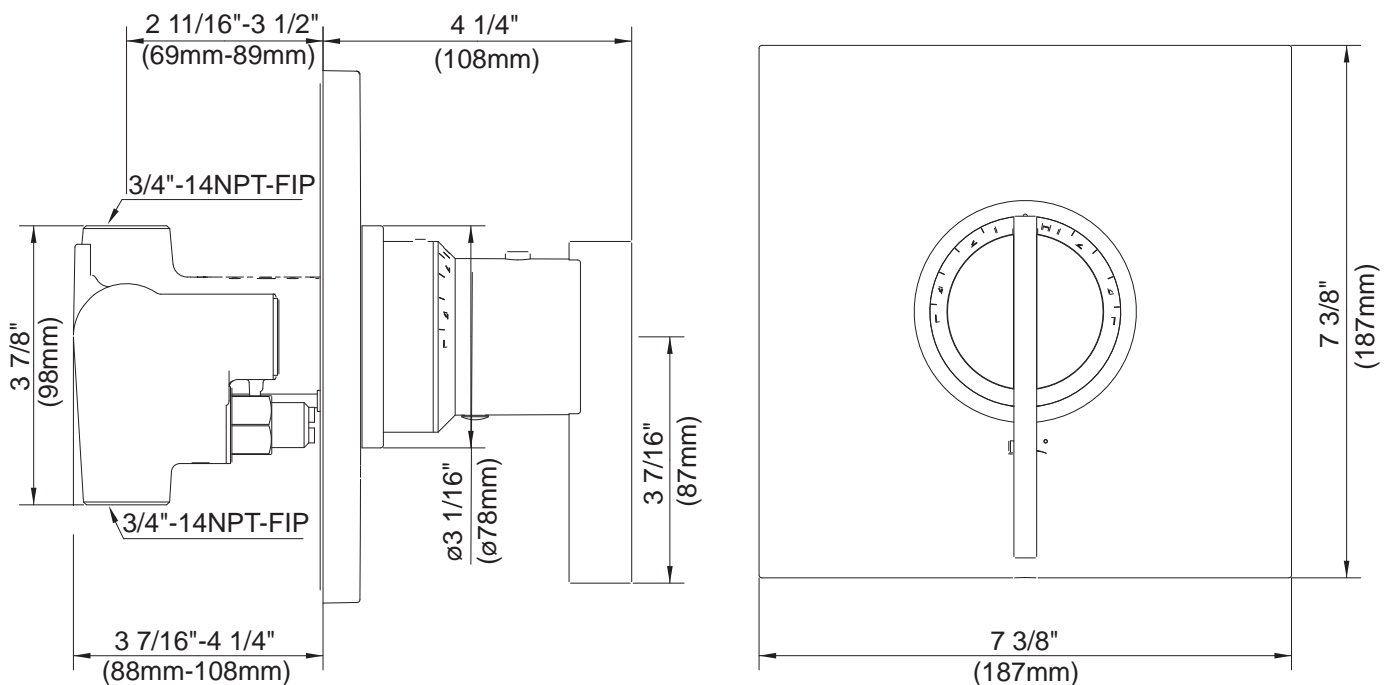
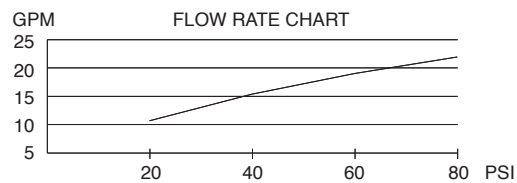
- Chrome
- Brushed Nickel (BN)

Trim Kit:

(for use w/ 1 handle 3/4" thermostatic shower valve)
D562044T

Special Packaging

- Model numbers for trim kit items include the suffix "T"



Specific Features: _____ Submitted Model No.: _____

SD562044/08-08.02