

SPECIFICATIONS

PRINCE™ SINGLE HANDLE LAVATORY FAUCET

Model

D236010

Description

- Ceramic disc valve
- 4 ½" high spout, 4 ½" spout length, laminar flow
- Metal touch down drain assembly
- Single hole mount with optional deck plate
- Flow rate: 1.5 gpm @ 60 psi

Standards



- UPC/cUPC
- NSF 61-9
- Energy Policy Act of 1992



- ASME A112.18.1



Less than 0.25% lead content

- Meets CA AB-1953

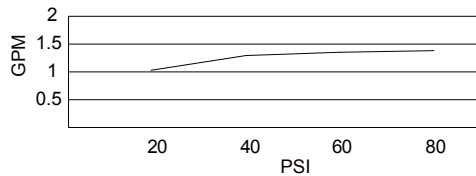


- ADA Accessibility Guidelines for Buildings and Facilities - 4.27.4 Controls and Mechanisms

Warranty

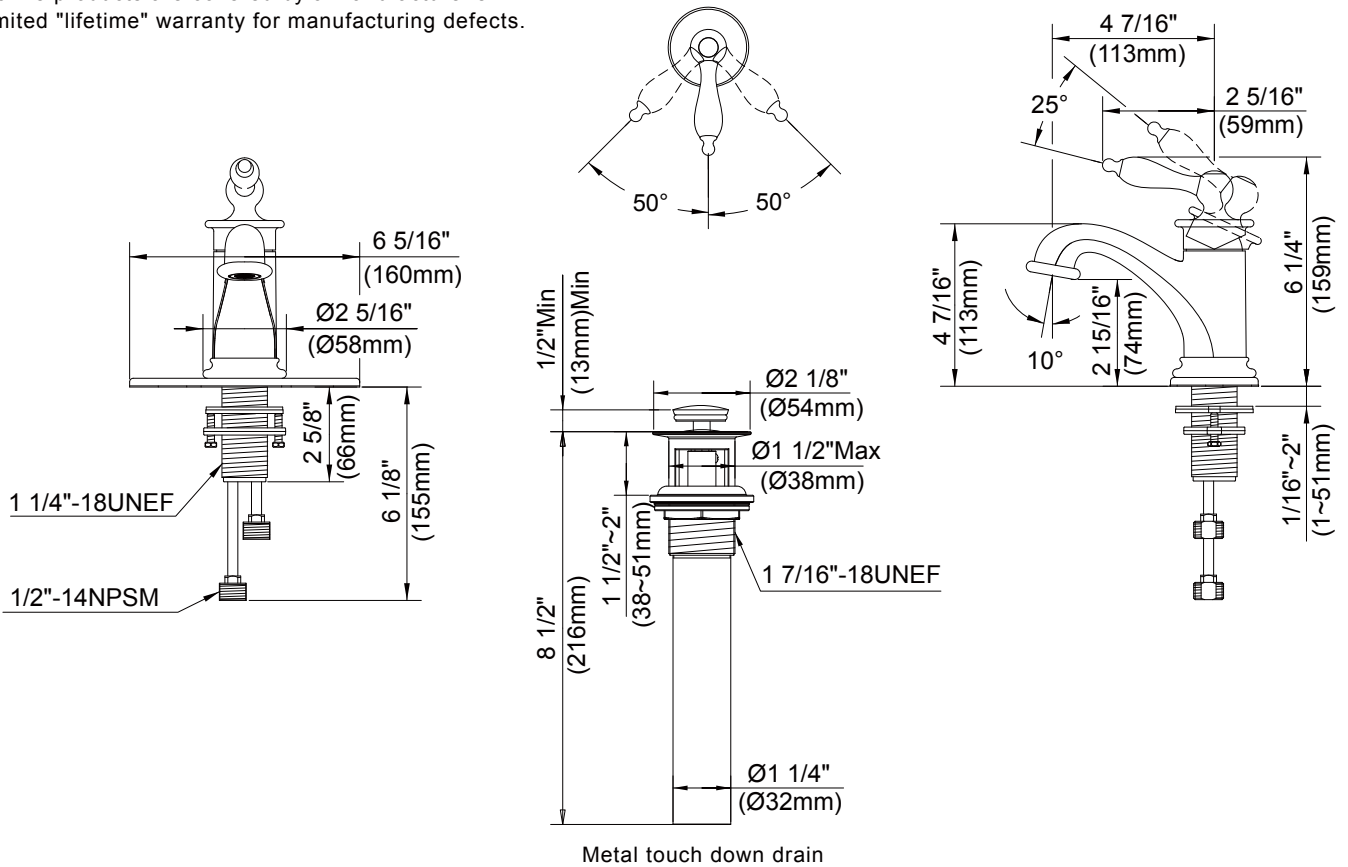
Danze products are covered by a manufacturer's limited "lifetime" warranty for manufacturing defects.

Flow Rate



Finishes Available

- Chrome
- Other: Refer to Price List for additional finish



Metal touch down drain

Submittal Information:

Job Name: _____
 Contractor: _____

Location: _____
 Contact #: _____